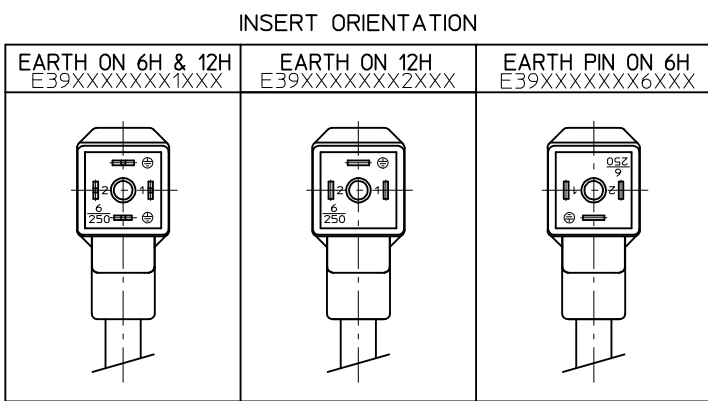
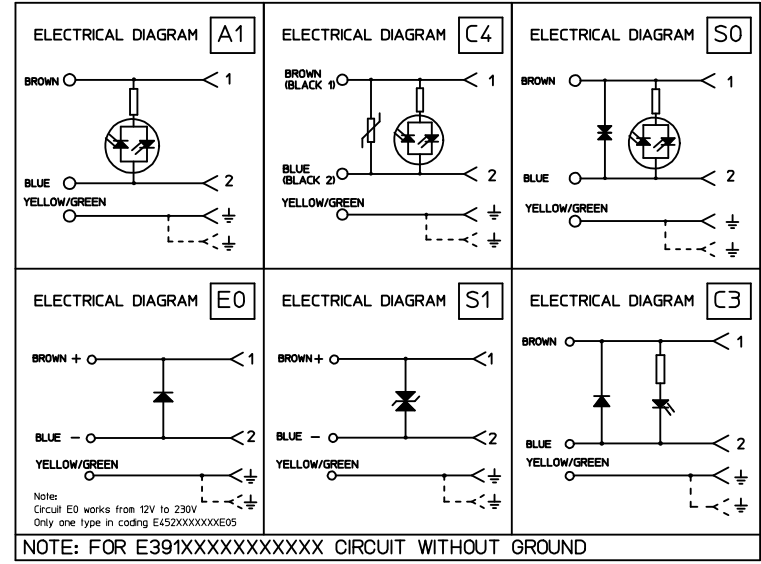


LENGTH SEE SHEET 2



**WIRING CONFIGURATION**



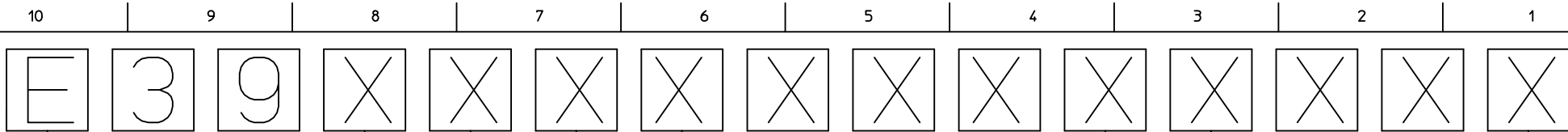
**Table of length tolerances [mm]**

| Over  | Up to and including | Tolerance (+) |
|-------|---------------------|---------------|
| 0     | 1000                | ±20           |
| 1000  | 3000                | ±30           |
| 3000  | 5000                | ±40           |
| 5000  | 10000               | ±50           |
| 10000 | 15000               | ±100          |
| 15000 | 20000               | ±150          |
| 20000 |                     | ±L/100        |

| <p><b>ORIGINAL RELEASE</b><br/>IEC NO: IPG2013-1498<br/>DRWN: JMARSZALEK 2013/03/27<br/>CHKD: HDYSZEWSKA 2013/03/27<br/>APPR: MIWASIECZKO 2013/03/28</p> | <p>QUALITY SYMBOLS</p> <p>▽ = 0<br/>◻ = 0</p> | <p>GENERAL TOLERANCES (UNLESS SPECIFIED)</p> <table border="1" style="width: 100%; text-align: center;"> <thead> <tr> <th></th> <th>mm</th> <th>INCH</th> </tr> </thead> <tbody> <tr><td>4 PLACES</td><td>±---</td><td>±---</td></tr> <tr><td>3 PLACES</td><td>±---</td><td>±---</td></tr> <tr><td>2 PLACES</td><td>±---</td><td>±---</td></tr> <tr><td>1 PLACE</td><td>±---</td><td>±---</td></tr> <tr><td>0 PLACE</td><td>±---</td><td>±---</td></tr> </tbody> </table> |      | mm   | INCH                               | 4 PLACES | ±--- | ±--- | 3 PLACES | ±--- | ±--- | 2 PLACES | ±--- | ±--- | 1 PLACE | ±--- | ±--- | 0 PLACE | ±--- | ±--- | <p>DIMENSION STYLE</p> <p><b>MM ONLY</b></p> <table border="1" style="width: 100%; text-align: center;"> <thead> <tr> <th>DRAWN BY</th> <th>DATE</th> </tr> </thead> <tbody> <tr><td>JMARSZALEK</td><td>2012/11/28</td></tr> <tr> <th>CHECKED BY</th> <th>DATE</th> </tr> <tr><td>MSZWAJKOWSKI</td><td>2012/11/28</td></tr> <tr> <th>APPROVED BY</th> <th>DATE</th> </tr> <tr><td>MIWASIECZKO</td><td>2013/02/12</td></tr> </tbody> </table> | DRAWN BY | DATE | JMARSZALEK | 2012/11/28 | CHECKED BY | DATE | MSZWAJKOWSKI | 2012/11/28 | APPROVED BY | DATE | MIWASIECZKO | 2013/02/12 | <p>SCALE</p> <p>DESIGN UNITS</p> <p><b>METRIC</b></p> | <p>FIRST ANGLE PROJECTION</p> |
|--|---|---|------|--|------------------------------------|----------|------|------|----------|------|------|----------|------|------|---------|------|------|---------|------|------|--|----------|------|------------|------------|------------|------|--------------|------------|-------------|------|-------------|------------|---|-------------------------------|
|  |   | mm  | INCH |  |                                    |          |      |      |          |      |      |          |      |      |         |      |      |         |      |      |  |          |      |            |            |            |      |              |            |             |      |             |            |   |                               |
|  | 4 PLACES                                      | ±---  | ±--- |  |                                    |          |      |      |          |      |      |          |      |      |         |      |      |         |      |      |  |          |      |            |            |            |      |              |            |             |      |             |            |   |                               |
|  | 3 PLACES                                      | ±---  | ±--- |  |                                    |          |      |      |          |      |      |          |      |      |         |      |      |         |      |      |  |          |      |            |            |            |      |              |            |             |      |             |            |   |                               |
| 2 PLACES   | ±---  | ±---  |      |  |                                    |          |      |      |          |      |      |          |      |      |         |      |      |         |      |      |  |          |      |            |            |            |      |              |            |             |      |             |            |   |                               |
| 1 PLACE  | ±---  | ±---  |      |  |                                    |          |      |      |          |      |      |          |      |      |         |      |      |         |      |      |  |          |      |            |            |            |      |              |            |             |      |             |            |   |                               |
| 0 PLACE  | ±---  | ±---  |      |  |                                    |          |      |      |          |      |      |          |      |      |         |      |      |         |      |      |  |          |      |            |            |            |      |              |            |             |      |             |            |   |                               |
| DRAWN BY   | DATE  |   |      |  |                                    |          |      |      |          |      |      |          |      |      |         |      |      |         |      |      |  |          |      |            |            |            |      |              |            |             |      |             |            |   |                               |
| JMARSZALEK   | 2012/11/28                                    |   |      |  |                                    |          |      |      |          |      |      |          |      |      |         |      |      |         |      |      |  |          |      |            |            |            |      |              |            |             |      |             |            |   |                               |
| CHECKED BY   | DATE  |   |      |  |                                    |          |      |      |          |      |      |          |      |      |         |      |      |         |      |      |  |          |      |            |            |            |      |              |            |             |      |             |            |   |                               |
| MSZWAJKOWSKI   | 2012/11/28                                    |   |      |  |                                    |          |      |      |          |      |      |          |      |      |         |      |      |         |      |      |  |          |      |            |            |            |      |              |            |             |      |             |            |   |                               |
| APPROVED BY  | DATE  |   |      |  |                                    |          |      |      |          |      |      |          |      |      |         |      |      |         |      |      |  |          |      |            |            |            |      |              |            |             |      |             |            |   |                               |
| MIWASIECZKO  | 2013/02/12                                    |   |      |  |                                    |          |      |      |          |      |      |          |      |      |         |      |      |         |      |      |  |          |      |            |            |            |      |              |            |             |      |             |            |   |                               |
|  |   |   |      | <p><b>E39XXXXXXXXXXXXX</b><br/><b>DIN FORM MICRO</b></p> |                                    |          |      |      |          |      |      |          |      |      |         |      |      |         |      |      |  |          |      |            |            |            |      |              |            |             |      |             |            |   |                               |
|  |   |   |      | <p><b>molex</b></p>                                      |                                    |          |      |      |          |      |      |          |      |      |         |      |      |         |      |      |  |          |      |            |            |            |      |              |            |             |      |             |            |   |                               |
|  |   |   |      | <p>DOCUMENT NO.<br/><b>SD-121050-007</b></p>             | <p>SHEET NO.<br/><b>1 OF 4</b></p> |          |      |      |          |      |      |          |      |      |         |      |      |         |      |      |  |          |      |            |            |            |      |              |            |             |      |             |            |   |                               |

DRAFT WHERE APPLICABLE MUST REMAIN WITHIN DIMENSIONS

THIS DRAWING CONTAINS INFORMATION THAT IS PROPRIETARY TO MOLEX INCORPORATED AND SHOULD NOT BE USED WITHOUT WRITTEN PERMISSION



E - Packing without bags  
 W - Single packing  
 Q - Quick packing

NUMBER OF WIRES:  
 1=2 WIRES  
 2=2 WIRES + EARTH  
 3=3 WIRES + EARTH

CABLE TYPE  
 SEE SHEET 3 - TABLE 1

CABLE CROSS SECTION AREA  
 SEE SHEET 3 - TABLE 2

HEAD COLOUR:  
 G=GREY;  
 N=BLACK;  
 T=TRANSPARENT;  
 A=CSA-UL BLACK;  
 B=CSA-UL GREY.

CABLE LENGTH IN CM  
 Eg.:050-50 CM, 300-300 CM, 10K=1000 CM.

EARTH PIN LOCATION (SEE INSERT ORIENTATION TABLE):  
 1=DOUBLE EARTH ON 6H AND 12H,  
 2=EARTH ON 12H,  
 6=EARTH ON 6H.

TYPE OF GASKET AND SCREW:  
 1=NBR PROFILE GASKET+FIXING SCREWS (M3x20 mm).  
 2=NBR FLAT GASKET+SCREW (M3x20 mm).  
 3=SILICONE PROFILE GASKET+SCREW (M3x20 mm).  
 4=SILICON FLAT GASKET+SCREW (M3x20 mm).  
 T=NBR PROFILE GASKET+GROMMET+SCREW (M3x20 mm).

INTERNAL CIRCUIT  
 WIRING CONFIGURATION

VOLTAGE AND LED COLOUR:

|         |         |         |
|---------|---------|---------|
| 1= 12V  | A= 12V  | G= 12V  |
| 2= 24V  | B= 24V  | H= 24V  |
| 3= 48V  | C= 48V  | K= 48V  |
| 4= 115V | D= 115V | L= 115V |
| 5= 230V | E= 230V | M= 230V |

RED LED      GREEN LED      YELLOW LED

| ORIGINAL RELEASE<br>EC NO: IPG2013-1498<br>DRWN: JMARSZALEK 2013/03/27<br>CHKD: MDYSZEWSKA 2013/03/27<br>APPR: MIWASIECZKO 2013/03/28 | QUALITY SYMBOLS                                      | GENERAL TOLERANCES (UNLESS SPECIFIED)   | DIMENSION STYLE<br>MM ONLY | SCALE<br>1:1  | DESIGN UNITS<br>METRIC | FIRST ANGLE PROJECTION |       |       |          |       |       |          |       |       |         |       |       |         |       |       |   |          |      |       |            |            |                                    |            |      |  |              |            |  |             |      |  |             |            |  |  |  |  |
|---|--|---|----------------------------|---|------------------------|------------------------|-------|-------|----------|-------|-------|----------|-------|-------|---------|-------|-------|---------|-------|-------|---|----------|------|-------|------------|------------|------------------------------------|------------|------|--|--------------|------------|--|-------------|------|--|-------------|------------|--|--|--|--|
|   | =0<br>=0   | <table border="1"> <thead> <tr> <th></th> <th>mm</th> <th>INCH</th> </tr> </thead> <tbody> <tr> <td>4 PLACES</td> <td>± ---</td> <td>± ---</td> </tr> <tr> <td>3 PLACES</td> <td>± ---</td> <td>± ---</td> </tr> <tr> <td>2 PLACES</td> <td>± ---</td> <td>± ---</td> </tr> <tr> <td>1 PLACE</td> <td>± ---</td> <td>± ---</td> </tr> <tr> <td>0 PLACE</td> <td>± ---</td> <td>± ---</td> </tr> </tbody> </table> |                            | mm  | INCH                   | 4 PLACES               | ± --- | ± --- | 3 PLACES | ± --- | ± --- | 2 PLACES | ± --- | ± --- | 1 PLACE | ± --- | ± --- | 0 PLACE | ± --- | ± --- | <table border="1"> <thead> <tr> <th>DRAWN BY</th> <th>DATE</th> <th>TITLE</th> </tr> </thead> <tbody> <tr> <td>JMARSZALEK</td> <td>2012/11/28</td> <td>E39XXXXXXXXXXXXX<br/>DIN FORM MICRO</td> </tr> <tr> <td>CHECKED BY</td> <td>DATE</td> <td></td> </tr> <tr> <td>MSZWAJKOWSKI</td> <td>2012/11/28</td> <td></td> </tr> <tr> <td>APPROVED BY</td> <td>DATE</td> <td></td> </tr> <tr> <td>MIWASIECZKO</td> <td>2013/02/12</td> <td></td> </tr> </tbody> </table> | DRAWN BY | DATE | TITLE | JMARSZALEK | 2012/11/28 | E39XXXXXXXXXXXXX<br>DIN FORM MICRO | CHECKED BY | DATE |  | MSZWAJKOWSKI | 2012/11/28 |  | APPROVED BY | DATE |  | MIWASIECZKO | 2013/02/12 |  |  |  |  |
|   |  | mm  | INCH                       |   |                        |                        |       |       |          |       |       |          |       |       |         |       |       |         |       |       |   |          |      |       |            |            |                                    |            |      |  |              |            |  |             |      |  |             |            |  |  |  |  |
|   | 4 PLACES   | ± ---   | ± ---                      |   |                        |                        |       |       |          |       |       |          |       |       |         |       |       |         |       |       |   |          |      |       |            |            |                                    |            |      |  |              |            |  |             |      |  |             |            |  |  |  |  |
|   | 3 PLACES   | ± ---   | ± ---                      |   |                        |                        |       |       |          |       |       |          |       |       |         |       |       |         |       |       |   |          |      |       |            |            |                                    |            |      |  |              |            |  |             |      |  |             |            |  |  |  |  |
| 2 PLACES  | ± ---  | ± ---   |                            |   |                        |                        |       |       |          |       |       |          |       |       |         |       |       |         |       |       |   |          |      |       |            |            |                                    |            |      |  |              |            |  |             |      |  |             |            |  |  |  |  |
| 1 PLACE   | ± ---  | ± ---   |                            |   |                        |                        |       |       |          |       |       |          |       |       |         |       |       |         |       |       |   |          |      |       |            |            |                                    |            |      |  |              |            |  |             |      |  |             |            |  |  |  |  |
| 0 PLACE   | ± ---  | ± ---   |                            |   |                        |                        |       |       |          |       |       |          |       |       |         |       |       |         |       |       |   |          |      |       |            |            |                                    |            |      |  |              |            |  |             |      |  |             |            |  |  |  |  |
| DRAWN BY  | DATE   | TITLE   |                            |   |                        |                        |       |       |          |       |       |          |       |       |         |       |       |         |       |       |   |          |      |       |            |            |                                    |            |      |  |              |            |  |             |      |  |             |            |  |  |  |  |
| JMARSZALEK  | 2012/11/28   | E39XXXXXXXXXXXXX<br>DIN FORM MICRO  |                            |   |                        |                        |       |       |          |       |       |          |       |       |         |       |       |         |       |       |   |          |      |       |            |            |                                    |            |      |  |              |            |  |             |      |  |             |            |  |  |  |  |
| CHECKED BY  | DATE   |   |                            |   |                        |                        |       |       |          |       |       |          |       |       |         |       |       |         |       |       |   |          |      |       |            |            |                                    |            |      |  |              |            |  |             |      |  |             |            |  |  |  |  |
| MSZWAJKOWSKI  | 2012/11/28   |   |                            |   |                        |                        |       |       |          |       |       |          |       |       |         |       |       |         |       |       |   |          |      |       |            |            |                                    |            |      |  |              |            |  |             |      |  |             |            |  |  |  |  |
| APPROVED BY   | DATE   |   |                            |   |                        |                        |       |       |          |       |       |          |       |       |         |       |       |         |       |       |   |          |      |       |            |            |                                    |            |      |  |              |            |  |             |      |  |             |            |  |  |  |  |
| MIWASIECZKO   | 2013/02/12   |   |                            |   |                        |                        |       |       |          |       |       |          |       |       |         |       |       |         |       |       |   |          |      |       |            |            |                                    |            |      |  |              |            |  |             |      |  |             |            |  |  |  |  |
|   | ANGULAR ± --- °                                      | MATERIAL NO.  |                            |   |                        |                        |       |       |          |       |       |          |       |       |         |       |       |         |       |       |   |          |      |       |            |            |                                    |            |      |  |              |            |  |             |      |  |             |            |  |  |  |  |
|   | DRAFT WHERE APPLICABLE MUST REMAIN WITHIN DIMENSIONS | SEE SHEET 2&3   |                            |   |                        |                        |       |       |          |       |       |          |       |       |         |       |       |         |       |       |   |          |      |       |            |            |                                    |            |      |  |              |            |  |             |      |  |             |            |  |  |  |  |
|   |  |   | SIZE<br>A3                 | THIS DRAWING CONTAINS INFORMATION THAT IS PROPRIETARY TO MOLEX INCORPORATED AND SHOULD NOT BE USED WITHOUT WRITTEN PERMISSION |                        |                        |       |       |          |       |       |          |       |       |         |       |       |         |       |       |   |          |      |       |            |            |                                    |            |      |  |              |            |  |             |      |  |             |            |  |  |  |  |

TABLE 2 - CABLES

| Molex PN   | ImPm | Code | Wires | Cross Section | Material             | Color        | Diameter Ø     | DIN A-B | DIN C |
|------------|------|------|-------|---------------|----------------------|--------------|----------------|---------|-------|
| 1210180080 | I    | 0    | 3     | 1 mm2         | PVC CEI 2022 II O.R. | Grey RAL7035 | 6,4±0,2 mm     | OK.     | -     |
| 1210180467 | A    | 2    | 2     | 20 AWG        | PVC CSA/UL 2661      | Black        | 5,4±0,2 mm     | OK.     | OK.   |
| 1210180128 | A    | 2    | 3     | 20 AWG        | PVC CSA/UL 2661      | Black        | 5,6±0,2 mm     | OK.     | OK.   |
| 1210180394 | A    | 2    | 4     | 20 AWG        | PVC CSA/UL 2661      | Black        | 6,2±0,25 mm    | OK.     | OK.   |
| -          | A    | 2    | 5     | 20 AWG        | PVC CSA/UL 2661      | Black        | 7±0,2 mm       | OK.     | -     |
| 1210180297 | B    | 2    | 2     | 20 AWG        | PUR CSA/UL 20668     | Black        | 5,6±0,2 mm     | OK.     | OK.   |
| 1210180126 | B    | 2    | 3     | 20 AWG        | PUR CSA/UL 20668     | Black        | 5,6±0,2 mm     | OK.     | OK.   |
| 1210180387 | B    | 2    | 4     | 20 AWG        | PUR CSA/UL 20668     | Black        | 6,2±0,2 mm     | OK.     | OK.   |
| -          | B    | 2    | 5     | 20 AWG        | PUR CSA/UL 20668     | Black        | 7±0,2 mm       | OK.     | OK.   |
| 1210180122 | D    | 2    | 3     | 0,5 mm2       | PVC TI2 CEI 20-20    | Grey         | 5,5±0,2 mm     | OK.     | OK.   |
| -          | F    | 2    | 3     | 0,5 mm2       | CNOMO                | Grey RAL7000 | 5,5±0,2 mm     | OK.     | OK.   |
| 1210180047 | I    | 2    | 2     | 0,5 mm2       | PVC CEI 2022 II O.R. | Grey RAL7035 | 5,5+0,3/-0 mm  | OK.     | OK.   |
| 1210180284 | I    | 2    | 3     | 0,5 mm2       | PVC CEI 2022 II O.R. | Grey RAL7035 | 5,5+0,3/-0 mm  | OK.     | OK.   |
| 1210180146 | I    | 2    | 4     | 0,5 mm2       | PVC CEI 2022 II O.R. | Grey RAL7035 | 6,5±0,2 mm     | OK.     | OK.   |
| 1210180177 | I    | 2    | 5     | 0,5 mm2       | PVC CEI 2022 II O.R. | Grey RAL7035 | 7±0,2 mm       | OK.     | -     |
| 1210180022 | N    | 2    | 2     | 0,5 mm2       | PVCH03               | Black        | 5,2±0,2 mm     | OK.     | OK.   |
| 1202092753 | N    | 2    | 3     | 0,5 mm2       | PVCH03               | Black        | 5,5±0,2 mm     | OK.     | OK.   |
| 1210180153 | N    | 2    | 4     | 0,5 mm2       | PVCH03               | Black        | 6,9 mm max     | OK.     | OK.   |
| 1210180046 | P    | 2    | 2     | 0,5 mm2       | PUR - BLEND          | Black        | 5,5±0,2 mm     | OK.     | OK.   |
| 1202092439 | P    | 2    | 3     | 0,5 mm2       | PUR - BLEND          | Black        | 5,5 +0,3/-0 mm | OK.     | OK.   |
| 1210180302 | P    | 2    | 4     | 0,5 mm2       | PUR - BLEND          | Black        | 6,5±0,2 mm     | OK.     | OK.   |
| 1202092215 | P    | 2    | 5     | 0,5 mm2       | PUR - BLEND          | Black        | 7+0,3/-0,1 mm  | OK.     | OK.   |
| 1210180409 | A    | 3    | 2     | 18 AWG        | PVC CSA/UL 2661      | Black        | 6,5±0,25 mm    | OK.     | -     |
| 1210180129 | A    | 3    | 3     | 18 AWG        | PVC CSA/UL 2661      | Black        | 6,5±0,25 mm    | OK.     | -     |
| 1210180159 | A    | 3    | 4     | 18 AWG        | PVC CSA/UL 2661      | Black        | 7±0,3 mm       | OK.     | -     |
| 1210180464 | A    | 3    | 5     | 18 AWG        | PVC CSA/UL 2661      | Black        | 7,8±0,25 mm    | OK.     | -     |
| 1210180351 | B    | 3    | 2     | 18 AWG        | PUR CSA/UL 20668     | Black        | 6,8±0,2 mm     | OK.     | -     |
| 1210180127 | B    | 3    | 3     | 18 AWG        | PUR CSA/UL 20668     | Black        | 6,5±0,2 mm     | OK.     | -     |
| 1210180160 | B    | 3    | 4     | 18 AWG        | PUR CSA/UL 20668     | Black        | 7±0,2 mm       | OK.     | -     |
| 1210180463 | B    | 3    | 5     | 18 AWG        | PUR CSA/UL 20668     | Black        | 7,8±0,2 mm     | OK.     | -     |
| 1210180073 | D    | 3    | 3     | 0,75 mm2      | PVC TI2 CEI 20-20    | Grey         | 6,5±0,2 mm     | OK.     | OK.   |
| 1210180145 | D    | 3    | 4     | 0,75 mm2      | PVC TI2 CEI 20-20    | Grey         | 7,1±0,2 mm     | OK.     | -     |
| 1202098206 | I    | 3    | 2     | 0,75 mm2      | PVC CEI 2022 II O.R. | Grey RAL7001 | 5,5±0,2 mm     | OK.     | -     |
| 1210180120 | I    | 3    | 3     | 0,75 mm2      | PVC CEI 2022 II O.R. | Grey RAL7035 | 6±0,2 mm       | OK.     | -     |
| 1210180143 | I    | 3    | 4     | 0,75 mm2      | PVC CEI 2022 II O.R. | Grey RAL7035 | 7±0,2 mm       | OK.     | -     |
| 1210180032 | N    | 3    | 2     | 0,75 mm2      | PVCH05               | Black        | 6,2±0,2 mm     | OK.     | -     |
| 1210180069 | N    | 3    | 3     | 0,75 mm2      | PVCH05               | Black        | 6,5±0,2 mm     | OK.     | -     |
| 1210180144 | N    | 3    | 4     | 0,75 mm2      | PVCH05               | Black        | 7,1±0,2 mm     | OK.     | -     |
| 1210180174 | N    | 3    | 5     | 0,75 mm2      | PVCH05               | Black        | 8,0+0,2-0 mm   | OK.     | -     |
| 1202094190 | P    | 3    | 2     | 0,75 mm2      | PUR - BLEND          | Black        | 6,5±0,2 mm     | OK.     | -     |

TABLE 2 - CABLES

| Molex PN   | ImPm | Code | Wires | Cross Section | Material             | Color        | Diameter Ø    | DIN A-B | DIN C |
|------------|------|------|-------|---------------|----------------------|--------------|---------------|---------|-------|
| 1210180071 | P    | 3    | 3     | 0,75 mm2      | PUR - BLEND          | Black        | 6,5±0,2 mm    | OK.     | -     |
| 1210180152 | P    | 3    | 4     | 0,75 mm2      | PUR - BLEND          | Black        | 7±0,2 mm      | OK.     | -     |
| 1210180384 | R    | 3    | 3     | 0,75 mm2      | TPR HAL. FREE        | Black        | 6,5±0,2 mm    | OK.     | -     |
| 1210180094 | T    | 3    | 3     | 0,75 mm2      | PUR CSA/UL           | Yellow       | 6,5±0,2 mm    | OK.     | -     |
| 1210180309 | Y    | 3    | 3     | 0,75 mm2      | SIL/0300             | Red          | 6,5±0,2 mm    | OK.     | -     |
| 1210180081 | F    | 4    | 3     | 1 mm2         | CNOMO                | Grey RAL7000 | 7,1+0,2/-0 mm | OK.     | -     |
| -          | F    | 4    | 4     | 1 mm2         | CNOMO                | Grey RAL7000 | 7,1+0,2/-0 mm | OK.     | -     |
| 1210180042 | I    | 4    | 2     | 1 mm2         | PVC CEI 2022 II O.R. | Grey RAL7035 | 7,1+0,2/-0 mm | OK.     | -     |
| 1210180079 | I    | 4    | 3     | 1 mm2         | PVC CEI 2022 II O.R. | Grey RAL7035 | 7,1+0,2/-0 mm | OK.     | -     |
| 1210180036 | N    | 4    | 2     | 1 mm2         | PVCH05               | Black        | 6,5±0,2 mm    | OK.     | -     |
| 1210180082 | N    | 4    | 3     | 1 mm2         | PVCH05               | Black        | 6,9±0,2 mm    | OK.     | -     |
| 1210180117 | R    | 4    | 3     | 1 mm2         | TPR HAL. FREE        | Black        | 7,1±0,2 mm    | OK.     | -     |
| 1210180085 | N    | 5    | 3     | 1,5 mm2       | PVCH05               | Black        | 8,3+0,2/-0 mm | OK.     | -     |
| 1210180313 | I    | 6    | 2     | 0,35 mm2      | PVC CEI 2022 II O.R. | Grey RAL7035 | 4,8±0,2 mm    | OK.     | -     |
| -          | A    | 7    | 3     | 20 AWG        | PVC CSA/UL 2661      | Yellow       | 5,6±0,2 mm    | OK.     | OK.   |
| 1210180149 | I    | 9    | 4     | 0,75 mm2      | PVC CEI 2022 II O.R. | Grey RAL7035 | 7,3±0,2 mm    | OK.     | -     |

TABLE 1 - CABLES TYPE

| Code | Cable types | Features  | Stranding  |
|------|-------------|---|--|
| N    | PVC         | Application general purpose cable which has good resistance to water, but usually poor oil resistance.                          | 0,5 mm2 = 15 x 0,20<br>0,75 mm2 = 21 x 0,20<br>1 mm2 = 28 x 0,20 |
| I    | CEI         | Approved to IEC 332-2A, flame retardant and self extinguishing. Limited resistant to mineral oils.                              | 0,5 mm2 = 28 x 0,15<br>0,75 mm2 = 42 x 0,15<br>1 mm2 = 32 x 0,20 |
| P    | PUR         | Offer good resistance to oil and chemicals. Can swell when constantly immersed in water.  | 0,5 mm2 = 28 x 0,15<br>0,75 mm2 = 42 x 0,15<br>1 mm2 = 32 x 0,20 |
| A    | PVC CSA-UL  | Approved to CSA-UL 2661, application general purpose cable which has good resistance to water, but usually poor oil resistance. | 20 AWG = 32 x 0,15<br>18 AWG = 52 x 0,15                         |
| B    | PUR CSA-UL  | Approved to CSA-UL 20668, very good resistance to oil and chemicals.  | 20 AWG = 32 x 0,15<br>18 AWG = 52 x 0,15                         |

ORIGINAL RELEASE  
EC NO: IPG2013-1498  
DRWN: JMARSZALEK 2013/03/27  
CHKD: MYSZEWSKA 2013/03/27  
APPR: MIWASIECZKO 2013/03/28

QUALITY SYMBOLS  
▽=0  
◻=0

DESCRIPTION  
REV

GENERAL TOLERANCES (UNLESS SPECIFIED)

|          | mm    | INCH  |
|----------|-------|-------|
| 4 PLACES | ± --- | ± --- |
| 3 PLACES | ± --- | ± --- |
| 2 PLACES | ± --- | ± --- |
| 1 PLACE  | ± --- | ± --- |
| 0 PLACE  | ± --- | ± --- |

ANGULAR ±---°  
DRAFT WHERE APPLICABLE MUST REMAIN WITHIN DIMENSIONS

DIMENSION STYLE  
MM ONLY

DRAWN BY: JMARSZALEK  
DATE: 2012/11/28

CHECKED BY: MSZWAJKOWSKI  
DATE: 2012/11/28

APPROVED BY: MIWASIECZKO  
DATE: 2013/02/12

MATERIAL NO.  
SEE SHEET 2&3

SCALE 1:1  
DESIGN UNITS METRIC  
FIRST ANGLE PROJECTION

TITLE  
E39XXXXXXXXXXXXX  
DIN FORM MICRO

**molex**

DOCUMENT NO. SD-121050-007  
SHEET NO. 3 OF 4

THIS DRAWING CONTAINS INFORMATION THAT IS PROPRIETARY TO MOLEX INCORPORATED AND SHOULD NOT BE USED WITHOUT WRITTEN PERMISSION

