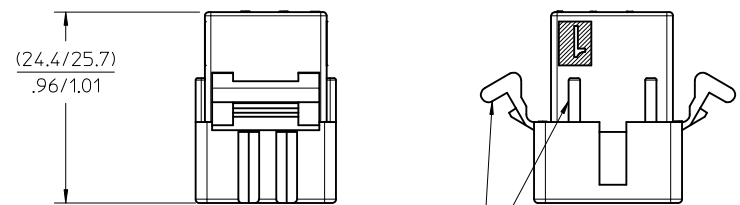
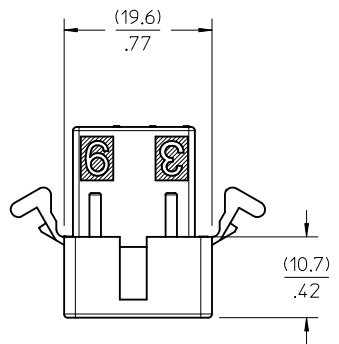
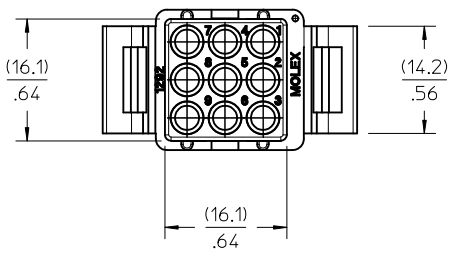
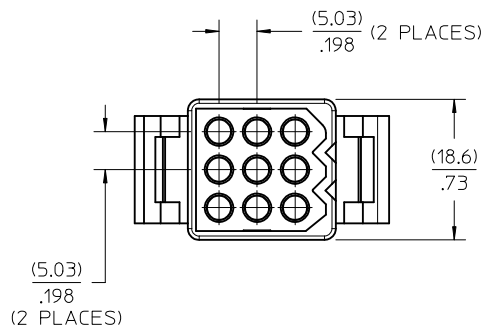


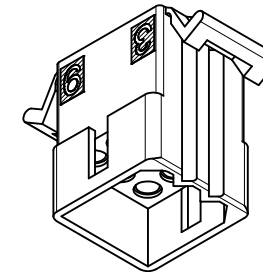
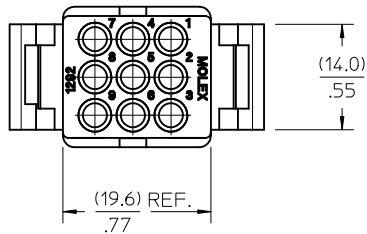
STANDARD PLUG
1292-P2 SHOWN WITH
RIBS & PREBENT EARS



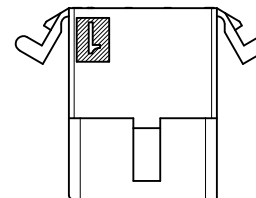
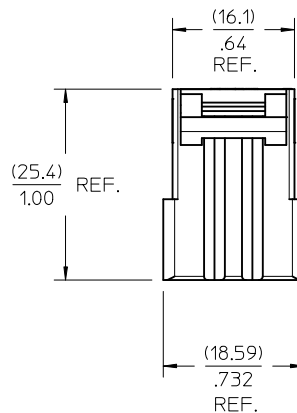
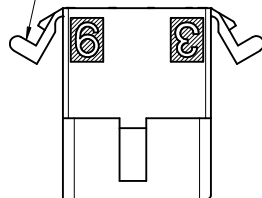
MOUNTING EARS AND
RIBS OPTION (SEE DETAIL 4 & NOTE 3,
ON DRAWING SD-1292-0003)



REDRAWN EC NO: UCP2010-2311 DRWNG: CSTEWARD 2011/07/21 CHKD: APPR: FSMITH 2011/09/12 REV: V	DESCRIPTION 2011/09/12	QUALITY SYMBOLS ▽=0 ▽=0 ▽=0	GENERAL TOLERANCES (UNLESS SPECIFIED)		DIMENSION STYLE MM/IN		SCALE 2:1	DESIGN UNITS METRIC	THIRD ANGLE PROJECTION		
				4 PLACES ± --- ± .010 3 PLACES ± --- ± .014 2 PLACES ± 0.25 ± --- 1 PLACE ± 0.35 ± ---	DRAWN BY CSTEWARD	DATE 2011/07/21	TITLE .093/(2.36) HOUSING, PLUG 9 CKT. .198/(5.03) CTRS				
				ANGULAR ± 1/2°		APPROVED BY FSMITH	DATE 2011/09/12	MOLEX INCORPORATED		SHEET NO. 1 OF 1	
				DRAFT WHERE APPLICABLE MUST REMAIN WITHIN DIMENSIONS		MATERIAL NO. SEE DWG SD-1292-0003		DOCUMENT NO. SD-1292-0001			

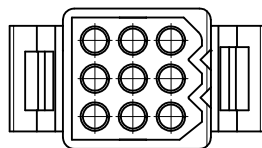


MOUNTING EARS OPTIONAL
(PREBENT EAR ONLY)
SEE DETAIL 4 ON
DRAWING SD-1292-0003

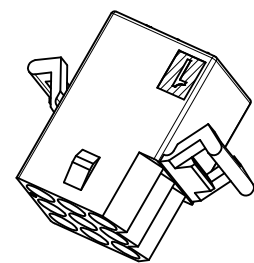
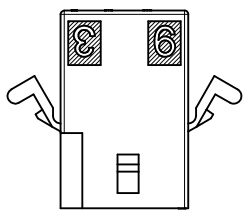
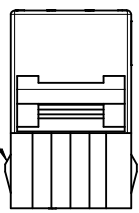
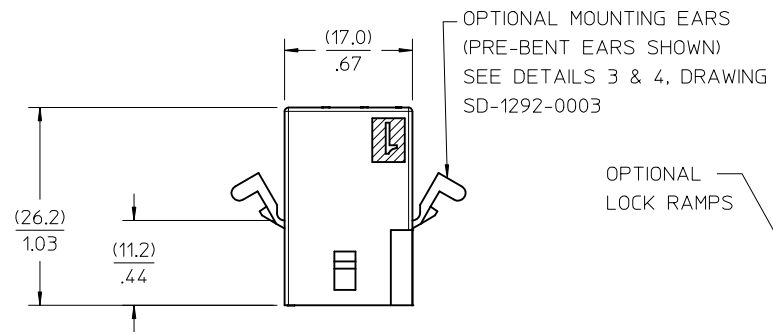
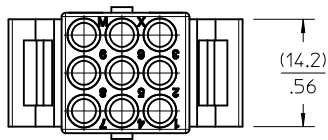


OPTIONAL PLUG

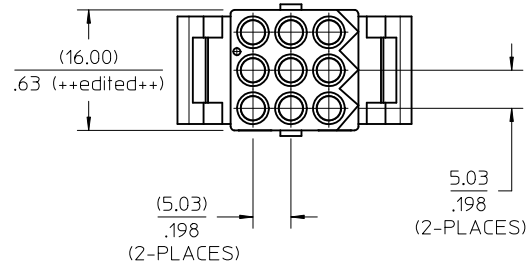
(PLUG SHOWN WITH PREBENT EARS)
FOR ALL OTHER DIMENSIONS AND SPECS.
SEE STANDARD PLUG DRAWING SD-1292-0001.



REDRAWN EC NO: UCP2010-2311 DRAWN: CSTEWARD 2011/07/21 CHKD: APPR: FSMITH 2011/09/12	QUALITY SYMBOLS ▽=0 ▽=0 ▽=0	GENERAL TOLERANCES (UNLESS SPECIFIED)		DIMENSION STYLE MM/IN		SCALE 2:1	DESIGN UNITS METRIC	THIRD ANGLE PROJECTION																		
		<table border="1"> <thead> <tr> <th></th> <th>mm</th> <th>INCH</th> </tr> </thead> <tbody> <tr> <td>4 PLACES ±</td> <td>---</td> <td>±.010</td> </tr> <tr> <td>3 PLACES ±</td> <td>---</td> <td>±.014</td> </tr> <tr> <td>2 PLACES ±</td> <td>0.25</td> <td>±---</td> </tr> <tr> <td>1 PLACE ±</td> <td>0.35</td> <td>±---</td> </tr> </tbody> </table>			mm	INCH	4 PLACES ±	---	±.010	3 PLACES ±	---	±.014	2 PLACES ±	0.25	±---	1 PLACE ±	0.35	±---	DRAWN BY DATE CSTEWARD 2011/07/21		CHECKED BY DATE		TITLE .093/(2.36) HOUSING, OPTIONAL PLUG, 9 CKT., 198/(5.03) CTRS.			
			mm	INCH																						
		4 PLACES ±	---	±.010																						
3 PLACES ±	---	±.014																								
2 PLACES ±	0.25	±---																								
1 PLACE ±	0.35	±---																								
ANGULAR ±1/2°		APPROVED BY DATE FSMITH 2011/09/12		MATERIAL NO. SEE DWG. SD-1292-0003		MOLEX INCORPORATED																				
DRAFT WHERE APPLICABLE MUST REMAIN WITHIN DIMENSIONS		SIZE C		THIS DRAWING CONTAINS INFORMATION THAT IS PROPRIETARY TO MOLEX INCORPORATED AND SHOULD NOT BE USED WITHOUT WRITTEN PERMISSION		DOCUMENT NO. SD-1292-0002		SHEET NO. 1 OF 1																		



RECEPTACLE
(SHOWN WITH PREBENT MOUNTING EARS & LOCK RAMP)



REDRAWN EC NO: UCP2010-2311 DRWNC:STEWART 2011/07/21 CHKD: APPR:FSMITH 2011/09/12	QUALITY SYMBOLS ∇=0 ∇=0 ∇=0	GENERAL TOLERANCES (UNLESS SPECIFIED)		DIMENSION STYLE MM/IN	SCALE 2:1	DESIGN UNITS METRIC	THIRD ANGLE PROJECTION	
		4 PLACES ± --- ± .010 3 PLACES ± --- ± .014 2 PLACES ± 0.25 ± --- 1 PLACE ± 0.35 ± ---	DRAWN BY C STEWART	DATE 2011/07/21	TITLE .093/(2.36) HOUSING RECEPTACLE, 9 CIRCUIT, .198/(5.03) CENTERS			
		ANGULAR ±1/2°		CHECKED BY DATE	APPROVED BY FSMITH 2011/09/12			
		DRAFT WHERE APPLICABLE MUST REMAIN WITHIN DIMENSIONS		MATERIAL NO. SEE CHART, SHEET 2	DOCUMENT NO. SD-1292-0003	SHEET NO. 1 OF 2		

PLUG	
PART NO.	ENG. NO.
03-09-2091	1292-P
03-09-2092	1292-P1
03-09-7091	1292-PBK
03-09-7092	1292-P1BK
NOT TOOLED	1292-P2
27-09-2092	1292-P1-A

RECEPTACLE	
PART NO.	ENG. NO.
03-09-1091	1292-R
03-09-1092	1292-R1
03-09-6091	1292-RBK
03-09-6092	1292-R1BK
03-09-1093	1292-R2
03-09-6093	1292-R2BK
03-09-1094	1292-R3
03-09-6094	1292-R3BK
27-09-1093	1292-R2-A

LEGEND: PLUG

1292-P * * * - *

P = PLUG

- BLANK = OPT. PLUG WITH PREBENT EARS
- 1 = STD. PLUG WITHOUT PREBENT EARS
- 2 = STD. PLUG WITH PREBENT EARS & RIBS

COLOR: BLANK=NATURAL COLOR
 AM=AMBER BK=BLACK BU=BLUE
 BN=BROWN GY=GRAY GN=GREEN
 OR=ORANGE RD=RED YW=YELLOW

MATERIAL: BLANK = NYLON 6/6, U.L. 94V-2
 A = NYLON 6/6, U.L. 94V-0

LEGEND: RECEPTACLE

1292-R * * * - *

R = RECEPTACLE

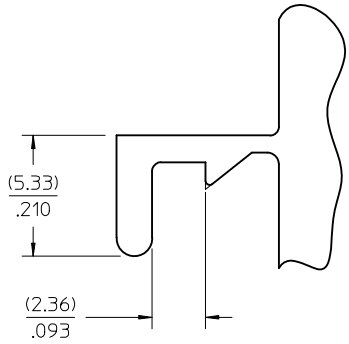
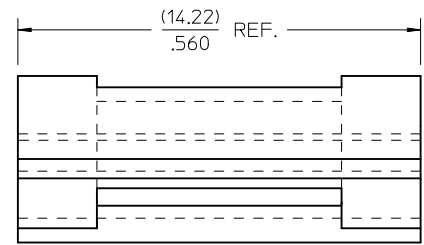
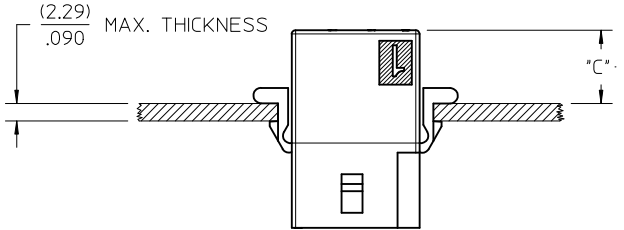
- BLANK = WITH PREBENT EARS, WITH LOCK RAMP
- 1 = WITH PREBENT EARS, WITHOUT LOCK RAMP
- 2 = WITHOUT EARS, WITHOUT LOCK RAMP
- 3 = WITHOUT EARS, WITH LOCK RAMP

COLOR: BLANK=NATURAL COLOR
 AM=AMBER BK=BLACK BU=BLUE
 BN=BROWN GY=GRAY GN=GREEN
 OR=ORANGE RD=RED YW=YELLOW

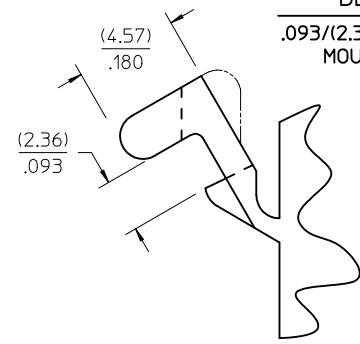
MATERIAL: BLANK = NYLON 6/6, U.L. 94V-2
 A = NYLON 6/6, U.L. 94V-0

HOUSING	DIM. "A"	DIM. "B"	DIM. "C" (STD. EAR)	DIM. "C" (PREBENT)
STD. PLUG	.930/(23.62)	.760/(19.30)	N/A	.39/(9.9)
OPT. PLUG	.937/(23.80)	.660/(16.76)	.13/(3.3)	N/A
RECEPTACLE	.828/(21.03)	.725/(18.42)	.37/(9.4)	.41/(10.4)

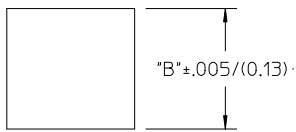
- NOTES:
- THESE PARTS COMPLY WITH MOLEX PRODUCT SPEC. 02-09.
 - HOUSINGS FOR USE WITH MOLEX .093/(2.36) PIN AND SOCKET TERMINALS.
 - RIBS ARE PRESENT ONLY ON STANDARD PLUG WITH PREBENT MOUNTING EARS. FOR PLUG HOUSINGS REQUIRING MOUNTING EARS, ONLY PREBENT STYLE IS AVAILABLE.



DETAIL 3
 .093/(2.36) STANDARD MOUNTING EAR



DETAIL 4
 .093/(2.36) PREBENT MOUNTING EAR



"A" ±.005/(0.13)

"B" ±.005/(0.13)

DETAIL 5
 PANEL CUTOUT VIEW
 OPTIONAL PLUG WITH PREBENT EARS SHOWN

REDRAWN EC NO: UCP2010-2311 DRAWN: STEWART 2011/07/21 CHKD: APPR: FSMITH 2011/09/12 REV: V	QUALITY SYMBOLS	GENERAL TOLERANCES (UNLESS SPECIFIED)	DIMENSION STYLE	SCALE	DESIGN UNITS	THIRD ANGLE PROJECTION
	▽=0	mm INCH	MM/IN	6:1	METRIC	
	▽=0	4 PLACES ± --- ±.010	DRAWN BY DATE	TITLE		
	▽=0	3 PLACES ± --- ±.014	CSTEWART 2011/07/21	.093/(2.36) HOUSING RECEPTACLE, 9 CIRCUIT, .198/(5.03) CENTERS		
	2 PLACES ± 0.25 ± ---	CHECKED BY DATE	MOLEX MOLEX INCORPORATED			
	1 PLACE ± 0.35 ± ---	APPROVED BY DATE	DOCUMENT NO.			SHEET NO.
	ANGULAR ± 1/2°	FSMITH 2011/09/12	SEE CHART			2 OF 2
	DRAFT WHERE APPLICABLE MUST REMAIN WITHIN DIMENSIONS	MATERIAL NO.	SD-1292-0003			
		SIZE	THIS DRAWING CONTAINS INFORMATION THAT IS PROPRIETARY TO MOLEX INCORPORATED AND SHOULD NOT BE USED WITHOUT WRITTEN PERMISSION			