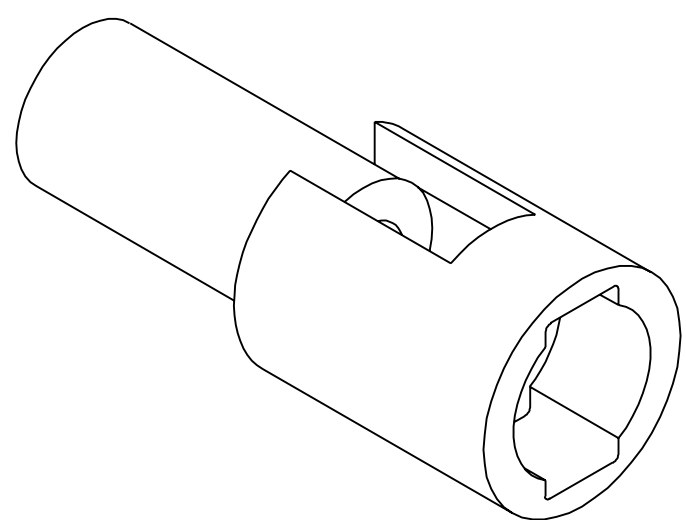
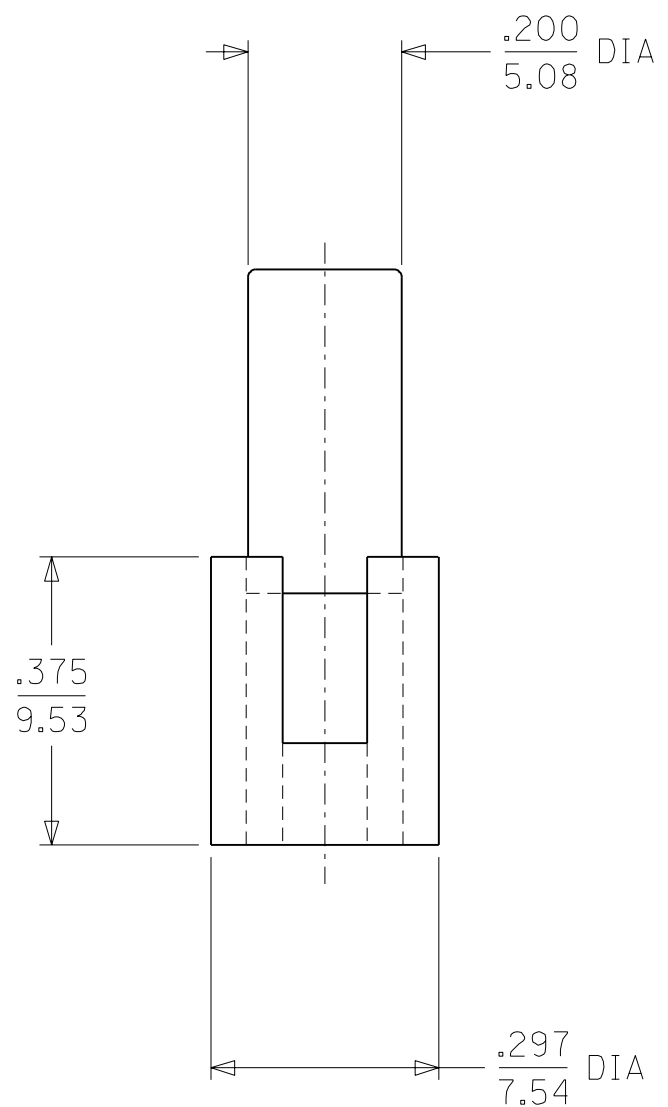
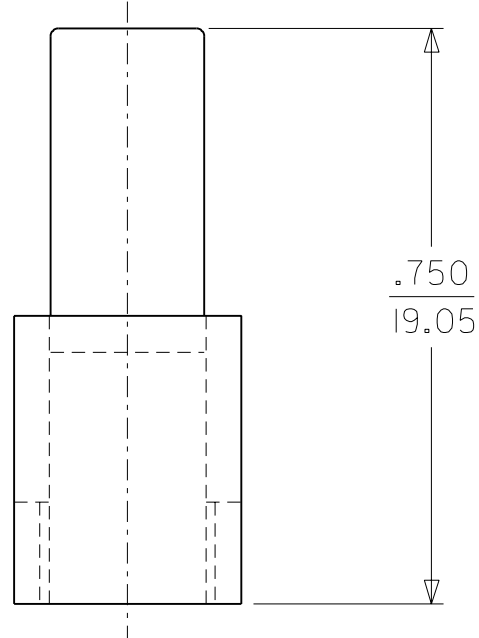
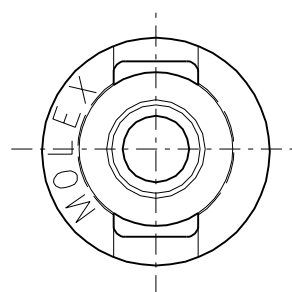
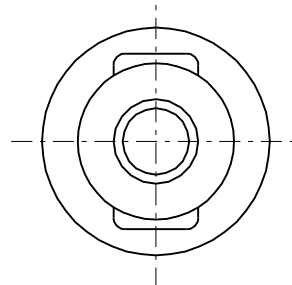


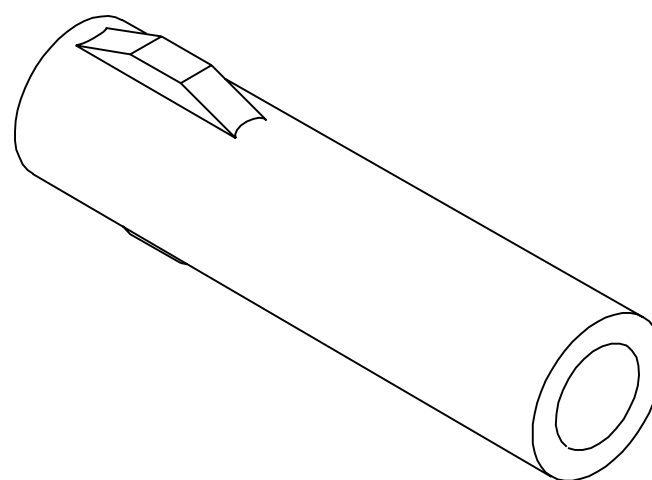
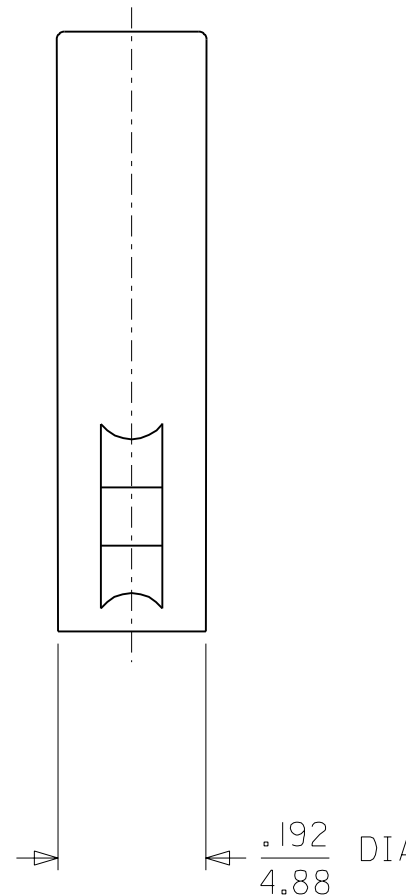
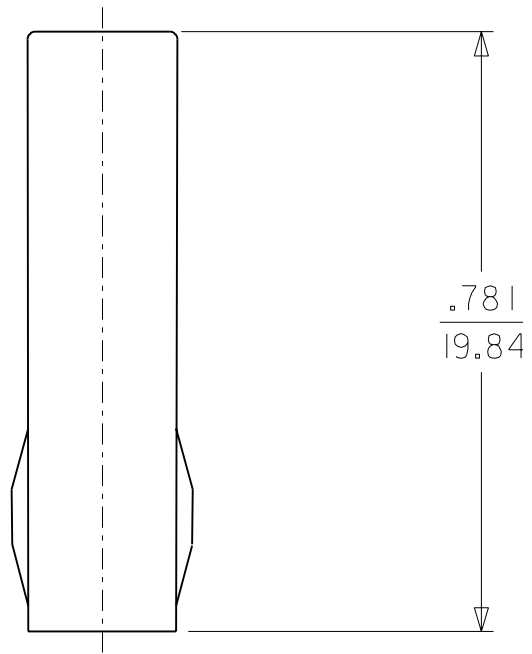
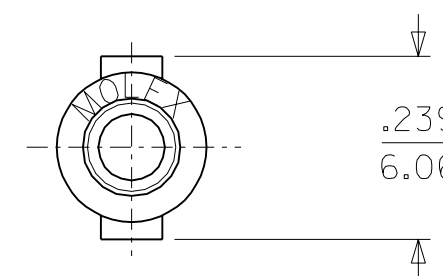
### PLUG



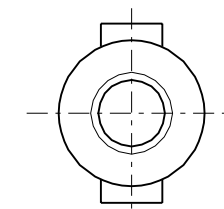
### PLUG HOUSING



### RECEPTACLE



### RECEPTACLE HOUSING



2	H
1	H
SHT	REV

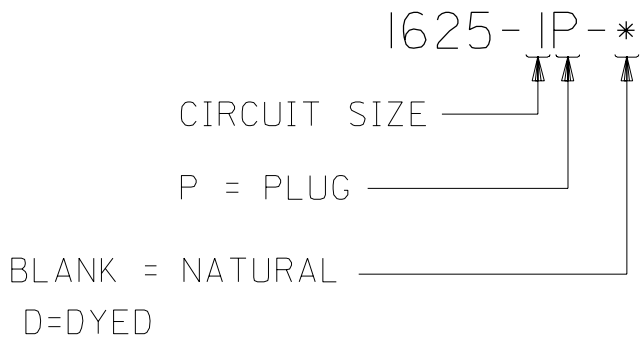
REVISE ON CAD ONLY

REDRAWN ON CAD EC NO.: JCP2003-2578 DRWN: BSYNNOTT 6/10/03 CHK: BWIRKUS 6/13/03 APPR: BWIRKUS 6/16/03	QUALITY SYMBOLS	GENERAL TOLERANCES: (UNLESS SPECIFIED)	SCALE 4 : 1	DESIGN UNITS <input type="checkbox"/> mm <input checked="" type="checkbox"/> INCH	THIRD ANGLE PROJECTION <input checked="" type="checkbox"/>	DIMENSIONS: <input type="checkbox"/> mm <input checked="" type="checkbox"/> INCH <input type="checkbox"/> mm ONLY	TITLE: PLUG & RECEPTACLE HOUSINGS I CIRCUIT, .062/(1.57) DIA. SERIES
	MAJOR	mm	INCH	DRAWN BY & DATE	<input type="checkbox"/> mm <input checked="" type="checkbox"/> INCH <input type="checkbox"/> mm ONLY		
	CRITICAL	4 PLACES ±0.---	±.	JBS 6/10/03	CHECKED BY & DATE	MOLEX INCORPORATED	
	REV	3 PLACES ±0.	±.010	BW 6/13/03	APPROVED BY & DATE		
	2 PLACES ±0.25	±.014	BW 6/16/03	CAD FILENAME	MATERIAL NO.	DRAWING NO.	SHEET NO.
	1 PLACE ±0.35	±.	ANGULAR: ± 1°	SD I625 IX I.DGN	SEE CHART	SD-1625-1*-*	1 OF 2
			DRAFT WHERE APPLICABLE MUST REMAIN WITHIN DIMENSIONS	THIS DRAWING CONTAINS INFORMATION THAT IS PROPRIETARY TO MOLEX INCORPORATED AND SHOULD NOT BE USED WITHOUT WRITTEN PERMISSION.			SIZE C

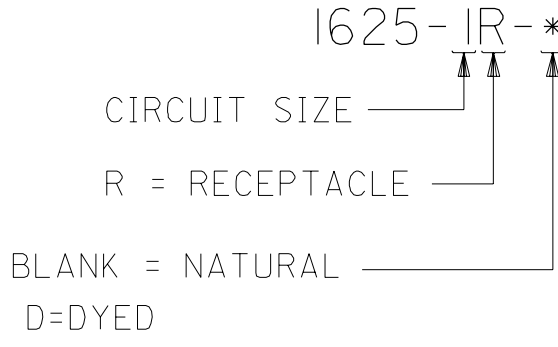
PLUG	
PART NO.	ENG. NO.
03-06-2011	1625-IP
03-06-7011	1625-IP-D

RECEPTACLE	
PART NO.	ENG. NO.
03-06-1011	1625-IR
03-06-6011	1625-IR-D

PLUG LEGEND:



RECEPTACLE LEGEND:



NOTES:

1. MATERIAL: NYLON, PA66, U.L. 94V-2.
2. FINISH: NONE.
3. PRODUCT SPECIFICATION: PS-02-06.
4. PACKAGING SPECIFICATION: NONE.
5. FOR USE WITH .062 SERIES TERMINALS.

DIMENSIONS SHOWN (METRIC) INCH		▽ = 0	▼ = 0	REVISE ONLY ON CAD SYSTEM
UNLESS OTHERWISE SPECIFIED TOLERANCES: ANGULAR ± 10°		TITLE		
INCH METRIC		PLUG & RECEPTACLE HOUSINGS		
3 PLACE ± .010 ---		1 CIRCUIT		
2 PLACE ± .014 ± 0.25		.062/(1.57) DIA. SERIES		
1 PLACE --- ± 0.35		MOLEX INCORPORATED		
DRAFT WHERE APPLICABLE MUST REMAIN WITHIN DIMENSIONS		FILE NAME	SHEET NO.	DATE
DRWG. BY: JBS		SD16251X2	2	6/10/03
CHK'D. BY: BW		THIS DRAWING CONTAINS INFORMATION THAT IS PROPRIETARY TO MOLEX INC. AND SHOULD NOT BE USED WITHOUT WRITTEN PERMISSION.		
APP'D. BY: BW		SCALE	DIV.	SIZE
LTR.		REVISIONS	CP	C

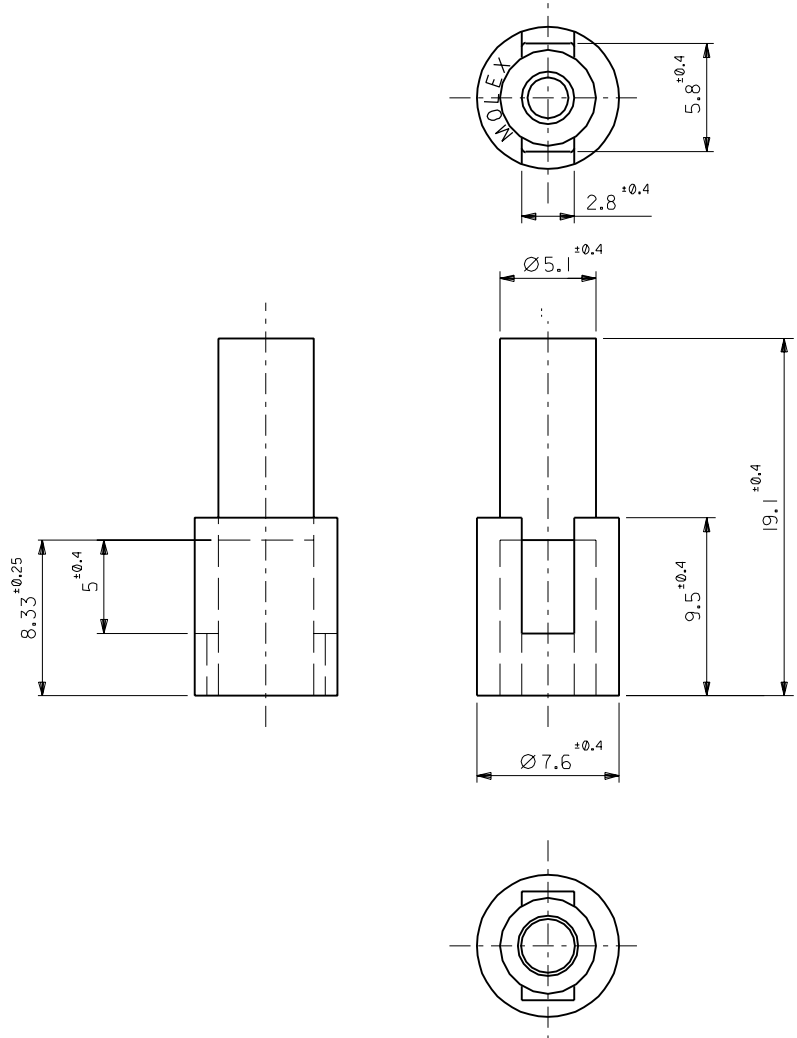
E

D

C  
DIMENSIONS IN METRIC DO NOT SCALE DRAWING

B

A  
:MM



注記  
NOTE

材質:ナイロン66, 94V-2  
MATERIAL:NYLON66,94V-2

03-06-2011	1625-IP
PART NO.	ENG.NO.

材料 MATERIAL	☑中参照 REFER TO DRAWING	
仕上げ FINISH	—	
適用電線範囲 WIRE RANGE	—	
被覆外径 INS. RANGE	—	
DRAWN BY '96/07/08	CHK'D BY '96/07/08	
H.IIJIJIMA	M.FUKUSHIMA	
APP'D BY '96/07/08	尺 寸	
M.ENOMOTO	SCALE 4 : 1	
再作図 REDRAWN	日付 DATE	
(JC78302)	'96/07/08	
変更内容 REVISION RECORD	DR. CHK.	
記号 LTR		
B		

角度 ANGLE	±3°
30°以上 OVER	+0.3
10°以上 30°未満 OVER UNDER	+0.25
10°未満 UNDER	+0.2
公差 GENERAL TOLERANCES	

MOLEX MOLEX-JAPAN CO.,LTD. 日本モレックス株式会社	
REVISE ONLY ON CAD SYSTEM	
TITLE 名称 .062 DIA. 1 CIRCUIT PLUG HOUSING	
DWG. NO. SD-1625-IP	REV B