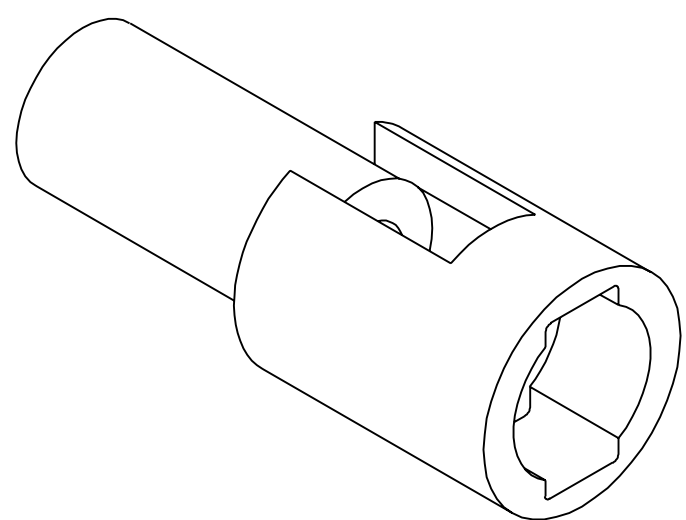
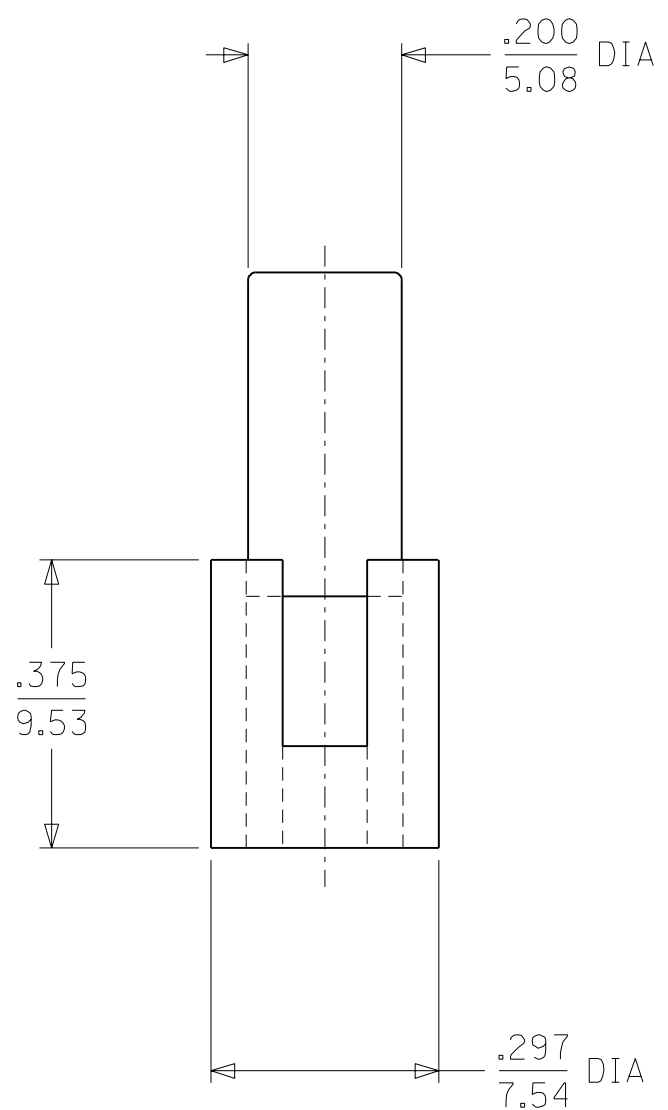
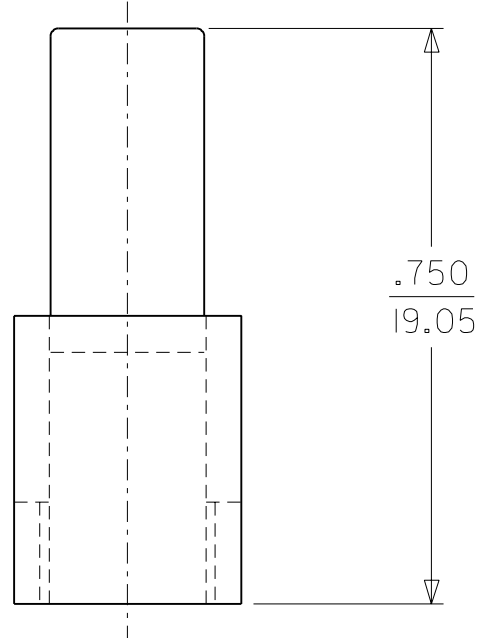
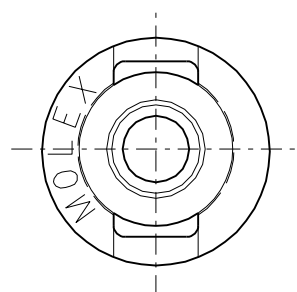
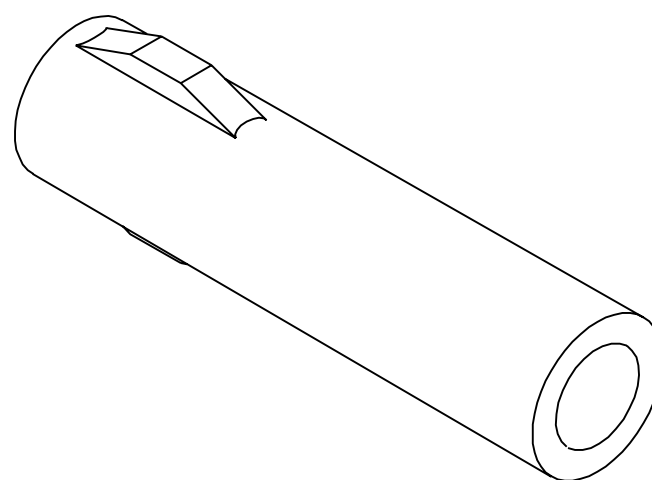
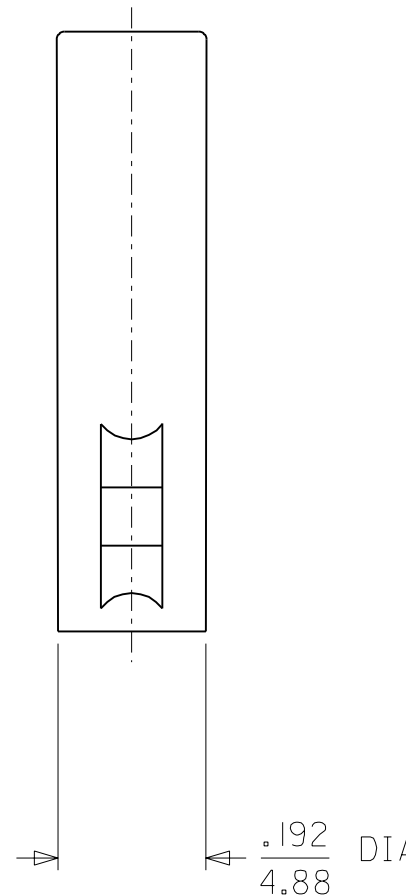
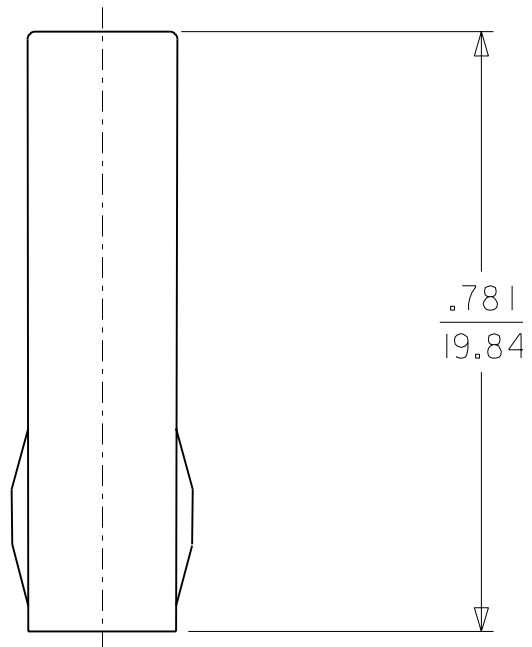
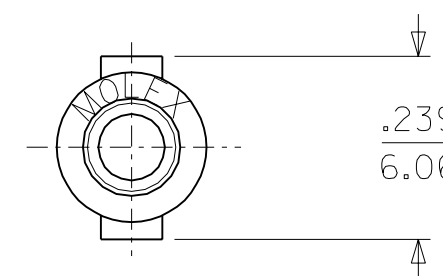


PLUG



PLUG HOUSING

RECEPTACLE



RECEPTACLE HOUSING

2	H
1	H
SHT	REV

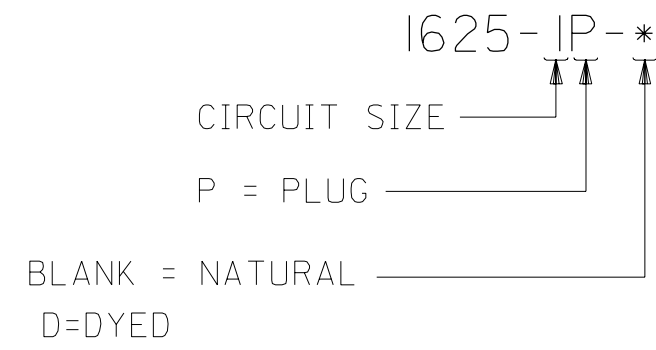
REVISE ON CAD ONLY

REDRAWN ON CAD EC NO.: JCP2003-2578 DRWN: BSYNNOTT 6/10/03 CHK: BWIRKUS 6/13/03 APPR: BWIRKUS 6/16/03	QUALITY SYMBOLS	GENERAL TOLERANCES: (UNLESS SPECIFIED)	SCALE 4 : 1	DESIGN UNITS <input type="checkbox"/> mm <input checked="" type="checkbox"/> INCH	THIRD ANGLE PROJECTION <input checked="" type="checkbox"/>	DIMENSIONS: <input type="checkbox"/> mm <input checked="" type="checkbox"/> INCH <input type="checkbox"/> mm ONLY	TITLE: PLUG & RECEPTACLE HOUSINGS I CIRCUIT, .062/(1.57) DIA. SERIES
	MAJOR	4 PLACES ±0.--- ±.	DRAWN BY & DATE JBS 6/10/03	MOLEX INCORPORATED SEE CHART SD-1625-1*-* SHEET NO. 1 OF 2			
	CRITICAL	3 PLACES ±0. ±.010	CHECKED BY & DATE BW 6/13/03				
	DESCRIPTION	2 PLACES ±0.25 ±.014	APPROVED BY & DATE BW 6/16/03	CAD FILENAME SD1625IX1.DGN	MATERIAL NO. SEE CHART	DRAWING NO. SD-1625-1*-*	SHEET NO. 1 OF 2
REV	1 PLACE ±0.35 ±.	ANGULAR: ± 1°	THIS DRAWING CONTAINS INFORMATION THAT IS PROPRIETARY TO MOLEX INCORPORATED AND SHOULD NOT BE USED WITHOUT WRITTEN PERMISSION.				SIZE C

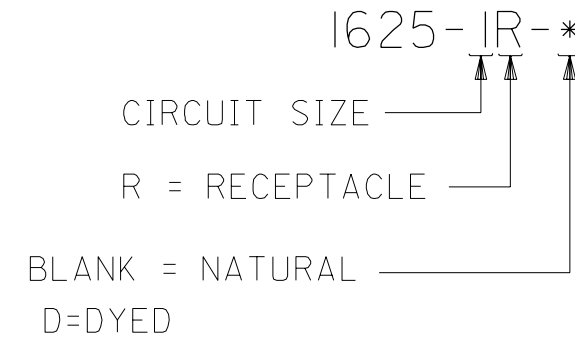
PLUG	
PART NO.	ENG. NO.
03-06-2011	1625-IP
03-06-7011	1625-IP-D

RECEPTACLE	
PART NO.	ENG. NO.
03-06-1011	1625-IR
03-06-6011	1625-IR-D

PLUG LEGEND:



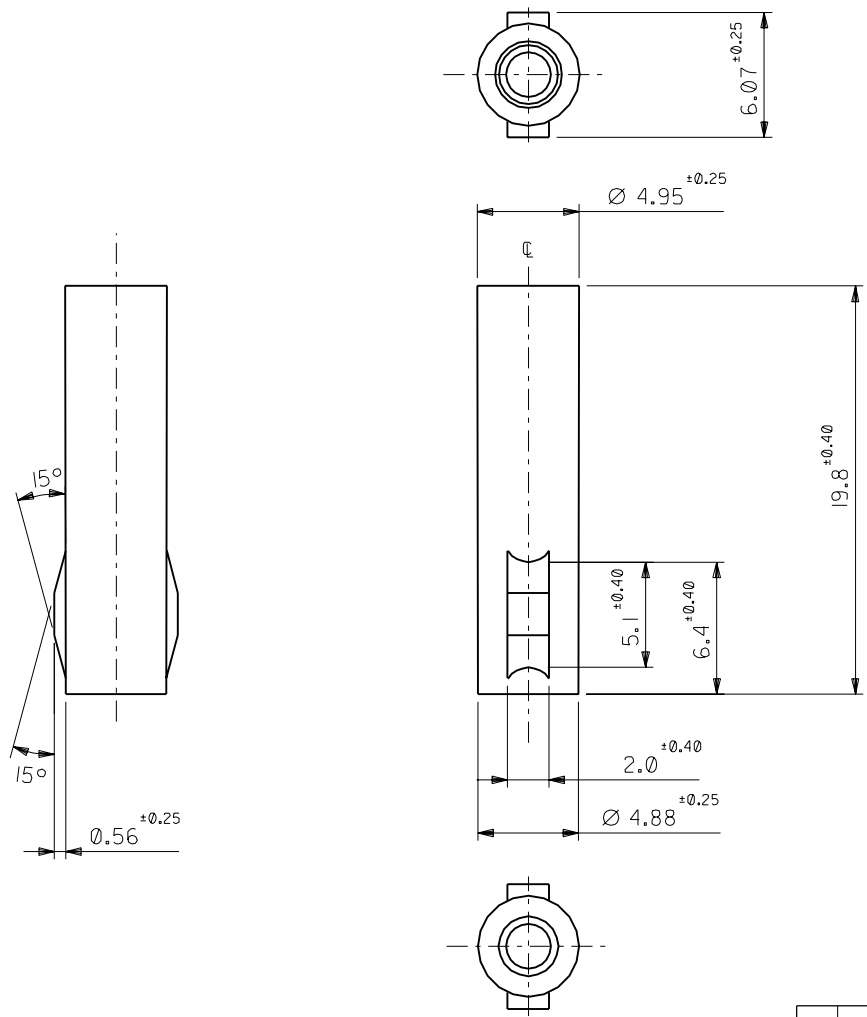
RECEPTACLE LEGEND:



NOTES:

1. MATERIAL: NYLON, PA66, U.L. 94V-2.
2. FINISH: NONE.
3. PRODUCT SPECIFICATION: PS-02-06.
4. PACKAGING SPECIFICATION: NONE.
5. FOR USE WITH .062 SERIES TERMINALS.

DIMENSIONS SHOWN (METRIC) INCH		▽ = 0	▼ = 0	REVISE ONLY ON CAD SYSTEM
UNLESS OTHERWISE SPECIFIED TOLERANCES: ANGULAR ± 10°		TITLE		
INCH METRIC		PLUG & RECEPTACLE HOUSINGS		
3 PLACE ± .010 ---		1 CIRCUIT		
2 PLACE ± .014 ± 0.25		.062/(1.57) DIA. SERIES		
1 PLACE --- ± 0.35		MOLEX INCORPORATED		
DRAFT WHERE APPLICABLE MUST REMAIN WITHIN DIMENSIONS		LITLLE, ILL. 60532 U.S.A.		
DRWG. BY JBS		CHK'D. BY BW		SHEET NO. 2
APP'D. BY BW		SCALE :		DATE 6/10/03
LTR.	REVISIONS	LTR.	REVISIONS	PART NO. SD-1625-1*-*
		H	SEE SHT. 1	DRWG. NO. CP C



注記
NOTE

材質:ナイロン66, 94V-2
MATERIAL:NYLON66,94V-2

03-06-1011	1625-IR
PART NO.	ENG. NO.

材料 MATERIAL	図中参照 REFER TO DRAWING	
仕上げ FINISH	—	
適用電線範囲 WIRE RANGE	—	
被覆外径 INS. RANGE	—	
DRAWN BY '96/07/01	CHK'D BY '96/07/01	
H.IIJIMA	M.FUKUSHIMA	
APP'D BY '96/07/01	尺度	1:1
M.ENOMOTO		

MOLEX-JAPAN CO.,LTD. 日本モレックス株式会社	
REVISE ONLY ON CAD SYSTEM	
TITLE 名称 .062 DIA. 1 CIRCUIT RECEPT. HOUSING	
DWG. NO.	REV
SD-1625-IR	B

角度 ANGLE	±30°
30以上 OVER	±0.3
10以上 30未満 OVER UNDER	±0.25
10未満 UNDER	±0.2
一般公差 GENERAL TOLERANCES	

記号 LTR	変更内容 REVISION RECORD	DR. CHK.	日付 DATE
B	再作図 REDRAWN (JC70305)	H.I M.F	'96/07/01