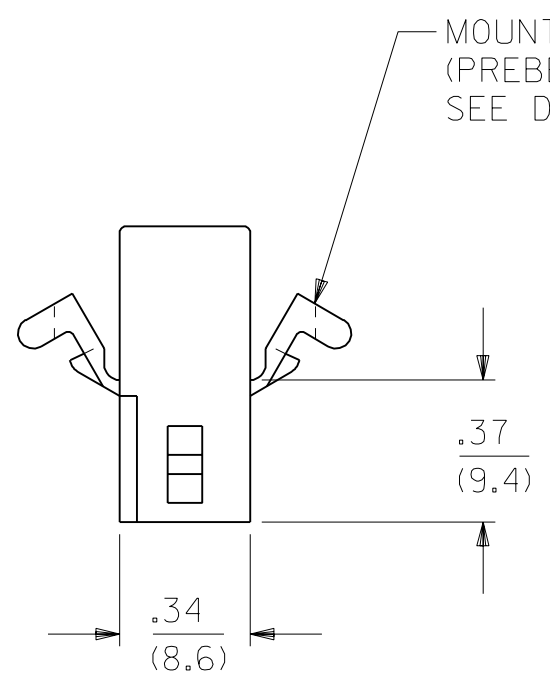
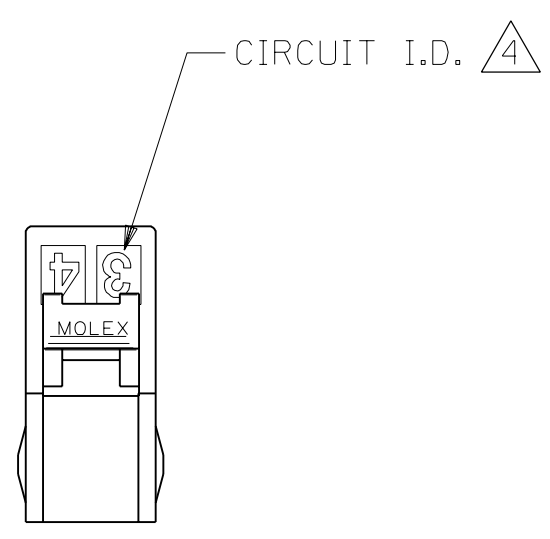
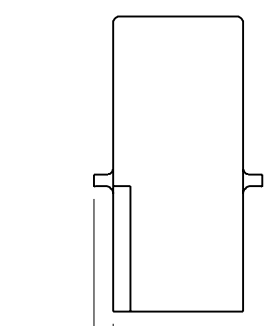
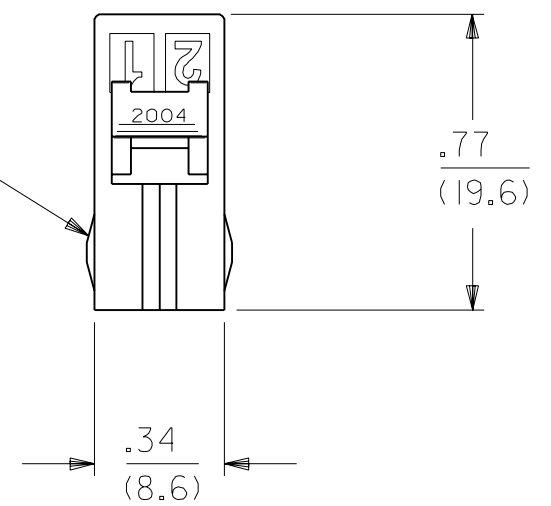


**DETAIL 1**  
POSITIVE LOCK VERSION  
ENG. NO. 2004-R5\*

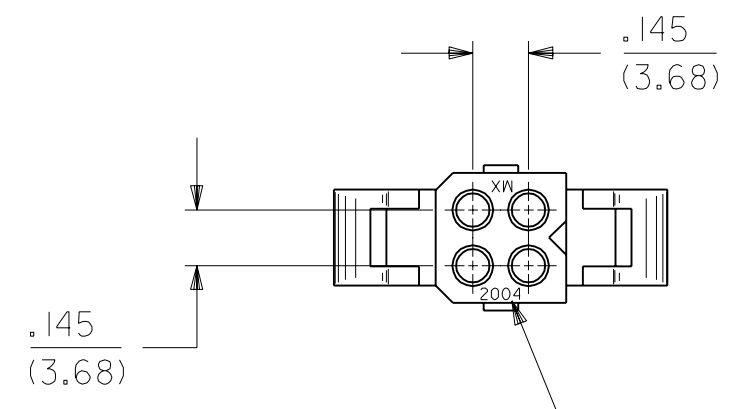


MOUNTING EAR (2 PL.)  
(PREBENT EAR SHOWN)  
SEE DETAIL 3 OR 4

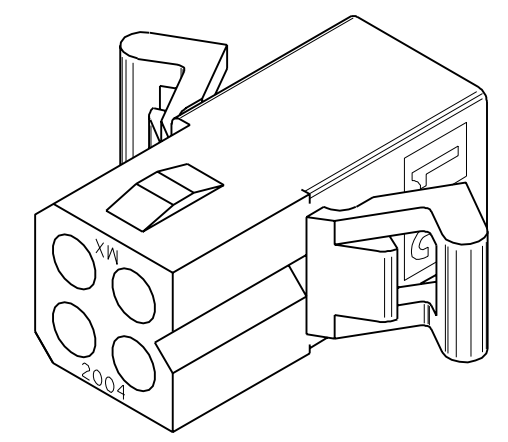
PASSIVE LOCK  
VERSION



ALLOWANCE OF  $\frac{.000}{.060}$  (2 PL.) FOR CUT OFF OF MOUNTING EARS  
**DETAIL 2**  
RECEPTACLE WITHOUT EARS  
OR DETENTS, ENG. NO. 2004-R3\*



ENG. NO. LOCATION  
FOR PARTS W/O MTG. EARS

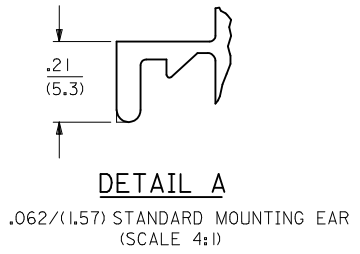


**RECEPTACLE HOUSING**

DIMENSIONS SHOWN (METRIC) INCH		▽ = 0 ▼ = 0		REVISE ONLY ON CAD SYSTEM	
UNLESS OTHERWISE SPECIFIED TOLERANCES: ANGULAR ± 10°		TITLE		PLUG AND RECEPTACLE HOUSINGS, 4 CIRCUIT .062/(1.57) DIA.	
		INCH		METRIC	
3 PLACE	± .010	---		---	
2 PLACE	± .014	± 0.25		---	
1 PLACE	---	± 0.36		---	
DRAFT WHERE APPLICABLE MUST REMAIN WITHIN DIMENSIONS		PART NO.		DRWG. NO.	
		SEE CHART		SD-2004-*	
DRWG. BY: GJC		CHK'D. BY: RW		SHEET NO. 2	
APP'D. BY: RS		SCALE: 4:1		DATE: 8/27/91	
LTR.	REVISIONS	LTR.	REVISIONS	FILE NAME: H2004C4 S05	DIV. CP
				THIS DRAWING CONTAINS INFORMATION THAT IS PROPRIETARY TO MOLEX INC. AND SHOULD NOT BE USED WITHOUT WRITTEN PERMISSION.	

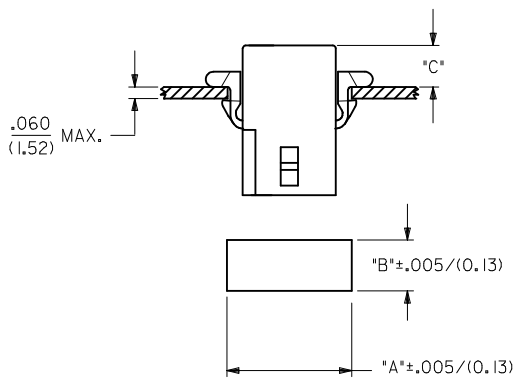
PLUG		
PART NO.	ENG. NO.	
03-06-2031	I625-3P	
03-06-2032	I625-3P1	
03-06-2034	I625-3P4BK	
03-06-7032	I625-3P1BK	<b>OBSOLETE</b>
03-06-2033	I625-3P4	

RECEPTACLE		
PART NO.	ENG. NO.	
03-06-1033	I625-3R2	
03-06-1031	I625-3R	
03-06-1032	I625-3R1	
03-06-6031	I625-3RBK	
03-06-6032	I625-3R1BK	<b>OBSOLETE</b>
03-06-1034	I625-3R3	
03-06-1038	I625-3R4	



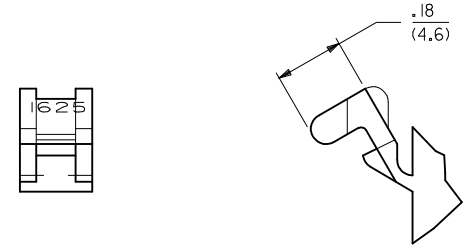
**LEGEND:**  
 I625-3\*\*\*\*  
 CIRCUIT SIZE  
 P = PLUG  
 R = RECEPTACLE

BLANK = WITH STANDARD EARS  
 1 = WITHOUT EARS  
 2 = WITHOUT EARS, WITHOUT DETENTS  
 3 = WITH STD. EARS, WITHOUT DETENTS  
 4 = WITH PREBENT EARS



HOUSING	DIM. "A"	DIM. "B"	"C" PREBENT EAR	"C" STANDARD EAR
PLUG	.754/(19.15)	.318/(8.08)	.19/(4.8)	.18/(4.6)
RECEPT.	.650/(16.51)	.265/(6.73)	.21/(5.3)	.20/(5.1)

**COLOR:**  
 BLANK = NATURAL COLOR  
 AM = AMBER BK = BLACK BU = BLUE  
 BN = BROWN GY = GRAY GN = GREEN  
 OR = ORANGE RD = RED YW = YELLOW



- NOTES:-**
1. MATERIAL: NYLON TYPE 6/6, 94V-2.
  2. FINISH: NONE.
  3. PRODUCT SPECIFICATION: PS-02-06.
  4. PACKAGING SPECS: BULK PACK PER PK-1625-001.
  5. ACCEPTS MOLEX .062" SERIES TERMINALS.

ETCHED CIRCUIT I.D. NUMBERS ON HOUSING MAY OR MAY NOT BE PRESENT.

7. PARTS CONFORM TO CLASS B REQUIREMENTS OF COSMETIC SPECIFICATION PS-45499-002.

<b>REVISE NOTE # 6</b> EC NO: UCP2010-0366 DRW: AELHAG 2009/08/11 CHKD: J.BELL 2009/08/11 APPR: F.S.MITH 2009/08/12	<b>QUALITY SYMBOLS</b> ▽=0 ▽=0	<b>GENERAL TOLERANCES (UNLESS SPECIFIED)</b>		<b>DIMENSION STYLE</b> IN/MM	<b>SCALE</b> 1:1	<b>DESIGN UNITS</b> INCH	THIRD ANGLE PROJECTION
		4 PLACES ± --- ± --- 3 PLACES ± --- ±.010 2 PLACES ± 0.25 ±.014 1 PLACE ± 0.35 ± ---	DRAWN BY KBW DATE 01/26/89	CHECKED BY RW DATE 01/26/89	<b>TITLE</b> PLUG AND RECEPTACLE HOUSINGS, 3 CIRCUIT, .062 DIA.		
		ANGULAR ±1/2°	APPROVED BY RAS DATE 01/26/89	<b>MOLEX INCORPORATED</b>			
		DRAFT WHERE APPLICABLE MUST REMAIN WITHIN DIMENSIONS	MATERIAL NO. <b>SEE CHART</b>	DOCUMENT NO. <b>SD-1625-3*</b>	SHEET NO. 2 OF 2		

THIS DRAWING CONTAINS INFORMATION THAT IS PROPRIETARY TO MOLEX INCORPORATED AND SHOULD NOT BE USED WITHOUT WRITTEN PERMISSION