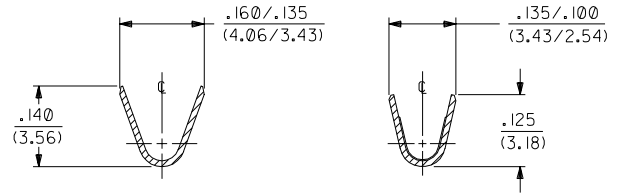
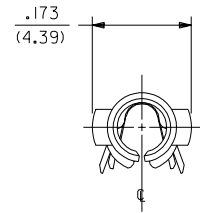
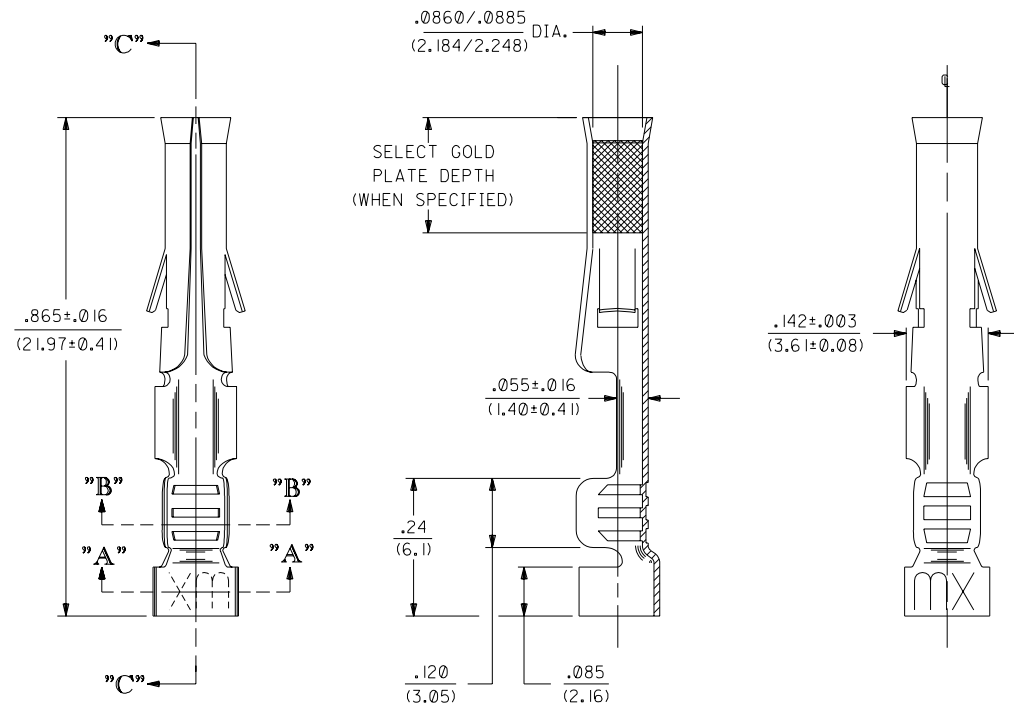


PART NO.	ENG. NO.	
02-09-1203	2151-A(P901)	
02-09-1204	2151-A(P901)LL	
02-09-5203	2151-A(P558)	OBSOLETE



SECTION "A-A" SECTION "B-B"

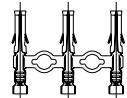


SECTION "C-C"

**LEGEND**  
 2151-A(\*\*\*\*)\*  
 P=PREPLATE BLANK=POSTPLATE  
 FORM BLANK=STD. CHAIN L=LOOSE  
 FINISH CODE

- NOTES:
- MATERIAL: PHOSPHOR BRONZE
  - FINISHES:  
 901 HOT TIN DIP .000020/(0.00051) MIN.  
 558 SELECT GOLD PLATE .000030/(0.00076) MIN. IN CONTACT AREA, OVER .000050/(0.00127) MIN. NICKEL OVERALL WITH .000010/(0.00025) MAX. GOLD FLASH OVERALL.
  - THIS PART CONFORMS TO PRODUCT SPEC. PS-43660-9999.
  - TERMINAL FOR USE WITH .093/(2.36) SERIES HOUSINGS AND WILL ACCEPT 18 THRU 22 AWG WIRE.
  - INSERTION FORCE: 3.5 LBS. AVG. WHEN TERMINAL IS INSERTED INTO AN .093 SERIES HOUSING.
  - CONTACT RETENTION: 20 LBS. MIN. FROM HOUSING.

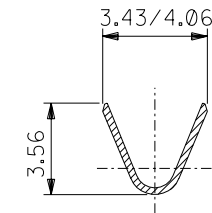
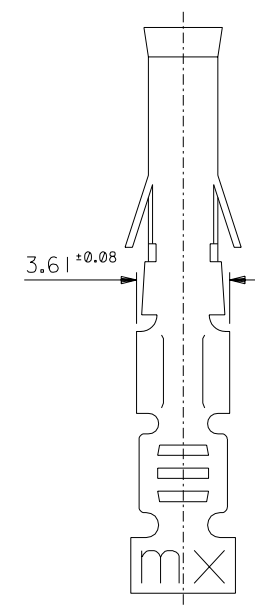
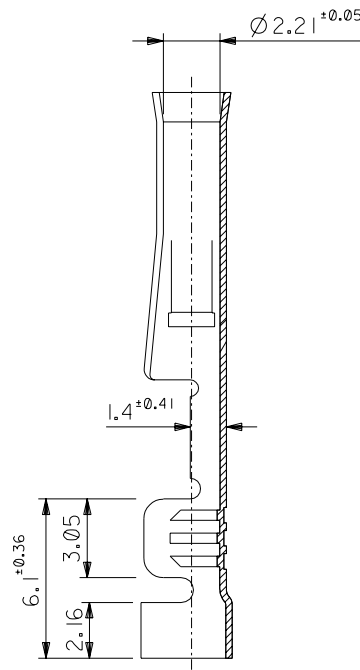
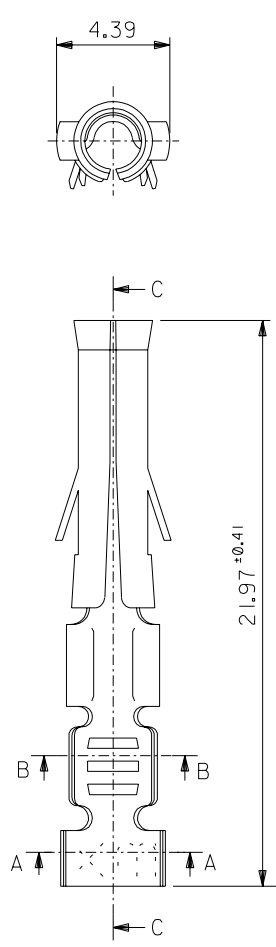
CHAIN FORM FULL SCALE



D	REV BARREL ID UCP*2003-0819 SMITH 11/15/02
C	OBSOLETE P/N UCR2002-0270 COMERCI 01/10/1
B	REVISE PER ECR U5 0799 GC 2/13/95 RW
A	FINAL RELEASE ECR U1 0857 GC 1/21/92 RW

DIMENSIONS SHOWN (METRIC) INCH		▽ = 0 = 0		REVISE ONLY ON CAD SYSTEM	
UNLESS OTHERWISE SPECIFIED TOLERANCES: ANGULAR ± 1/2°					
INCH		METRIC			
3 PLATE	± .010	---	---		
2 PLATE	± .014	± 0.25	---		
1 PLATE	---	± 0.36	---		
DRAFT WHERE APPLICABLE MUST REMAIN WITHIN DIMENSIONS					
DRWG. BY: GC	CHK'D. BY: RW	FILE NAME: SD2151X1.DGN	SHEET NO. 1 of 1	DATE: 6/11/92	
SEE CHART			SD-2151-*		
THIS DRAWING CONTAINS INFORMATION THAT IS PROPRIETARY TO MOLEX INC. AND SHOULD NOT BE USED WITHOUT WRITTEN PERMISSION.					

DWG. NO.  
SD-2151-A(P901)\*



SECT. C-C

SECT. A-A

SECT. B-B

注記 NOTES:

1. 一般公差 : ±0.25  
GENERAL TOLERANCES: ±0.25

錫メッキ TIN PLATING	02-09-1204	2151-A(P901)L	バラ端子 LOOSE
	02-09-1203	2151-A(P901)I	連鎖端子 CHAIN
メッキ PLATING	EDP.NO.	ENG.NO.	形状 FORM

材料 MATERIAL リン青銅 PHOS.BRONZE 0.254t		molex MOLEX-JAPAN CO.,LTD. 日本モレックス株式会社	
仕上げ FINISH		REVISE ONLY ON CAD SYSTEM	
適用電線範囲 WIRE RANGE AWG#18-#22		TITLE 名称	
被覆外径 INS. RANGE $\phi 1.5 \sim 3.1$		.093 DIA. FEMALE TERM.	
DRAWN BY '95/9/11 T.ASAKAWA		CHK'D BY '95/9/11 Y.M.HIRAMOTO	
APP'D BY '95/9/11 M.FUKUSHIMA		DWG. NO.	
DR. 日付 CHK. DATE		SD-2151-A(P901)*	
記号 LTR		REV	
変更内容 REVISION RECORD		B	
新規作成 RELEASED (JC60152)		T.A H.H '95/9/11	
角度 ANGLE		±30	
30 以上 OVER		±0.3	
10 以上 30 未満 OVER UNDER		±0.25	
10 未満 UNDER		±0.2	
一般公差 GENERAL TOLERANCES		±0.25	

THIS DRAWING CONTAINS INFORMATION THAT IS PROPRIETARY TO MOLEX(JAPAN) AND SHOULD NOT BE USED WITHOUT WRITTEN PERMISSION  
本図面は日本モレックス(株)の所有する情報を含むもので、当社の許可なく複製を禁止する。 EN-01C(032)MXJ-32

:MM DIMENSIONS IN METRIC DO NOT SCALE DRAWING

2151.S01