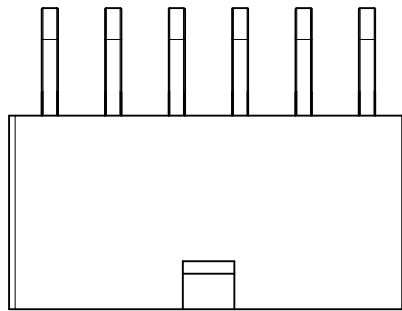


| NATURAL HEADERS |            |           |         |         |         |           |
|-----------------|------------|-----------|---------|---------|---------|-----------|
| PART NUMBER     | ENG NUMBER | CKT. SIZE | PLATING | DIM "A" | DIM "B" | PACKAGING |
| 30070-1232      |            | 12        | GOLD    | 1.039   | .827    | BULK      |
| 30070-1235      |            |           | TIN     | (26.40) | (21.00) |           |
| 30070-1032      |            | 10        | GOLD    | .874    | .661    |           |
| 30070-1035      |            |           | TIN     | (22.20) | (16.80) |           |
| 30070-0832      |            | 8         | GOLD    | .709    | .496    |           |
| 30070-0835      |            |           | TIN     | (18.00) | (12.60) |           |
| 30070-0632      |            | 6         | GOLD    | .543    | .331    |           |
| 30070-0635      |            |           | TIN     | (13.80) | (8.40)  |           |
| 30070-0432      |            | 4         | GOLD    | .378    | .165    |           |
| 30070-0435      |            |           | TIN     | (9.60)  | (4.20)  |           |
| 30070-0232      |            | 2         | GOLD    | .213    | —       |           |
| 30070-0235      |            |           | TIN     | (5.40)  | —       |           |

| BLACK HEADERS |            |           |         |         |         |           |
|---------------|------------|-----------|---------|---------|---------|-----------|
| PART NUMBER   | ENG NUMBER | CKT. SIZE | PLATING | DIM "A" | DIM "B" | PACKAGING |
| 30070-1212    |            | 12        | GOLD    | 1.039   | .827    | BULK      |
| 30070-1215    |            |           | TIN     | (26.40) | (21.00) |           |
| 30070-1012    |            | 10        | GOLD    | .874    | .661    |           |
| 30070-1015    |            |           | TIN     | (22.20) | (16.80) |           |
| 30070-0812    |            | 8         | GOLD    | .709    | .496    |           |
| 30070-0815    |            |           | TIN     | (18.00) | (12.60) |           |
| 30070-0612    |            | 6         | GOLD    | .543    | .331    |           |
| 30070-0615    |            |           | TIN     | (13.80) | (8.40)  |           |
| 15-97-8048    | 30070-04B1 | 4         | GOLD    | .378    | .165    |           |
| 15-97-8043    | 30070-04B3 |           | TIN     | (9.60)  | (4.20)  |           |
| 15-97-8028    | 30070-02B1 | 2         | GOLD    | .213    | —       |           |
| 15-97-8023    | 30070-02B3 |           | TIN     | (5.40)  | —       |           |



FINISHED PART LEGEND

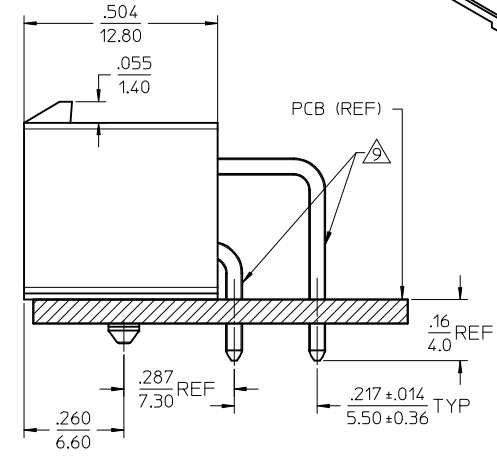
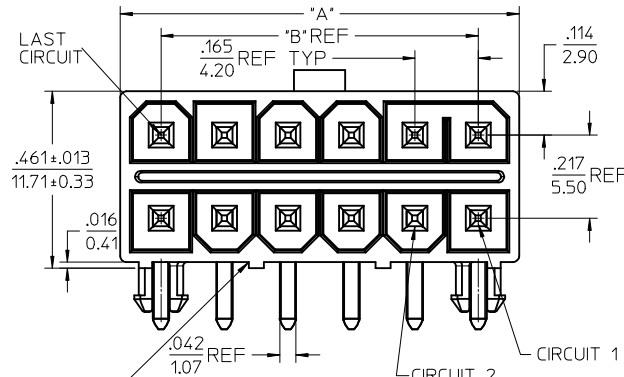
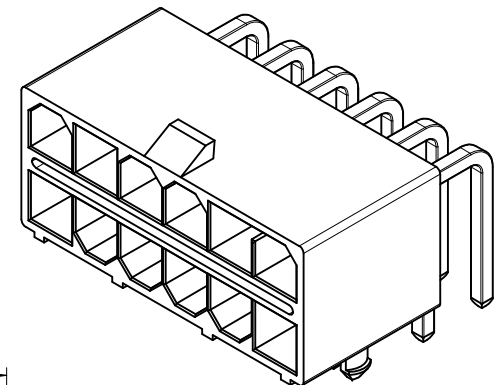
30070 - \* \* \* \* \*

BASE NUMBER

CIRCUIT SIZE

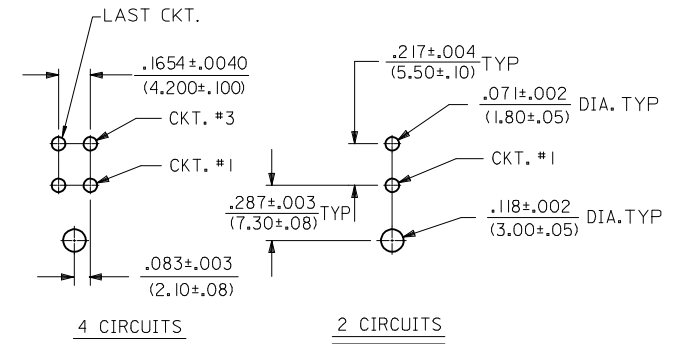
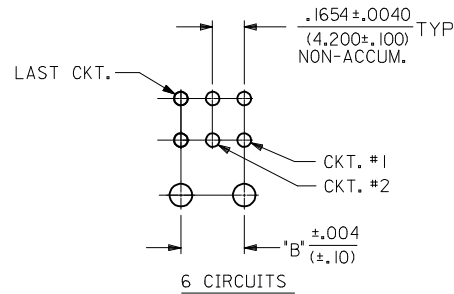
PCB MOUNTING & COLOR  
 \*B\* OR \*1\* = PEG, COLOR = BLACK  
 \*A\* = FLANGE (SEE SHEET 2)  
 \*3\* = PEG, COLOR = NATURAL

PLATING  
 (SEE NOTE 2)



SHOWN WITH OPTIONAL CENTER RIBS  
 MAY OR MAY NOT BE PRESENT  
 DEPENDING ON CIRCUIT SIZE

OPTION 1 AND 3  
 PEG MOUNT  
 SEE SHEET 2 FOR FLANGE MOUNT



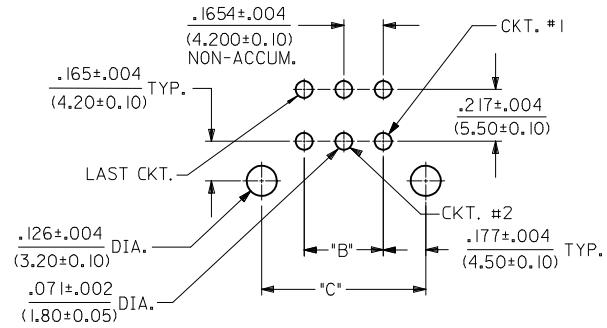
- NOTES:
- MATERIAL:  
HOUSING: POLYESTER, UNFILLED, UL94 V-0, COLOR: SEE CHART  
TERMINALS: BRASS
  - TERMINAL PLATING:  
3 OR 5-.000100/(0.00254) MIN. MATTE TIN OVER .000050/(0.00127) MIN. NICKEL  
1 OR 2-.000030/(0.00076) MIN. SELECT GOLD AND .000100/(0.00254) MIN. SELECT MATTE TIN OVER .000050/(0.00127) MIN. NICKEL OVERALL
  - PRODUCT SPECIFICATION: PS-5556-003
  - PACKAGING: SEE CHARTS: BULK PER PK-30070-001 TRAY PER PK-44483-001
  - PART MATES WITH MINI-FIT JR. TPA RECEPTACLE 30067.
  - PARTS ARE NOT TO BE MATED OR UNMATED WHILE CIRCUITS ARE LIVE.
  - DISCOLORATION ON THE BANDOLIER CARRIER AREA OF THE PIN IS INHERENT TO THE PLATING PROCESS AND IS DUE TO THE MASKING EFFECT OF THE CARRIER. THIS DISCOLORATION IS IN A NON-FUNCTIONAL AREA OF THE PIN AND WILL NOT AFFECT THE PREFORMRANCE OF THE HEADER ASSEMBLY.
  - PARTS CONFORM TO CLASS "B" REQUIREMENTS OF COSMETIC SPECIFICATION PS-45499-002.
  - FORMING MARKS ARE ACCEPTABLE.
  - PARTS ARE NOT DESIGNED FOR CURRENT SHARING.

RECOMMENDED HOLE LAYOUT FOR .070/(1.78) MAX. P.C.B. BOARD  
 VIEWED FROM COMPONENT SIDE OF BOARD

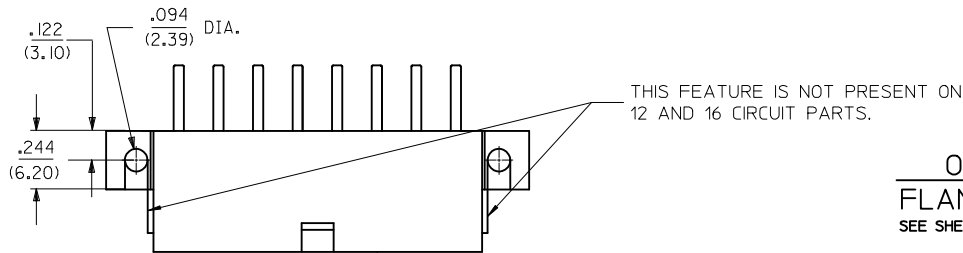
|   |             |                 |  |                   |   |   |                        |  |
|---|-------------|-----------------|--|-------------------|---|---|------------------------|--|
| ADD TRAY PACK OPTION<br>EC NO: UCP2014-0823<br>DRWINANGUYEN 2013/08/21<br>CHKD: JBELL 2013/08/21<br>APPR: FSMITH 2013/08/22 | DESCRIPTION | QUALITY SYMBOLS | GENERAL TOLERANCES (UNLESS SPECIFIED)                | DIMENSION STYLE   | SCALE   | DESIGN UNITS                            | THIRD ANGLE PROJECTION |  |
|   |             | ▽=0             | mm INCH  | IN/MM             | 4:1   | METRIC                                  |                        |  |
|   |             | ▽=0             | 4 PLACES ± --- ± ---                                 | DRAWN BY DATE     | TITLE   | MINI-FIT TPA<br>RIGHT ANGLE HEADER ASSY |                        |  |
|   |             | ▽=0             | 3 PLACES ± --- ± .010                                | CHECKED BY DATE   |   |   |                        |  |
| REV   |             | ANGULAR ±1/2°   | DRAFT WHERE APPLICABLE MUST REMAIN WITHIN DIMENSIONS | APPROVED BY DATE  | DOCUMENT NO.  |   |                        |  |
| D3  |             |                 |  | FSMITH 2010/04/09 | SD-30070-001  |   |                        |  |
|   |             |                 |  | SIZE C            | SHEET NO. 1 OF 2  |   |                        |  |
|   |             |                 |  |                   | THIS DRAWING CONTAINS INFORMATION THAT IS PROPRIETARY TO MOLEX INCORPORATED AND SHOULD NOT BE USED WITHOUT WRITTEN PERMISSION |   |                        |  |

# BLACK FLANGE MOUNT HEADERS

| CKT. SIZE | PART NUMBER | ENG NUMBER | PLATING | DIM "A" | DIM "B" | DIM "C" | DIM "D" | PACKAGING |      |
|-----------|-------------|------------|---------|---------|---------|---------|---------|-----------|------|
| 2         | 15-97-8022  | 30070-02A3 | TIN     | .213    | ---     | .354    | .606    | BULK      |      |
|           | 15-97-8027  | 30070-02A1 | GOLD    | (5.40)  | ---     | (9.00)  | (15.40) |           |      |
| 4         | 15-97-8042  | 30070-04A3 | TIN     | .378    | .165    | .520    | .772    |           |      |
|           | 15-97-8047  | 30070-04A1 | GOLD    | (9.60)  | (4.20)  | (13.20) | (19.60) |           |      |
| 6         | 15-97-8062  | 30070-06A3 | TIN     | .543    | .331    | .685    | .937    |           |      |
|           | 15-97-8067  | 30070-06A1 | GOLD    | (13.80) | (8.40)  | (17.40) | (23.80) |           |      |
| 8         | 15-97-8082  | 30070-08A3 | TIN     | .709    | .496    | .850    | 1.102   |           |      |
|           | 15-97-8087  | 30070-08A1 | GOLD    | (18.00) | (12.60) | (21.60) | (28.00) |           |      |
| 10        | 15-97-8102  | 30070-10A3 | TIN     | .874    | .661    | 1.016   | 1.268   |           |      |
|           | 15-97-8107  | 30070-10A1 | GOLD    | (22.20) | (16.80) | (25.80) | (32.20) |           |      |
| 12        | 15-97-8122  | 30070-12A3 | TIN     | 1.039   | .827    | 1.181   | 1.433   |           |      |
|           | 15-97-8127  | 30070-12A1 | GOLD    | (26.40) | (21.00) | (30.00) | (36.40) |           |      |
| 16        | 15-97-8162  | 30070-16A3 | TIN     | 1.370   | 1.157   | 1.512   | 1.764   |           | TRAY |
|           | 15-97-8167  | 30070-16A1 | GOLD    | (34.80) | (29.40) | (38.40) | (44.80) |           |      |

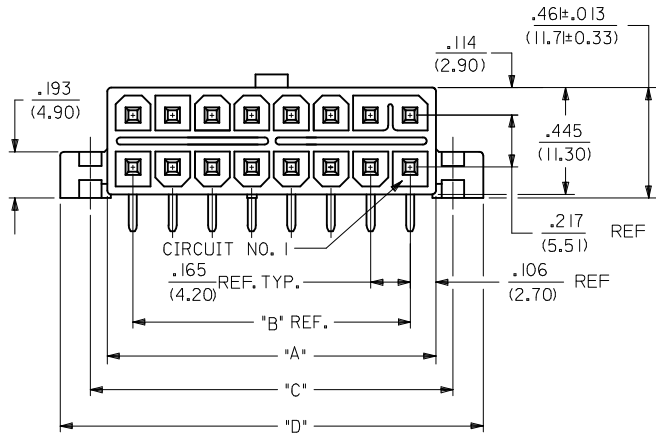
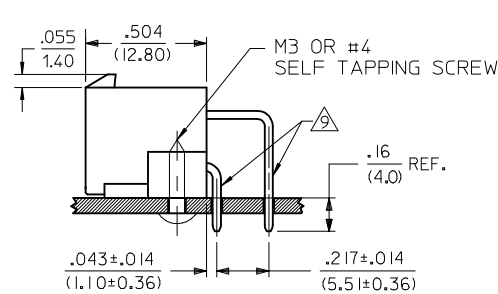
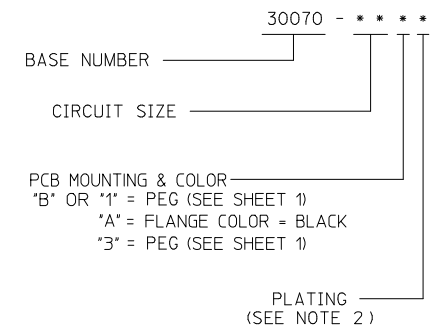


RECOMMENDED HOLE LAYOUT FOR .070/(1.78) MAX. P.C. BOARD  
VIEWED FROM COMPONENT SIDE OF BOARD



## OPTION 2 FLANGE MOUNT SEE SHEET 1 FOR PEG MOUNT

### FINISHED PART LEGEND



|   |                                      |  |                       |                           |                      |  |                        |   |                        |                    |
|---|--------------------------------------|--|-----------------------|---------------------------|----------------------|--|------------------------|---|------------------------|--------------------|
| SEE SHEET 1<br>EC NO: UCP2014-0823<br>2013/08/21<br>DRAWN: NGUYEN<br>CHKD: J.BELL<br>2013/08/21<br>APPR: FSMITH<br>2013/08/22 | QUALITY SYMBOLS<br>▽=0<br>▽=0<br>▽=0 | GENERAL TOLERANCES (UNLESS SPECIFIED)                      |                       | DIMENSION STYLE<br>IN/MM  |                      | SCALE<br>4:1   | DESIGN UNITS<br>METRIC | THIRD ANGLE PROJECTION                  |                        |                    |
|   |                                      | 4 PLACES ± --- ± ---                                       | 3 PLACES ± --- ± .010 | 2 PLACES ± 0.25 ± .014    | 1 PLACE ± 0.36 ± --- | 0 PLACE ± ±  | DRAWN BY<br>TGREGORI   | DATE<br>2006/03/28                      | CHECKED BY<br>JCOMERCI | DATE<br>2006/03/28 |
|   |                                      | ANGULAR ±1/2°  |                       | MATERIAL NO.<br>SEE CHART |                      | DOCUMENT NO.<br>SD-30070-001   |                        | MINI-FIT TPA<br>RIGHT ANGLE HEADER ASSY |                        |                    |
|   |                                      | DRAFT WHERE APPLICABLE<br>MUST REMAIN<br>WITHIN DIMENSIONS |                       | SIZE<br>C                 |                      | THIS DRAWING CONTAINS INFORMATION THAT IS PROPRIETARY TO MOLEX<br>INCORPORATED AND SHOULD NOT BE USED WITHOUT WRITTEN PERMISSION |                        |   |                        |                    |

**molex**

SHEET NO.  
2 OF 2