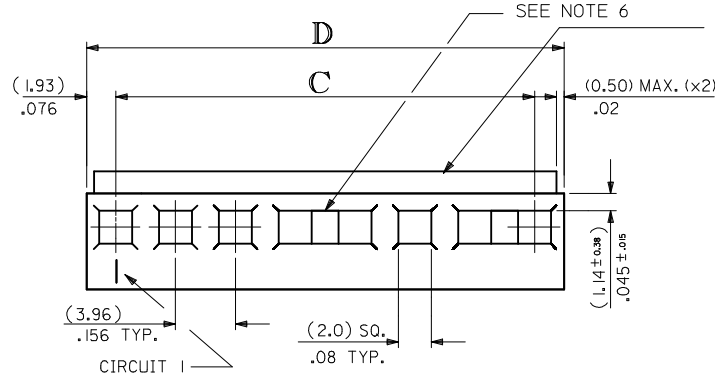
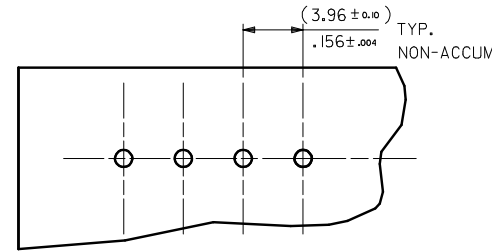
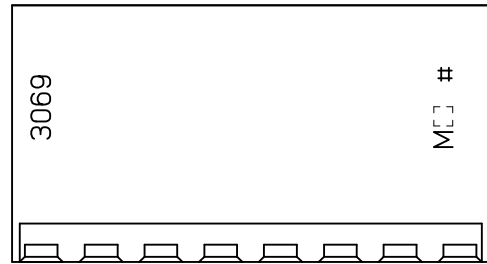


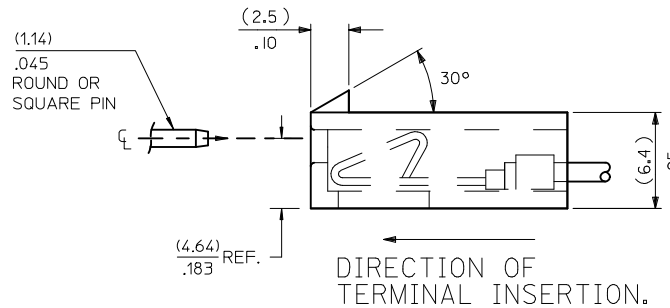
OPTIONAL WINDOW DETAIL



RECOMMENDED P/C BOARD



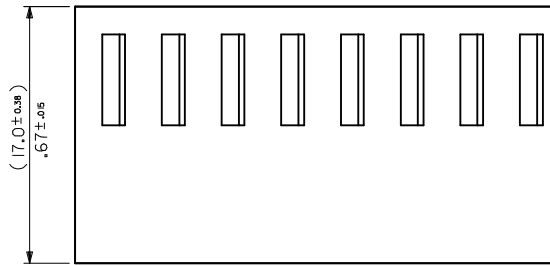
LOCKING RAMP OPTIONAL



DIRECTION OF TERMINAL INSERTION.

NOTES:

1. MATERIAL: UL94V-2 NYLON, IEC 60335-1 5TH EDITION GLOW WIRE CAPABLE. COLOR: BLACK
2. FINISH: N/A
3. PRODUCT SPECIFICATION: PS-99020-0087
4. FOR USE WITH TERMINAL No. 2478 OR 2578
5. ASSEMBLED CONNECTOR MATES WITH (1.14)/0.045 SQUARE OR ROUND PIN.
6. EXTENDED PIN ENTRY WINDOWS ARE POSSIBLE.
7. THIS PART CONFORMS TO CLASS B REQUIRMENTS OF COSMETIC SPECIFICATION PS-45499-002.



No. OF CCTS.	C	D
2	(3.96 ± 0.10) .156 ± .005	(7.82 ± 0.25) .308 ± .010
3	(7.92 ± 0.15) .312 ± .005	(11.79 ± 0.25) .464 ± .010
4	(11.89 ± 0.15) .468 ± .005	(15.75 ± 0.25) .620 ± .010
5	(15.85 ± 0.15) .624 ± .005	(19.71 ± 0.25) .776 ± .010
6	(19.81 ± 0.15) .780 ± .005	(23.67 ± 0.25) .932 ± .010
7	(23.77 ± 0.15) .936 ± .005	(27.64 ± 0.31) 1.088 ± .012
8	(27.74 ± 0.25) 1.092 ± .010	(31.60 ± 0.31) 1.244 ± .012
9	(31.70 ± 0.25) 1.248 ± .010	(35.56 ± 0.31) 1.400 ± .012
10	(35.66 ± 0.25) 1.404 ± .010	(39.52 ± 0.31) 1.556 ± .012
11	(39.62 ± 0.25) 1.560 ± .010	(43.48 ± 0.31) 1.712 ± .012
12	(43.59 ± 0.25) 1.716 ± .010	(47.45 ± 0.31) 1.868 ± .012
13	(47.55 ± 0.31) 1.872 ± .012	(51.41 ± 0.36) 2.024 ± .014
14	(51.51 ± 0.36) 2.028 ± .014	(55.37 ± 0.36) 2.180 ± .014
15	(55.47 ± 0.36) 2.184 ± .014	(59.33 ± 0.36) 2.336 ± .014
16	(59.44 ± 0.36) 2.340 ± .014	(63.30 ± 0.36) 2.492 ± .014
17	(63.40 ± 0.36) 2.496 ± .014	(67.26 ± 0.36) 2.648 ± .014
18	(67.36 ± 0.36) 2.652 ± .014	(71.22 ± 0.36) 2.804 ± .014
19	(71.32 ± 0.36) 2.808 ± .014	(75.18 ± 0.36) 2.960 ± .014
20	(75.29 ± 0.36) 2.964 ± .014	(79.15 ± 0.46) 3.116 ± .018

ADD 4.64 REF. IEC NO: UCP2014-0496 DRWN:KIPPER 2013/08/06 CHKD:JBELL 2013/08/06 APPR:FSMITH 2013/08/06 REV: B2	QUALITY SYMBOLS ▽=0 ▽=0 ▽=0	GENERAL TOLERANCES (UNLESS SPECIFIED) mm INCH		DIMENSION STYLE MM/IN		SCALE 4:1	DESIGN UNITS METRIC	THIRD ANGLE PROJECTION
		4 PLACES ± --- ± ---	BRIAN RUTTLE 10/12/2007	HOUSING KK CONNECTOR (3.96)/0.156 CRIMP GLOW WIRE VERSION molex DOCUMENT NO. SD-3069-GN*** SHEET NO. 1 OF 2				
		3 PLACES ± --- ± .010	CHECKED BY DATE					
		2 PLACES ± 0.25 ± .014	B.MAGUIRE 12/12/2007					
1 PLACE ± 0.35 ± ---	APPROVED BY DATE							
0 PLACE ± --- ± ---	B.MAGUIRE 14/12/2007	MATERIAL NO. SEE CHART		THIS DRAWING CONTAINS INFORMATION THAT IS PROPRIETARY TO MOLEX INCORPORATED AND SHOULD NOT BE USED WITHOUT WRITTEN PERMISSION				

No. OF CCTS.	ENG. No.	PART No.	LOCKING RAMP
2	3069-G02	09-93-0200	YES
	▲ -G022	▲ -94-0200	NO
3	-G03	-93-0300	YES
	-G032	-94-0300	NO
4	-G04	-93-0400	YES
	-G042	-94-0400	NO
5	-G05	-93-0500	YES
	-G052	-94-0500	NO
6	-G06	-93-0600	YES
	-G062	-94-0600	NO
7	-G07	-93-0700	YES
	-G072	-94-0700	NO
8	-G08	-93-0800	YES
	-G082	-94-0800	NO
9	-G09	-93-0900	YES
	-G092	-94-0900	NO
10	-G10	-93-1000	YES
	-G102	-94-1000	NO
11	-G11	-93-1100	YES
	-G112	-94-1100	NO
12	-G12	-93-1200	YES
	-G122	-94-1200	NO
13	-G13	-93-1300	YES
	-G132	-94-1300	NO
14	-G14	-93-1400	YES
	-G142	-94-1400	NO
15	-G15	-93-1500	YES
	-G152	-94-1500	NO
16	-G16	-93-1600	YES
	-G162	-94-1600	NO
17	-G17	-93-1700	YES
	-G172	-94-1700	NO
18	-G18	-93-1800	YES
	-G182	-94-1800	NO
19	-G19	-93-1900	YES
	-G192	-94-1900	NO
20	▼ -G20	▼ -93-2000	YES
	3069-G202	09-94-2000	NO

ENG. No. DESIGNATION

3069 - G N 2

"G" GLOW WIRE CAPABLE
SEE NOTE 1

NO. OF CKT'S

"2" INDICATES HOUSING WITHOUT RAMP
"BLANK" INDICATES HOUSING WITH RAMP

SEE SHEET 1 EEC NO: UCP2014-0496 DRW:MKLIPPER 2013/08/06 CHKD:JBELL 2013/08/06 APPR:FSM1TH 2013/08/06	DESCRIPTION REV B2	QUALITY SYMBOLS	GENERAL TOLERANCES (UNLESS SPECIFIED)	DIMENSION STYLE	SCALE	DESIGN UNITS	THIRD ANGLE PROJECTION	
		$\nabla = 0$ $\nabla = 0$ $\nabla = 0$	mm INCH 4 PLACES ± --- ± --- 3 PLACES ± --- ± .010 2 PLACES ± 0.25 ± .014 1 PLACE ± 0.35 ± --- 0 PLACE ± --- ± ---	MM/IN	1:1	METRIC	DRAWN BY DATE BRIAN RUTTLE 10/12/2007 CHECKED BY DATE B. MAGUIRE 12/12/2007 APPROVED BY DATE B. MAGUIRE 14/12/2007	TITLE HOUSING KK CONNECTOR (3.96)/0.156 CRIMP GLOW WIRE VERSION
		ANGULAR ± 2 ° DRAFT WHERE APPLICABLE MUST REMAIN WITHIN DIMENSIONS	SEE CHART	MATERIAL NO.	DOCUMENT NO.	SHEET NO.		
		SIZE B	THIS DRAWING CONTAINS INFORMATION THAT IS PROPRIETARY TO MOLEX INCORPORATED AND SHOULD NOT BE USED WITHOUT WRITTEN PERMISSION		SD-3069-GN***	2 OF 2		