

**20 CIRCUIT MALE INLINE
HARNESS ASSEMBLY SHOWN.**

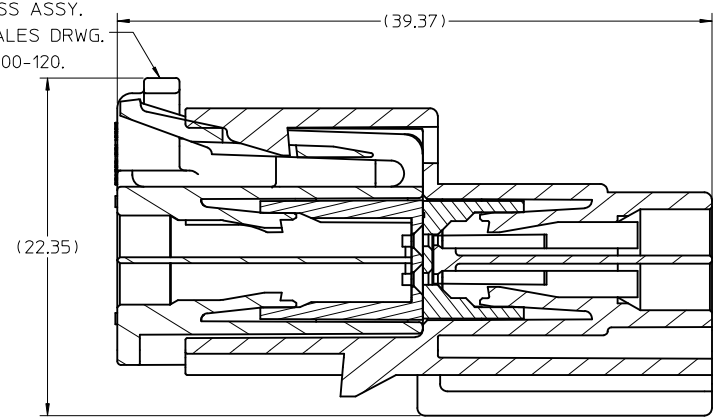
NOTES:

1. MATERIAL: HOUSING: SPS GLASS FILLED, COLOR SEE CHART. TPA: PBT.
2. PACKAGING SPECIFICATION: DRAWINGS BULK ----- PK-30907-760 PARTITION --- PK-31302-105
3. PACKAGING: REFERENCE MOLEX SPECIFICATION PS-34646-001. AVAILABLE AT WWW.MOLEX.COM (REFERENCE: TPA'S THAT ARE FOUND IN SEATED (FINAL LOCK) POSITION.
4. MATES WITH: SEE SALES DRAWING SD-30700-120 CONNECTOR IS DESIGNED FOR USE WITH TYCO TERMINAL PART NUMBERS: 1-1419158-6(22-24 AWG) AND 2-1419158-5 (18-20 AWG).
5. APPLICATION SPECIFICATION SEE: AS-30700-000
6. PRODUCT SPECIFICATION SEE: PS-30968-0001

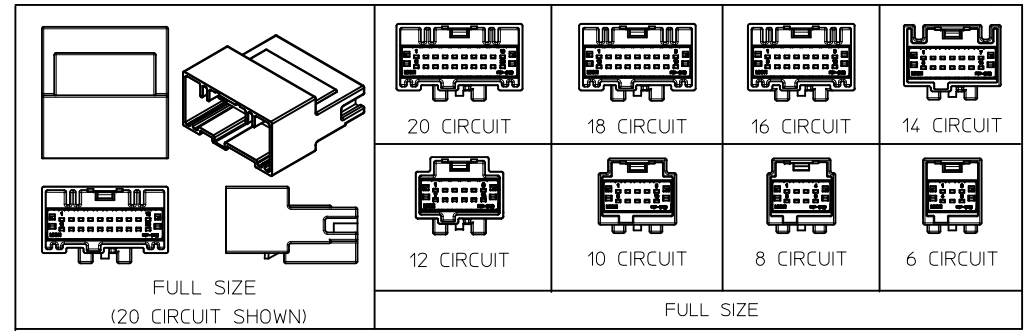
EC NO: UAU2013-1205 DRWN: BSCUDDER2013/02/06 CHKD: APPR: DC_LISLE 2013/02/19	QUALITY SYMBOLS ▼ - 0 ∇ - 0	GENERAL TOLERANCES (UNLESS SPECIFIED)		SCALE 2:1	DESIGN UNITS METRIC	THIRD ANGLE PROJECTION	REVISE ON CAD ONLY		
		4 PLACES ± --- ± ---	3 PLACES ± --- ± ---	DIMENSION STYLE MM ONLY		TITLE SLEEVE ASSEMBLY WIRE CONNECTOR MALE			
		2 PLACES ± 0.13 ± ---	1 PLACE ± 0.25 ± ---	ANGULAR ± 1/2°		DRAWN BY JKSIK DATE 99/09/03	MOLEX INCORPORATED		
		DRAFT WHERE APPLICABLE MUST REMAIN WITHIN DIMENSIONS		APPROVED BY BWILSON DATE 99/10/28	CHECKED BY LGIB DATE 99/10/28	MATERIAL NO. SEE CHART	DOCUMENT NO. SD-30968-120	SHEET NO. 1 OF 2	

THIS DRAWING CONTAINS INFORMATION THAT IS PROPRIETARY TO MOLEX INCORPORATED AND SHOULD NOT BE USED WITHOUT WRITTEN PERMISSION

HARNESS ASSY.
SEE SALES DRWG.
SD-30700-120.



SECTION B-B
MATED VIEW



PACKAGING		POLARIZATION OPTIONS & CIRCUIT SIZE				PRODUCT DIMENSIONS					
ASSEMBLY P/N PARTITION PACKED	ASSEMBLY P/N BULK PACKED	MALE INLINE HARNESS ASSEMBLY (POLARIZATION OPTIONS)	CIRCUIT SIZE	'A'	'B'	'C'	'D'	'E'	'F'	HOUSING COLOR	
	30968-1060	POLARIZATION OPTION #1	6	3.76	13.51	15.61	19.78	17.58	10.37	GRAY	
	30968-1061	POLARIZATION OPTION #2	6	6.76	13.51	15.61	19.78	17.58	10.37	BLACK	
	30968-1062	POLARIZATION OPTION #3	6	9.76	13.51	15.61	19.78	17.58	10.37	NATURAL (CREAM)	
	30968-1080	POLARIZATION OPTION #1	8	5.03	16.05	18.05	19.78	17.58	10.38	GRAY	
	30968-1081	POLARIZATION OPTION #2	8	8.03	16.05	18.05	19.78	17.58	10.38	BLACK	
	30968-1082	POLARIZATION OPTION #3	8	11.03	16.05	18.05	19.78	17.58	10.38	NATURAL (CREAM)	
30968-9100	30968-1100	POLARIZATION OPTION #1	10	6.30	18.59	20.69	19.78	17.58	10.37	GRAY	
30968-9101	30968-1101	POLARIZATION OPTION #2	10	9.30	18.59	20.69	19.78	17.58	10.37	BLACK	
	30968-1102	POLARIZATION OPTION #3	10	12.30	18.59	20.69	19.78	17.58	10.37	NATURAL (CREAM)	
	30968-1123	POLARIZATION OPTION #1 W/ CHRISTMAS TREE ATTACHMENT	12	7.57	20.98	23.23	20.34	17.64	10.34	GRAY	
	30968-1127	POLARIZATION OPTION #1	12	7.57	21.28	23.23	20.34	17.64	10.34	GRAY	
	30968-1126	POLARIZATION OPTION #2 W/ CHRISTMAS TREE ATTACHMENT	12	10.57	20.98	23.23	20.34	17.64	10.34	BLACK	
	30968-1128	POLARIZATION OPTION #2	12	10.57	21.28	23.23	20.34	17.64	10.34	BLACK	
	30968-1129	POLARIZATION OPTION #3	12	13.57	21.28	23.23	20.34	17.64	10.34	NATURAL (CREAM)	
	30968-1140	POLARIZATION OPTION #1	14	8.84	23.67	25.77	19.78	17.58	10.37	GRAY	
	30968-1141	POLARIZATION OPTION #2	14	11.84	23.67	25.77	19.78	17.58	10.37	BLACK	
	30968-1142	POLARIZATION OPTION #3	14	14.84	23.67	25.77	19.78	17.58	10.37	NATURAL (CREAM)	
	30968-1167	POLARIZATION OPTION #1	16	10.11	26.36	28.31	20.34	17.64	10.34	GRAY	
	30968-1164	POLARIZATION OPTION #1 W/ CHRISTMAS TREE ATTACHMENT	16	10.11	26.06	28.31	20.34	17.64	10.34	GRAY	
	30968-1168	POLARIZATION OPTION #2	16	13.11	26.36	28.31	20.34	17.64	10.34	BLACK	
	30968-1169	POLARIZATION OPTION #3	16	16.11	26.36	28.31	20.34	17.64	10.34	NATURAL (CREAM)	
	30968-1187	POLARIZATION OPTION #1	18	11.38	28.90	30.85	20.34	17.64	10.34	GRAY	
	30968-1188	POLARIZATION OPTION #2	18	14.38	28.90	30.85	20.34	17.64	10.34	BLACK	
	30968-1189	POLARIZATION OPTION #3	18	17.38	28.90	30.85	20.34	17.64	10.34	NATURAL (CREAM)	
	30968-1207	POLARIZATION OPTION #1	20	12.65	31.44	33.39	20.34	17.64	10.34	GRAY	
	30968-1208	POLARIZATION OPTION #2	20	15.65	31.44	33.39	20.34	17.64	10.34	BLACK	
	30968-1209	POLARIZATION OPTION #3	20	18.65	31.44	33.39	20.34	17.64	10.34	NATURAL (CREAM)	

SEE ECN# UAU2001-0258 EC NO: UAU2013-1205 DRWN: BSCUDDER2013/02/06 CHKD: APPR: DC_LISLE 2013/02/19	QUALITY SYMBOLS	GENERAL TOLERANCES (UNLESS SPECIFIED) DIMENSION STYLE MM ONLY 4 PLACES ± --- ± --- 3 PLACES ± --- ± --- 2 PLACES ± 0.13 ± --- 1 PLACE ± 0.25 ± --- ANGULAR ± 1/2° DRAFT WHERE APPLICABLE MUST REMAIN WITHIN DIMENSIONS	SCALE	DESIGN UNITS	THIRD ANGLE PROJECTION REVISE ON CAD ONLY TITLE SLEEVE ASSEMBLY WIRE CONNECTOR MALE MOLEX MOLEX INCORPORATED APPROVED BY DATE MATERIAL NO. DOCUMENT NO. SHEET NO. BWILSON 99/10/28 SEE CHART SD-30968-120 2 OF 2 THIS DRAWING CONTAINS INFORMATION THAT IS PROPRIETARY TO MOLEX INCORPORATED AND SHOULD NOT BE USED WITHOUT WRITTEN PERMISSION
	REV		mm	METRIC	
	DESCRIPTION		INCH	DRAWN BY	
				DATE	
				CHECKED BY	