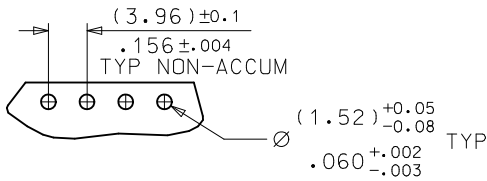
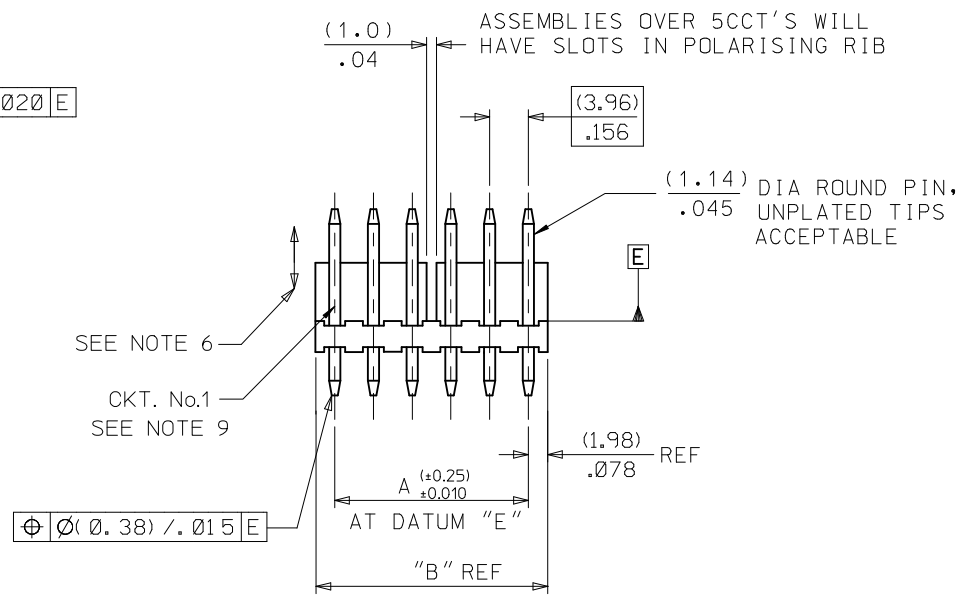
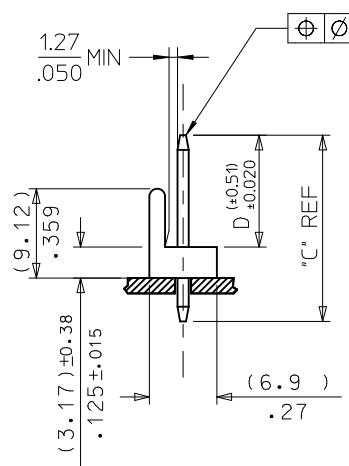


	10	9	8	7	6	5	4	3	2	1
	ENG No:			AE-3190-NA						
	DIM "D"			(11.43) .450						
	DIM "C"			(19.05) .750						
	CCT SIZE	DIM "A"	DIM "B"	PART No						
F	2	(3.96) .156	(7.92) .312	26-19-2021						
	3	(7.92) .312	(11.89) .468	26-19-2031						
E	4	(11.89) .468	(15.85) .624	26-19-2041						
	5	(15.85) .624	(19.81) .780	26-19-2051						
	6	(19.81) .780	(23.77) .936	26-19-2061						
	7	(23.77) .936	(27.74) 1.092	26-19-2071						
D	8	(27.74) 1.092	(31.70) 1.248	26-19-2081						
	9	(31.70) 1.248	(35.66) 1.404	26-19-2091						
	10	(35.66) 1.404	(39.62) 1.560	26-19-2101						
	11	(39.62) 1.560	(43.59) 1.716	26-19-2111						
	12	(43.59) 1.716	(47.55) 1.872	26-19-2121						
C	13	(47.55) 1.872	(51.51) 2.028	26-19-2131						
	14	(51.51) 2.028	(55.47) 2.184	26-19-2141						
	15	(55.47) 2.184	(59.44) 2.340	26-19-2151						
	16	(59.44) 2.340	(63.40) 2.496	26-19-2161						
B	17	(63.40) 2.496	(67.36) 2.652	26-19-2171						
	18	(67.36) 2.652	(71.32) 2.808	26-19-2181						
	19	(71.32) 2.808	(75.29) 2.964	26-19-2191						
A	20	(75.29) 2.964	(79.25) 3.120	26-19-2201						



RECOMMENDED PCB HOLE DIMENSIONS

- NOTES:
1. MATERIAL: HOUSING: NYLON, UL94V-2, COLOR: NATURAL  
PINS: BRASS
  2. FINISH: (0.00254)/.000100 MIN. MATTE TIN OVER  
(0.00127)/.000050 MIN. NICKEL  
UNPLATED TIPS ACCEPTABLE
  3. PRODUCT SPECIFICATION: PS-99020-0087
  4. PACKAGING SPECIFICATION: PER PK-3190-001
  5. THIS PART CONFORMS TO CLASS B REQUIREMENTS OF  
COSMETIC SPECIFICATION PS-45499-002.
  6. PIN PUSHOUT FORCE 3 LBS MIN.
  7. PIN MUST CONFORM TO MOLEX SOLDERABILITY SPEC  
SMES-152 AFTER PLATING.
  8. RECOMMENDED PCB BOARD 1.6MM
  9. CIRCUIT 1 USED TO DEFINE VOID LOCATION. CIRCUIT 1  
MAY OR MAY NOT ALIGN WITH CIRCUIT 1 OF THE MATING PART.

<b>REVISE NOTE 2</b> EC NO: UCP2012-1821 DRAWN:MMSTROH 2011/11/29 CHKD:HKIPPER 2011/12/02 APPR:FSMITH 2012/02/02 REV <b>AD</b>	QUALITY SYMBOLS $\nabla Z=0$ $\nabla E=0$ $\nabla E=0$	GENERAL TOLERANCES (UNLESS SPECIFIED) mm INCH 4 PLACES ± --- ± --- 3 PLACES ± --- ± .010 2 PLACES ± 0.25 ± .014 1 PLACE ± 0.35 ± --- ANGULAR ± 1/2°	DIMENSION STYLE MM/IN DRAWN BY DATE T. MOHON 1998/10/02 CHECKED BY DATE M. GOONEY 1998/10/02 APPROVED BY DATE MWILHITE 1998/10/02	SCALE 2:1 DESIGN UNITS METRIC THIRD ANGLE PROJECTION	TITLE <b>WAFER POL KK .156 FOR .045 ROUND PINS</b>
	DRAFT WHERE APPLICABLE MUST REMAIN WITHIN DIMENSIONS	MATERIAL NO. <b>SEE CHART</b>	DOCUMENT NO. <b>SDAE-3190-N**</b>	SHEET NO. <b>1 OF 2</b>	
	SIZE <b>B</b>	THIS DRAWING CONTAINS INFORMATION THAT IS PROPRIETARY TO MOLEX INCORPORATED AND SHOULD NOT BE USED WITHOUT WRITTEN PERMISSION			
	MOLEX MOLEX INCORPORATED				