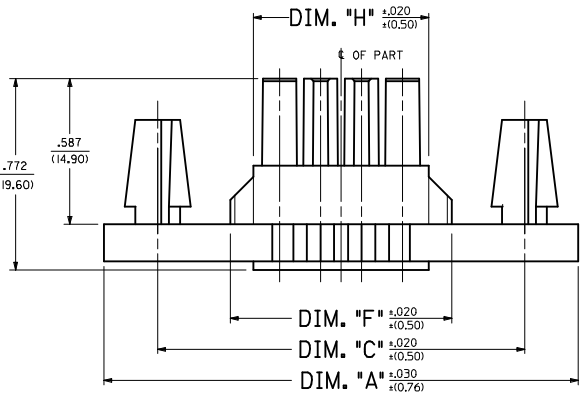
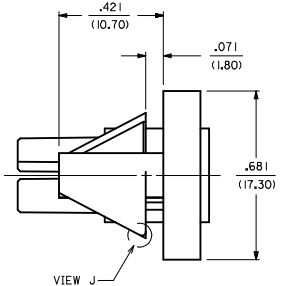
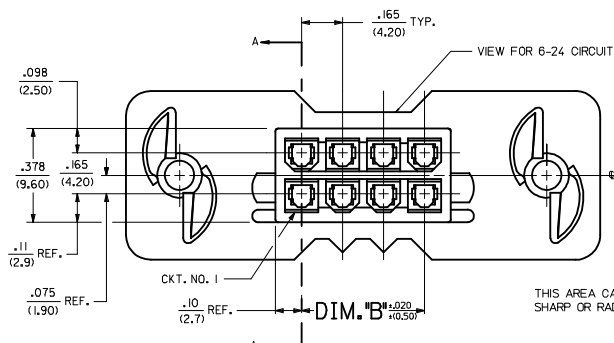
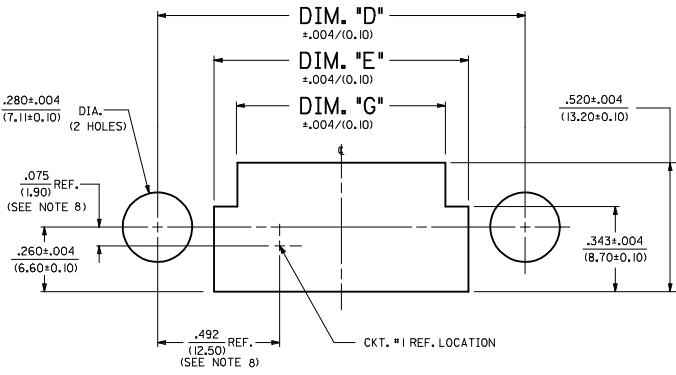


SECTION "A-A"
TERMINAL ORIENTATION



2-8 & 12-24 CIRCUIT HEADER
(SEE SHEET 2 FOR 10 CIRCUIT HEADER DESIGN)



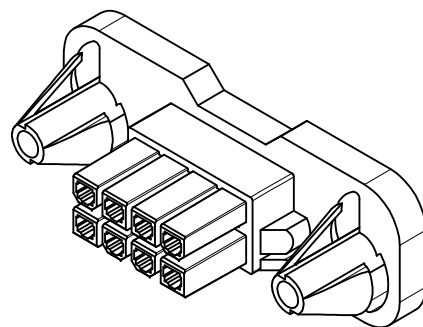
RECOMMENDED PANEL CUT-OUT FOR .050±0.012(1.27±0.30) THICK PANEL
(SEE NOTE 11)

LEGEND:
42474 - ** * 1
BASE NUMBER
CIRCUIT SIZE (02-24)
MATERIAL (SEE NOTE 1.)

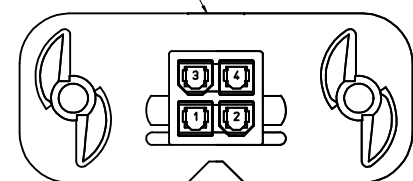
| CKT. SIZE | DIM. "A" | DIM. "B" | DIM. "C" | DIM. "D" | DIM. "E" | DIM. "F" | DIM. "G" | DIM. "H" |
|-----------|---------------|---------------|---------------|---------------|---------------|---------------|---------------|---------------|
| 2 | 1.417 (36.00) | N/A | .984 (25.00) | .984 (25.00) | .528 (13.40) | .398 (10.10) | .343 (8.70) | .213 (5.40) |
| 4 | 1.583 (40.20) | .165 (4.20) | 1.150 (29.20) | 1.150 (29.20) | .693 (17.60) | .563 (14.30) | .508 (12.90) | .378 (9.60) |
| 6 | 1.749 (44.40) | .331 (8.40) | 1.315 (33.40) | 1.315 (33.40) | .898 (22.80) | .728 (18.50) | .673 (17.10) | .543 (13.80) |
| 8 | 1.913 (48.60) | .496 (12.60) | 1.480 (37.60) | 1.480 (37.60) | 1.024 (26.00) | .894 (22.70) | .839 (21.30) | .709 (18.00) |
| 10 | 2.078 (52.80) | .661 (16.80) | 1.645 (41.80) | 1.645 (41.80) | 1.189 (30.20) | 1.059 (26.90) | 1.004 (25.50) | .874 (22.20) |
| 12 | 2.244 (57.00) | .827 (21.00) | 1.811 (46.00) | 1.811 (46.00) | 1.354 (34.40) | 1.224 (31.10) | 1.169 (29.70) | 1.039 (26.40) |
| 14 | 2.409 (61.20) | .992 (25.20) | 1.976 (50.20) | 1.976 (50.20) | 1.520 (38.60) | 1.390 (35.30) | 1.335 (33.90) | 1.205 (30.60) |
| 16 | 2.575 (65.40) | 1.157 (29.40) | 2.142 (54.40) | 2.142 (54.40) | 1.685 (42.80) | 1.555 (39.50) | 1.500 (38.10) | 1.370 (34.80) |
| 18 | 2.740 (69.60) | 1.323 (33.60) | 2.307 (58.60) | 2.307 (58.60) | 1.850 (47.00) | 1.720 (43.70) | 1.665 (42.30) | 1.535 (39.00) |
| 20 | 2.906 (73.80) | 1.488 (37.80) | 2.472 (62.80) | 2.472 (62.80) | 2.016 (51.20) | 1.886 (47.90) | 1.831 (46.50) | 1.701 (43.20) |
| 22 | 3.071 (78.00) | 1.653 (42.00) | 2.638 (67.00) | 2.638 (67.00) | 2.181 (55.40) | 2.051 (52.10) | 1.996 (50.70) | 1.866 (47.40) |
| 24 | 3.236 (82.20) | 1.819 (46.20) | 2.803 (71.20) | 2.803 (71.20) | 2.346 (59.60) | 2.217 (56.30) | 2.161 (54.90) | 2.031 (51.60) |

NOTES:

- MATERIAL:
*1 = NYLON 6/6, UNFILLED 94V-2, COLOR: NATURAL (WHITE)
*2 = NYLON 6/6, UNFILLED 94V-0, COLOR: NATURAL (WHITE)
*3 = NYLON 6/6, UNFILLED 94V-2, COLOR: BLACK
*4 = NYLON 6/6, UNFILLED 94V-0, COLOR: BLACK.
- FINISH: NOT APPLICABLE.
- PRODUCT SPECIFICATION: PS-5556-002
- PACKAGING: PK-42474-001
- PART MATES WITH MINI-FIT B.M.I. PLUG #42475, AND HEADERS 42404, 42440, 43810, 44068 & 43879.
- PART TO BE USED WITH MOLEX FEMALE TERMINAL #5556.
- THIS CONNECTOR ALLOWS FOR .050(1.27) MAX. MISALIGNMENT IN ANY DIRECTION.
- THIS DIMENSION IS TO BE USED FOR ALIGNMENT OF THE MATING CONNECTOR.
- CONNECTOR ASSEMBLIES ARE NOT TO BE MATED OR UNMATED WHILE CIRCUITS ARE LIVE.
- THIS PART IS INTENDED FOR ONE PANEL INSERTION ONLY. REMOVAL AND RE-INSERTION CAN DAMAGE THE MOUNTING SPIRALS.
- PANEL SHOULD BE PUNCHED IN THE DIRECTION OF CONNECTOR INSERTION.
- BOTH SPIRALS SHOULD BE INSERTED INTO THE PANEL AT THE SAME TIME. ROCKING THE PART INTO PLACE MAY CAUSE SPIRAL DAMAGE.
- THIS PART IS NOT INTENDED TO PROVIDE ANY ALIGNMENT OF CUSTOMER COMPONENTS OR MODULES, SUCH AS POWER SUPPLIES AND CHASSIS.
- IF THIS PRODUCT IS STORED IN AN ENVIRONMENT WITH A RELATIVE HUMIDITY OF LESS THAN 50%, MOISTURE MUST BE ADDED. REFER TO TECHNICAL ADVISORY AS-45499-001 FOR INSTRUCTIONS.
- A MAXIMUM TOLERANCE OF .050(1.27) ALLOWS FOR 2 POINTS OF ELECTRICAL CONTACT. A MAXIMUM TOLERANCE OF .020(1.51) ALLOWS FOR 4 POINTS OF CONTACT.
- WIRES ARE TO BE DRESSED IN SUCH A MANNER TO ALLOW THE TERMINALS TO FLOAT FREELY IN THE POCKET.
- PART CONFORMS TO CLASS 'B' REQUIREMENTS OF COSMETIC SPECIFICATION PS-45499-002.



VIEW FOR 2 AND 4 CIRCUIT
NOTCH REMOVED

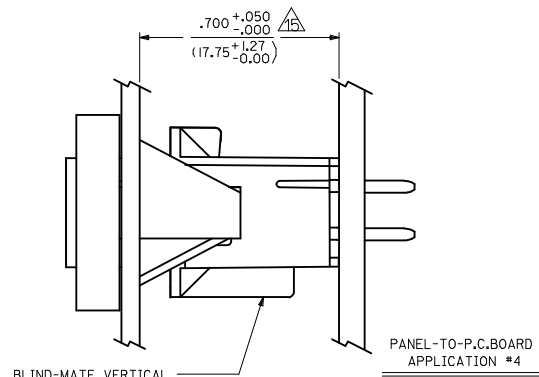
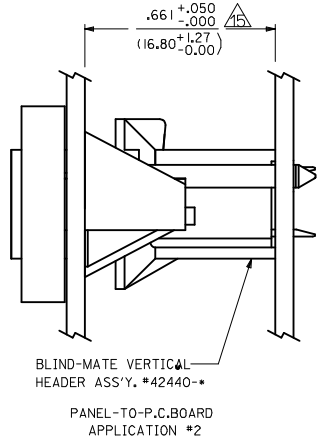
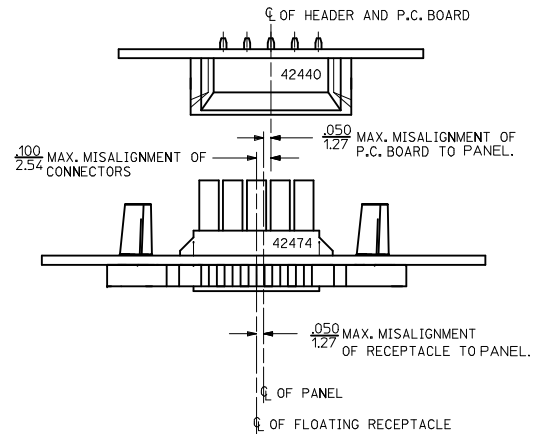
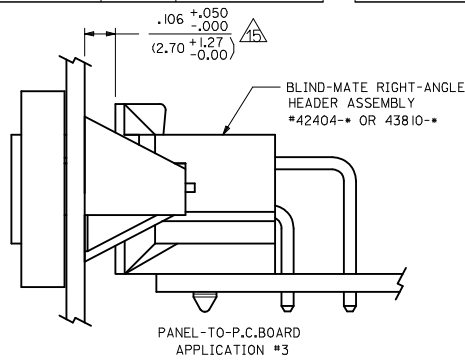
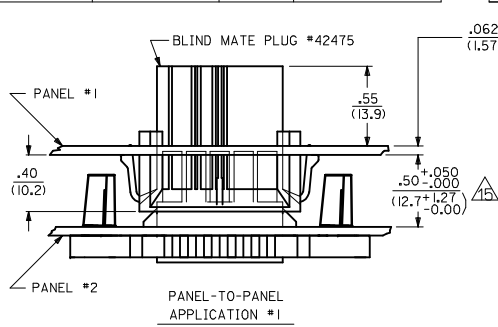


| | | | | | | |
|--|--------------------------------------|--|---|--|-----------------------------|-------------------------------|
| CHANGE DIM A TOL C/C NO. UCP2013-2425 DRAWN BY: DRWINBREE 2012/10/13 CHKD BY: JHKOJIBELL 2012/10/13 APPROVED BY: MTH 2012/10/19 | QUALITY SYMBOLS ▽=0 ▽=0 ▽=0 | GENERAL TOLERANCES (UNLESS SPECIFIED) | DIMENSION STYLE IN/MM | SCALE 1:1 | DESIGN UNITS METRIC | THIRD ANGLE PROJECTION |
| | | 4 PLACES ± --- ± --- 3 PLACES ± --- ± .015 2 PLACES ± 0.38 ± --- 1 PLACE ± --- ± --- ANGULAR ±1/2° | DRAWN BY: GEP DATE: 1989/08/24 CHECKED BY: R/JF DATE: 1989/08/24 APPROVED BY: RAS DATE: 1989/08/24 | TITLE PANEL-MOUNT RECEPTACLE BLIND MATE MINI-FIT JR. SERIES | MATERIAL NO. SEE SHEET 2 | DOCUMENT NO. SD-42474-**** |

DRAFT WHERE APPLICABLE MUST REMAIN WITHIN DIMENSIONS

THIS DRAWING CONTAINS INFORMATION THAT IS PROPRIETARY TO MOLEX INCORPORATED AND SHOULD NOT BE USED WITHOUT WRITTEN PERMISSION

| 13 | 12 | 11 | 10 | 9 | 8 | 7 | 6 | 5 | 4 | 3 | 2 | 1 | |
|-------------|-------------|-----------|------------------------|-------------|-------------|-----------|------------------------|-------------|-----------|------------------------|-------------|-----------|------------------------|
| PART NUMBER | ENG. NUMBER | CKT. SIZE | MATERIAL (SEE NOTE 1.) | PART NUMBER | ENG. NUMBER | CKT. SIZE | MATERIAL (SEE NOTE 1.) | ITEM NUMBER | CKT. SIZE | MATERIAL (SEE NOTE 1.) | ITEM NUMBER | CKT. SIZE | MATERIAL (SEE NOTE 1.) |
| NOT TOOLED | 42474-0211 | 2 | 94V-2 | NOT TOOLED | 42474-0221 | 2 | 94V-0 | NOT TOOLED | 2 | 94V-2 | NOT TOOLED | 2 | 94V-0 |
| 15-06-0040 | 42474-0411 | 4 | 94V-2 | 15-06-0041 | 42474-0421 | 4 | 94V-0 | 42474-0431 | 4 | 94V-2 | 42474-0441 | 4 | 94V-0 |
| 15-06-0060 | 42474-0611 | 6 | 94V-2 | 15-06-0061 | 42474-0621 | 6 | 94V-0 | 42474-0631 | 6 | 94V-2 | 42474-0641 | 6 | 94V-0 |
| 15-06-0080 | 42474-0811 | 8 | 94V-2 | 15-06-0081 | 42474-0821 | 8 | 94V-0 | 42474-0831 | 8 | 94V-2 | NOT TOOLED | 8 | 94V-0 |
| 15-06-0100 | 42474-1011 | 10 | 94V-2 | 15-06-0101 | 42474-1021 | 10 | 94V-0 | 42474-1031 | 10 | 94V-2 | 42474-1041 | 10 | 94V-0 |
| NOT TOOLED | 42474-1211 | 12 | 94V-2 | NOT TOOLED | 42474-1221 | 12 | 94V-0 | NOT TOOLED | 12 | 94V-2 | NOT TOOLED | 12 | 94V-0 |
| 15-06-0140 | 42474-1411 | 14 | 94V-2 | 15-06-0141 | 42474-1421 | 14 | 94V-0 | 42474-1431 | 14 | 94V-2 | 42474-1441 | 14 | 94V-0 |
| NOT TOOLED | 42474-1611 | 16 | 94V-2 | NOT TOOLED | 42474-1621 | 16 | 94V-0 | NOT TOOLED | 16 | 94V-2 | NOT TOOLED | 16 | 94V-0 |
| 15-06-0180 | 42474-1811 | 18 | 94V-2 | 15-06-0181 | 42474-1821 | 18 | 94V-0 | 42474-1831 | 18 | 94V-2 | 42474-1841 | 18 | 94V-0 |
| NOT TOOLED | 42474-2011 | 20 | 94V-2 | NOT TOOLED | 42474-2021 | 20 | 94V-0 | NOT TOOLED | 20 | 94V-2 | NOT TOOLED | 20 | 94V-0 |
| NOT TOOLED | 42474-2211 | 22 | 94V-2 | NOT TOOLED | 42474-2221 | 22 | 94V-0 | NOT TOOLED | 22 | 94V-2 | NOT TOOLED | 22 | 94V-0 |
| 15-06-0240 | 42474-2411 | 24 | 94V-2 | 15-06-0241 | 42474-2421 | 24 | 94V-0 | 42474-2431 | 24 | 94V-2 | 42474-2441 | 24 | 94V-0 |



| | | | | | | |
|--|-----------------|--|---|----------------------------|--------------|------------------------|
| SEE SHEET 1 EC NO: UCP2013-2425 DRWN:BBEE 2012/12/13 CHKD:JBELL 2012/12/13 APPR:FSMITH 2012/12/19 | QUALITY SYMBOLS | GENERAL TOLERANCES (UNLESS SPECIFIED) | DIMENSION STYLE | SCALE | DESIGN UNITS | THIRD ANGLE PROJECTION |
| | ▽=0 | 4 PLACES ± --- INCH | IN/MM | 1:1 | METRIC | |
| | ▽=0 | 3 PLACES ± --- ±.015 | | | | |
| | ▽=0 | 2 PLACES ± 0.38 ± --- | | | | |
| | | 1 PLACE ± --- ± --- | | | | |
| | | ANGULAR ± 1/2° | | | | |
| | | DRAFT WHERE APPLICABLE MUST REMAIN WITHIN DIMENSIONS | | | | |
| | | | MATERIAL NO. SEE CHART | DOCUMENT NO. SD-42474-**** | | SHEET NO. 2 OF 2 |
| | | | THIS DRAWING CONTAINS INFORMATION THAT IS PROPRIETARY TO MOLEX INCORPORATED AND SHOULD NOT BE USED WITHOUT WRITTEN PERMISSION | | | |