

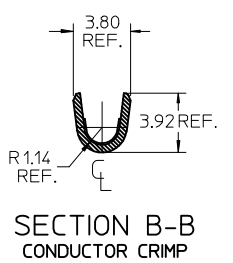
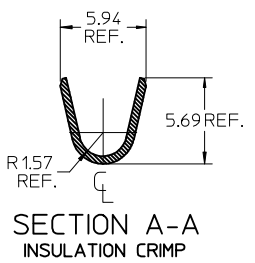
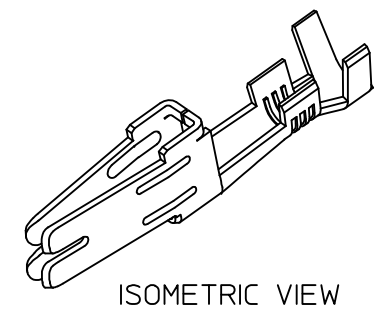
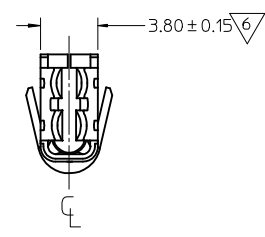
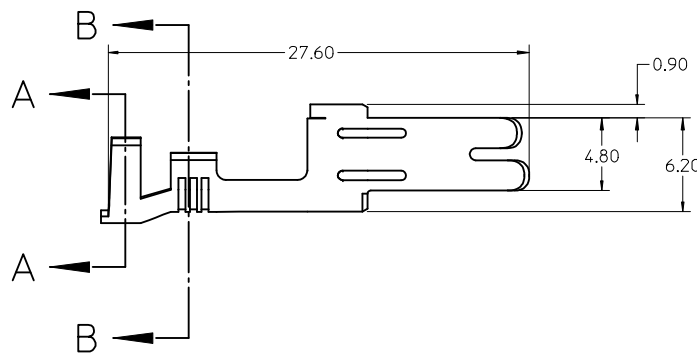
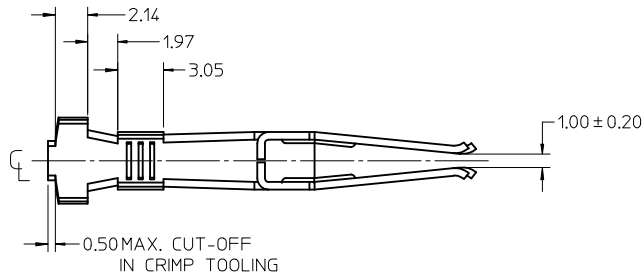
NOTES:

1. MATERIAL: COPPER ALLOY 151, 0.50mm THICK.
2. PLATING:
OVERALL *TIN: 0.00254 MIN BRIGHT TIN
OVER 0.00127 MIN NICKEL.

SELECT GOLD: 0.00076 MIN. SELECT GOLD IN CONTACT AREA,
0.00127 MIN. SELECT *TIN IN CRIMP AREA, OVER 0.00127 MIN NICKEL.

*THE PRIMARY SHIPPING CARTON WILL BE LABELED "COMPLIANT TO RoHS
DIRECTIVE 2002/95/EC AND ELV ANNEX II OF DIRECTIVE 2000/53/EC".
CARTONS WITHOUT THIS LABEL MAY CONTAIN PRODUCT WITH TIN-LEAD.

3. PRODUCT SPECIFICATION: PS-42815-001.
4. PART IS DESIGNED IN METRIC.
5. TERMINALS FOR USE WITH STRANDED WIRE ONLY,
STRANDED TINNED WIRE IS RECOMMENDED.
6. AFTER CRIMPING, THIS DIMENSION IS 3.55mm MINIMUM.
7. CRIMP SPECIFICATION: 638301000.
8. WHEN USING TIN-PLATED TERMINALS FOR APPLICATIONS
INVOLVING VIBRATION AND/OR THERMAL CYCLING,
MOLEX STRONGLY RECOMMENDS THE USE OF NYE LUBRICANT,
NYOGEL 760G, ON THE MATING AREA OF THE TERMINAL.
LUBRICANT SHOULD BE APPLIED AFTER THE TERMINALS ARE
INSERTED INTO THE HOUSING.



MATERIAL NO.		PLATING		SCALE		DESIGN UNITS		THIRD ANGLE PROJECTION		REVISE ON CAD ONLY	
42815-0041		TIN		4:1		METRIC		☉			
42815-0042		SELECT GOLD				DIMENSION STYLE					
						MM ONLY					
REVISED SECTIONS EC NO: UCP/2006-1068 DRWN: JCOMERC 2005/11/07 CHKD: 2005/11/07 APPR: JCOMERC 2005/11/08		QUALITY SYMBOLS		GENERAL TOLERANCES (UNLESS SPECIFIED)		DRAWN BY		DATE		TITLE MINIFIT SR. FEMALE CRIMP TERMINAL, 14-16 AWG GOLD PLATED	
		▽ = 0		mm INCH		MFIRLEJ		2002/05/15			
		∇ = 0		4 PLACES ± --- ± ---		CHECKED BY		DATE			
				3 PLACES ± --- ± .010		JCOMERC		2002/05/15		MOLEX MOLEX INCORPORATED	
				2 PLACES ± 0.25 ± .016		APPROVED BY		DATE		MATERIAL NO.	
		1 PLACE ± 0.40 ± ---		JCOMERC		2002/05/15		SEE CHART		SD-42815-020	
		ANGULAR ± 1/2°		DRAFT WHERE APPLICABLE						SHEET NO.	
				MUST REMAIN WITHIN DIMENSIONS						1 OF 1	
B2		REV									