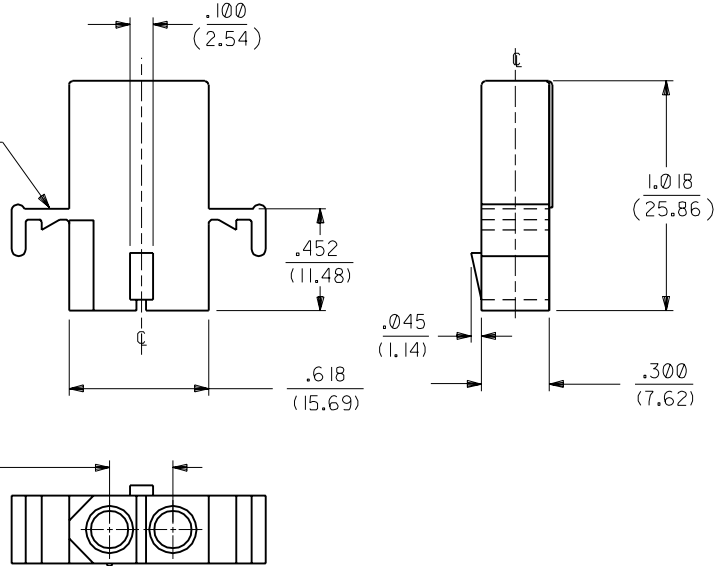


4306-R RECEPTACLE HOUSING

MOUNTING EAR (2 PL.)  
SEE DETAIL 1 OR 2  
(WHEN SPECIFIED)



DIMENSIONS SHOWN (METRIC) INCH

UNLESS OTHERWISE SPECIFIED  
TOLERANCES: ANGULAR ± 1/2°

	INCH	METRIC
3 PLACE	± .010	---
2 PLACE	± .014	± 0.25
1 PLACE	---	± 0.35

DRAFT WHERE APPLICABLE MUST  
REMAIN WITHIN DIMENSIONS

▽ = 0 ▼ = 0 REVISE ONLY ON CAD SYSTEM

TITLE  
HOUSING, 2 CIRCUIT  
PLUG AND RECEPTACLE  
.125/(3.18) DIA.

PART NO. MOLEX INCORPORATED SHEET NO. DATE  
LISLE, ILL. 60532 U.S.A. 2 6/4/87

SEE CHART DRWG. NO. SD-4306-\*

FILE NAME: SD4306X2.DWG THIS DRAWING CONTAINS INFORMATION THAT IS PROPRIETARY TO MOLEX INC. AND SHOULD NOT BE USED WITHOUT WRITTEN PERMISSION. DIV. CP SIZE B

LTR.	REVISIONS	LTR.	REVISIONS
		F	SEE SHEET 1
		E	SEE SHEET 1

DRWG. BY: GEP CHK'D. BY: RW  
APP'D. BY: RAS SCALE: 2 : 1

