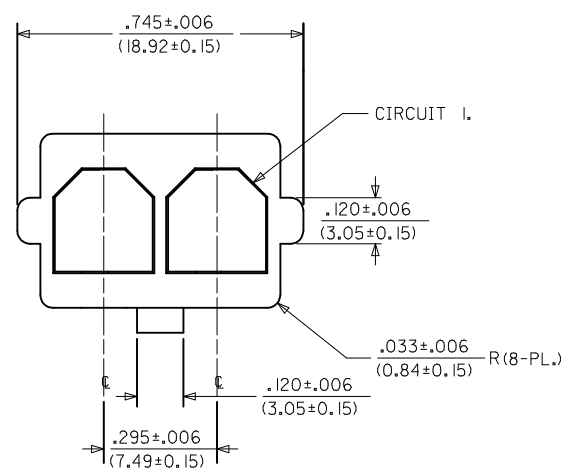
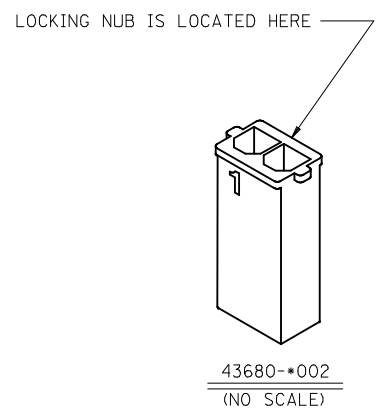
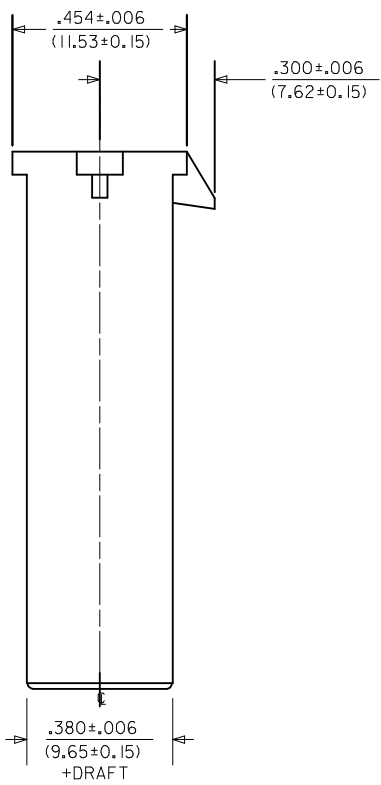
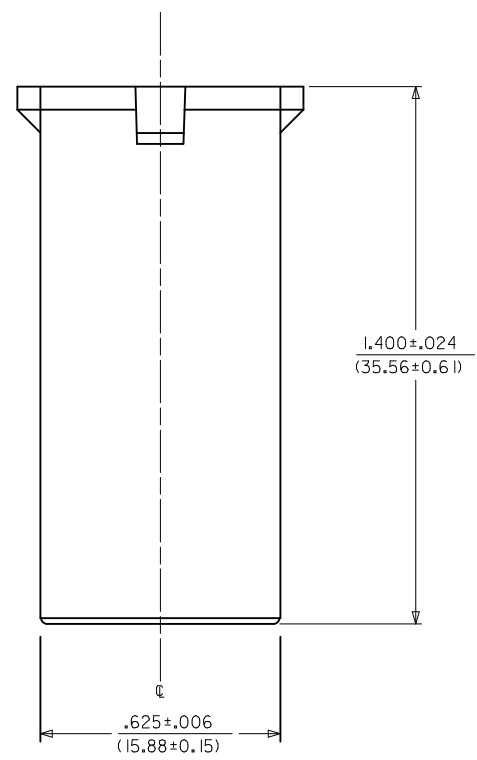


ITEM NUMBER	MATERIAL	COLOR
43680-2002	UL94V-0 NYLON	BLACK
43680-1002	UL94V-2 NYLON	NATURAL (TRANSLUCENT)



NOTES:

1. MATERIAL: SEE CHART.
2. FINISH: NONE.
3. PRODUCT SPECIFICATION: PSX-44441-9999.
4. PACKAGING: PK-43680-001.
5. THIS CONNECTOR HOUSING FOR USE WITH 43178-**** TERMINALS.
6. THIS CONNECTOR HOUSING WILL MATE TO 43335-***2, 43179-***2 AND 44441-***2 HOUSINGS.
7. PARTS CONFORM TO CLASS B REQUIREMENTS OF COSMETIC SPEC PS-45499-002.



MOVE DIM. 15.88 EC NO: UCP2009-3100 DRW: P. RIDDER 2009/06/23 CHKD: J. BELL 2009/06/25 APPR: F. SMITH 2009/06/25	QUALITY SYMBOLS ▽=0 ▽=0	GENERAL TOLERANCES (UNLESS SPECIFIED) mm INCH 4 PLACES ± --- ± --- 3 PLACES ± --- ± .010 2 PLACES ± 0.25 ± .014 1 PLACE ± 0.35 ± --- ANGULAR ± 1/2°	DIMENSION STYLE IN/MM DRAWN BY DATE CM 03/22/1996 CHECKED BY DATE KBP 03/22/1998 APPROVED BY DATE RAS 03/22/1998	SCALE 1:1 DESIGN UNITS INCH	THIRD ANGLE PROJECTION
	TITLE 2-CIR. PLUG HOUSING .125/(3.18)X.020(1.51) SABRE - TPA				
	DRAFT WHERE APPLICABLE MUST REMAIN WITHIN DIMENSIONS			MOLEX INCORPORATED	
	SEE CHART		DOCUMENT NO. SD-43680-*002		SHEET NO. 1 OF 1

THIS DRAWING CONTAINS INFORMATION THAT IS PROPRIETARY TO MOLEX INCORPORATED AND SHOULD NOT BE USED WITHOUT WRITTEN PERMISSION