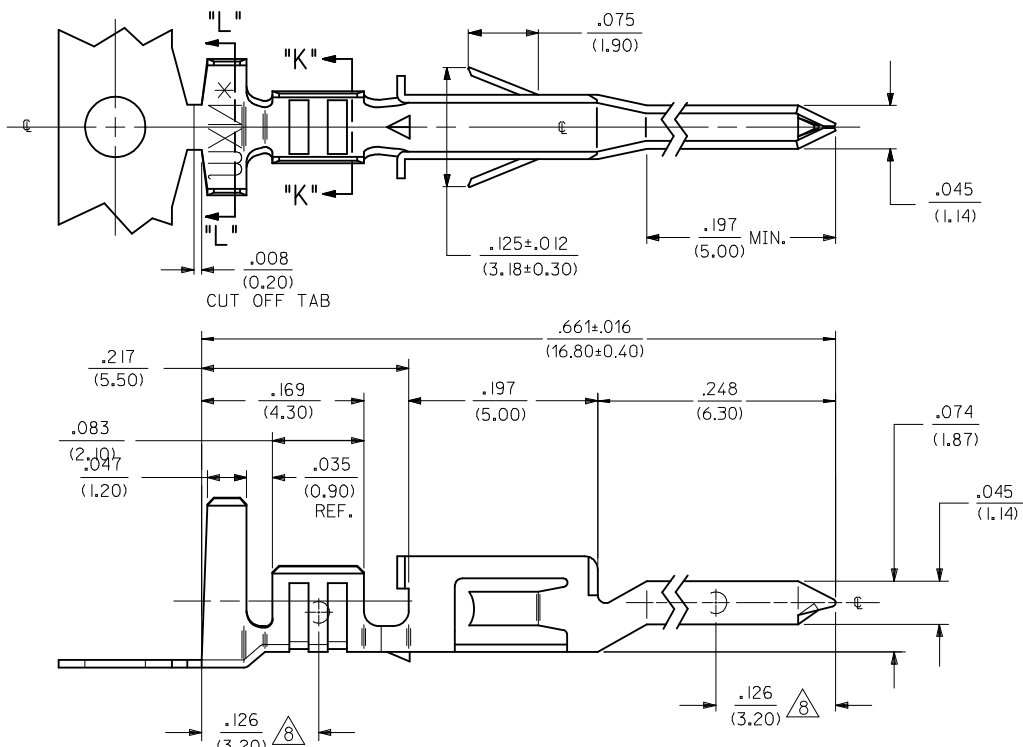
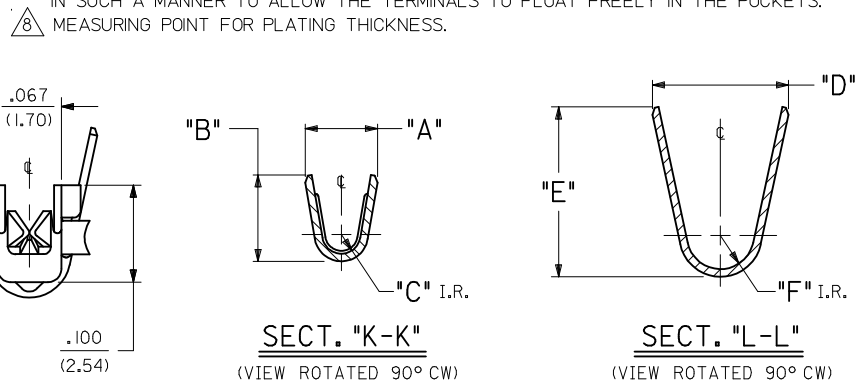


ITEM NO.	FORM	WIRE GAGE	RANGE OF INSULATION DIA.	DIM. "A"	DIM. "B"	DIM. "C"	DIM. "D"	DIM. "E"	DIM. "F"	FINISH (SEE NOTE 2)
46012-1141	CHAIN	18-20 GA.	.051-.122 (1.30-3.10)	.075±.012	.091±.016	.020	.142±.012	.177±.016	.035	FINISH 1 - BRIGHT TIN OVER NICKEL
46012-1142	LOOSE			(1.90±.30)	(2.30±.40)	(.50)	(3.60±.30)	(4.50±.40)	(.90)	
46012-3141	CHAIN	16 GA.	.122 (3.10) MAX.	.091±.012	.106±.016	.024	.142±.012	.177±.016	.035	FINISH 2 - SEL. GOLD AND SEL. MATTE TIN OVER NICKEL
46012-3142	LOOSE			(2.30±.30)	(2.70±.40)	(.60)	(3.60±.30)	(4.50±.40)	(.90)	
46012-1241	CHAIN	18-20 GA.	.051-.122 (1.30-3.10)	.075±.012	.091±.016	.020	.142±.012	.177±.016	.035	FINISH 2 - SEL. GOLD AND SEL. MATTE TIN OVER NICKEL
46012-1242	LOOSE			(1.90±.30)	(2.30±.40)	(.50)	(3.60±.30)	(4.50±.40)	(.90)	
46012-3241	CHAIN	16 GA.	.122 (3.10) MAX.	.091±.012	.106±.016	.024	.142±.012	.177±.016	.035	FINISH 2 - SEL. GOLD AND SEL. MATTE TIN OVER NICKEL
46012-3242	LOOSE			(2.30±.30)	(2.70±.40)	(.60)	(3.60±.30)	(4.50±.40)	(.90)	



- NOTES:
- MATERIAL:  
COPPER ALLOY .0080/(.203) THICK.
  - FINISH:  
1= .000100/(0.00254) MIN. BRIGHT TIN OVER .000050/(0.00127) MIN NICKEL OVERALL.  
2= .000030/(.00076) MIN SELECT GOLD IN CONTACT AREA AND .000100/(0.00254) MIN SELECT MATTE TIN IN CRIMP AREA OVER .000050/(0.00127) MIN NICKEL OVERALL.  
GOLD PLATING RECOMMENDED FOR APPLICATIONS WHERE FRETTING CORROSION IS A CONCERN.
  - PRODUCT SPECIFICATION: PS-45750-001
  - PACKAGING SPECIFICATION: PK-46012-001 FOR CHAIN TERMINALS  
PK-5556-003 FOR LOOSE TERMINALS.
  - TERMINAL FOR USE WITH MOLEX PLUG HOUSINGS 5559, 42475, 43770 AND 30068.
  - THIS TERMINAL IS DESIGNED FOR SINGLE WIRE CRIMPING.
  - WHEN TERMINALS ARE INSTALLED IN THE HOUSINGS, THE WIRES ARE TO BE DRESSED IN SUCH A MANNER TO ALLOW THE TERMINALS TO FLOAT FREELY IN THE POCKETS.



**LEGEND:**

46012 - \* \* 4 \*

BASE NO. \_\_\_\_\_

WIRE GAGE \_\_\_\_\_

1= 18-20  
3= 16

CHAIN OR LOOSE \_\_\_\_\_

1= CHAIN  
2= LOOSE

PLATING \_\_\_\_\_

1= TIN  
2= GOLD

<b>UPDATE NOTE 3</b> EC NO: UCP2014-0298 DRWINGUYEN 2013/07/22 CHKD: JHELL 2013/07/22 APPR: FSMITH 2013/08/16 REV: D3	QUALITY SYMBOLS	GENERAL TOLERANCES (UNLESS SPECIFIED)	DIMENSION STYLE	SCALE	DESIGN UNITS	THIRD ANGLE PROJECTION
	▽=0	mm INCH	IN/MM	TITLE	METRIC	
	▽=0	4 PLACES ± --- ± ---	DRAWN BY DATE	TERM., MALE, CRIMP MINI-FIT JR. HCS PLUS SERIES <b>molex</b>	DOCUMENT NO. SD-46012-001	SHEET NO. 1 OF 1
	▽=0	3 PLACES ± --- ± .010	CHECKED BY DATE			
	0 PLACES ± ±	APPROVED BY DATE				
		JCOMERC I 2005/07/28				
		ANGULAR ±1/2°	MATERIAL NO.			
		DRAFT WHERE APPLICABLE MUST REMAIN WITHIN DIMENSIONS	SEE CHART			
			SIZE C	THIS DRAWING CONTAINS INFORMATION THAT IS PROPRIETARY TO MOLEX INCORPORATED AND SHOULD NOT BE USED WITHOUT WRITTEN PERMISSION		