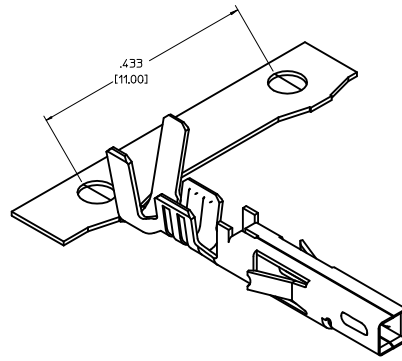
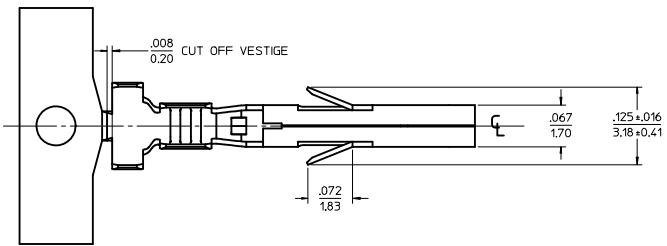


ITEM NO.	FORM	WIRE GAGE	DIM. "B"	DIM. "C"	DIM. "D"	DIM. "E"	DIM. "F"	DIM. "G"
460182541	CHAIN	22-24	.09±.012 (2.30±0.30)	.09±.016 (2.30±0.40)	.024 (0.60)	.07±.012 (1.80±0.30)	.045±.016 (1.65±0.40)	.016 (0.40)
460181541	CHAIN	18-20	.142±.012 (3.60±0.30)	.177±.016 (4.50±0.40)	.035 (0.90)	.075±.012 (1.90±0.30)	.09±.016 (2.30±0.40)	.020 (0.50)
460183541	CHAIN	16	.142±.012 (3.60±0.30)	.177±.016 (4.50±0.40)	.035 (0.90)	.09±.012 (2.30±0.30)	.106±.016 (2.70±0.40)	.024 (0.60)

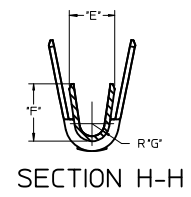
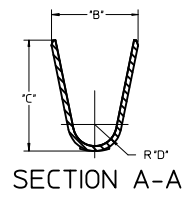
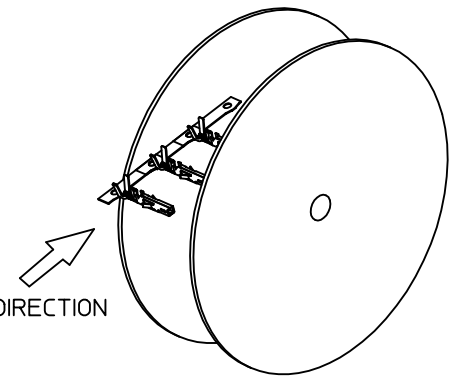
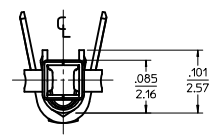
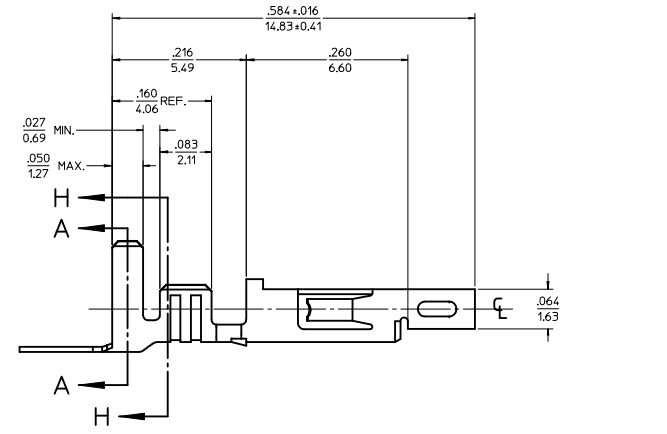


- NOTES:**
- MATERIAL: COPPER ALLOY .0080/(0.203) THICK
  - FINISH:
    - .000030/.00076 MIN. SELECT GOLD IN CONTACT AREA AND .000100/.00254 MIN. SELECT MATTE TIN IN CRIMP AREA OVER .000050/.00127 MIN. NICKEL OVERALL.
  - PROPRIETARY MOLEX ADVANCED CONTACT SURFACE FINISH (CSF) IN CONTACT AREA.
  - PRODUCT SPECIFICATION: PS-46018-004
  - PACKAGING INFORMATION: PK-46018-001 FOR CHAIN TERMINALS
  - MATES WITH: MALE TERMINAL SERIES 46011 AND HEADERS 46011, 44068, 42404, 43810, 46014, 5569, 46015, 30070.
  - TERMINAL FOR USE WITH 5557, 42474, 44516, 43760, AND 30067 SERIES HOUSINGS.
  - WHEN TERMINALS ARE INSTALLED IN THE HOUSING, THE WIRES ARE TO BE DRESSED IN SUCH A MANNER TO ALLOW THE TERMINALS TO FLOAT FREELY IN THE POCKET.
  - THIS TERMINAL IS DESIGNED FOR SINGLE WIRE CRIMPING.
  - THIS PART CONFORMS TO CLASS B REQUIREMENTS OF COSMETIC SPEC PS-45499-002.



### LEGEND

46018\*54\*  
 BASE NUMBER      FORM  
 WIRE GAGE      1 = CHAIN  
 1 = 18-20  
 2 = 22-24  
 3 = 16



**RoHS COMPLIANT**

CHG PLTG. ADD CSF EC NO: UCP2011-3318 DRAWN: BANDERSON CHKD: BELL APPROV: SMITH	DESCRIPTION 2011/04/26 2011/04/26 2011/09/02	QUALITY SYMBOLS ▽=0 ▽=0 ▽=0	GENERAL TOLERANCES (UNLESS SPECIFIED)		DIMENSION STYLE IN/MM		SCALE 10:1	DESIGN UNITS INCH	THIRD ANGLE PROJECTION
			4 PLACES ±---	±---	mm	INCH	DRAWN BY TGREGOR1	DATE 2005-08-17	TITLE FEMALE CRIMP TERMINAL MINI-FIT PLUS HIGH MATING CYCLE (HMC)
			3 PLACES ±---	±.010					
			2 PLACES ±0.25	±.014					
			1 PLACE ±0.36	±---					
			ANGULAR ±1/2°						
			DRAFT WHERE APPLICABLE MUST REMAIN WITHIN DIMENSIONS		MATERIAL NO. SEE CHART		DOCUMENT NO. SD-46018-001	SHEET NO. 1 OF 1	
					SIZE D		THIS DRAWING CONTAINS INFORMATION THAT IS PROPRIETARY TO MOLEX INCORPORATED AND SHOULD NOT BE USED WITHOUT WRITTEN PERMISSION		