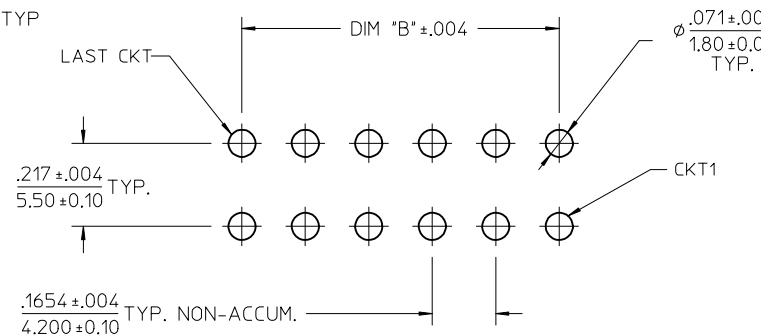
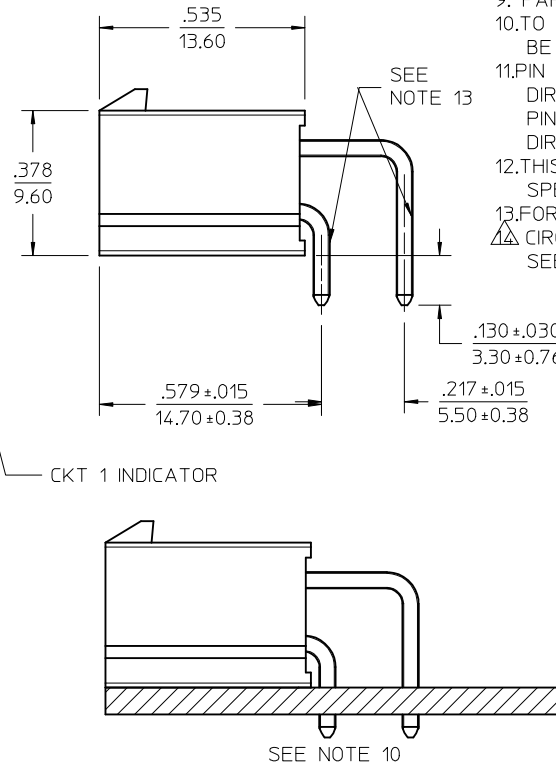
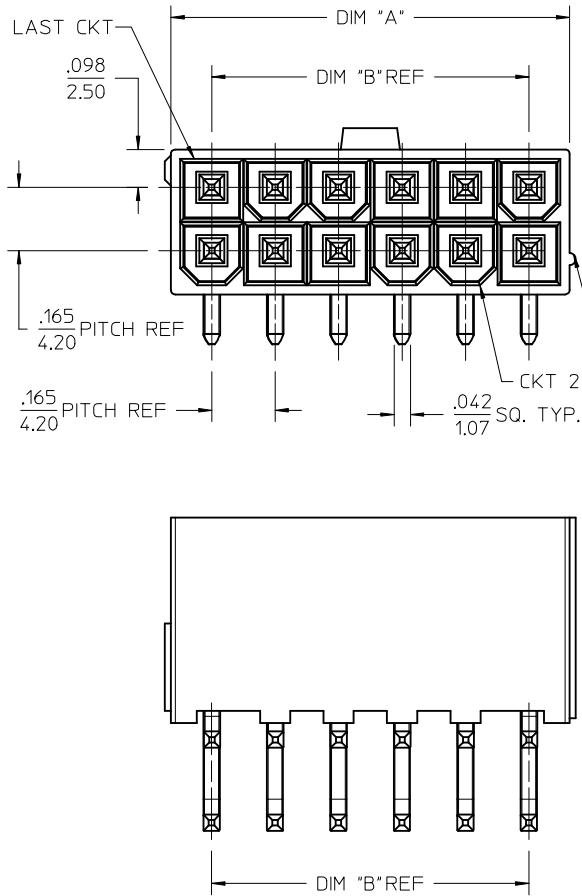


J	TIN PLATING		GOLD PLATING		DIM "A"	DIM "B"	
	CKT SIZE	TRAY PACK MATERIAL NUMBER	TAPE & REEL MATERIAL NUMBER	TRAY PACK MATERIAL NUMBER			
4	46991-1004	X	46991-4004	X	46991-2004	.38/9.6	.165/4.20
6	46991-1006	X	46991-4006	X	46991-2006	.54/13.8	.331/8.40
8	46991-1008	X	46991-4008	X	46991-2008	.71/18.0	.496/12.60
10	46991-1010	X	46991-4010	X	46991-2010	.87/22.2	.661/16.80
12	46991-1012	X	46991-4012	X	46991-2012	1.04/26.4	.827/21.00
14	46991-1014	X	46991-4014	X	46991-2014	1.21/30.6	.992/25.20
16	46991-1016	X	46991-4016	X	46991-2016	1.37/34.8	1.160/29.40
18	46991-1018	X	46991-4018	X	46991-2018	1.54/39.0	1.323/33.60
20	46991-1020	X	46991-4020	X	46991-2020	1.70/43.2	1.488/37.80
22	46991-1022	X	46991-4022	X	46991-2022	1.87/47.4	1.654/42.00
24	46991-1024	X	46991-4024	X	46991-2024	2.03/51.6	1.819/46.20

- NOTES:
- MATERIAL:  
HOUSING - LIQUID CRYSTAL POLYMER (LCP), COLOR: BLACK.  
TERMINAL - BRASS
  - TERMINAL PLATING: TIN = .000100/0.00254 MATTE TIN OVER  
.000050/0.00127 NICKEL OVERALL  
GOLD= .000030/0.00076 MIN. SELECT GOLD OVER  
.000100/0.00254 MIN. SELECT MATTE TIN OVER  
.000050/0.00127 MIN NICKEL OVERALL
  - PRODUCT SPECIFICATION: PS-46207-001.
  - PACKAGING SPECIFICATION: TRAY PACKED PER PK-5569-003 OR  
TAPE AND REEL PACKAGED PER PK-46991-001.
  - PART MATES WITH MINIFIT JR RECEPTACLE SERIES 5557
  - DISCOLORIZATION IN THE BANDOLIER CARRIER AREA OF THE PIN IS  
INHERENT TO THE PLATING PROCESS AND IS DUE TO THE MASKING EFFECT  
OF THE CARRIER, THIS DISCOLORIZATION IS A NON-FUNCTIONAL AREA OF  
THE PIN AND WILL NOT AFFECT THE PERFORMANCE OF THE HEADER ASSEMBLY.
  - CONNECTORS ARE NOT TO BE MATED OR UNMATED WHILE CIRCUITS ARE LIVE.
  - PARTS ARE NOT DESIGNED FOR CURRENT SHARING.
  - PART IS INTENDED FOR PIN IN PASTE REFLOW SOLDER ONLY.
  - TO AVOID INTERFERENCE BETWEEN THE RECEPTACLE AND PCB, HEADER MUST  
BE PLACED AT THE EDGE OF PCB AS SHOWN.
  - PIN RETENTION IN HOUSING IS 2.2 LBS/1 KG MIN. BOTH  
DIRECTIONS FOR TIN PLATING.  
PIN RETENTION IN HOUSING IS 1.0 LBS/0.45 KG MIN. BOTH  
DIRECTIONS FOR GOLD PLATING.
  - THIS PART CONFORMS TO CLASS B REQUIREMENTS OF COSMETIC  
SPECIFICATION PS-45499-002.
  - FORMING MARKS ON PINS ARE ACCEPTABLE.  
CIRCUITS SHOWN PROVIDE THE MATE-FIRST/BREAK-LAST FEATURE.  
SEE CHART ON SHEET 2 FOR SPECIFIC CIRCUIT LOCATIONS.

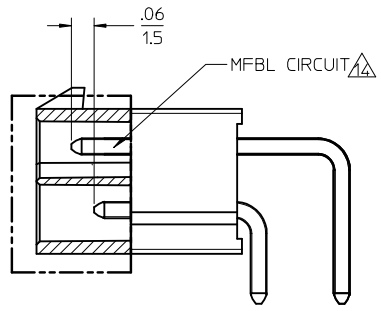
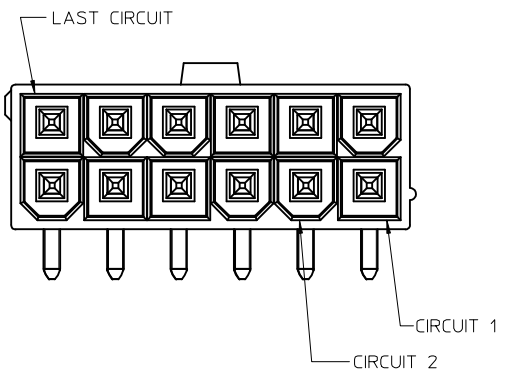
X DESIGNATES NOT TOOLED  
SEE SHEET 2 FOR PART NUMBERS WITH VOIDS & MFBL



<b>MODIFY NOTE 11</b> EC NO: UCP2013-3729 DR: NANGUYEN CHKD: J.BELL APPR: F.SMITH 2013/03/26 2013/04/25	QUALITY SYMBOLS 	GENERAL TOLERANCES (UNLESS SPECIFIED)		DIMENSION STYLE		SCALE	DESIGN UNITS	THIRD ANGLE PROJECTION	
				IN/MM		4:1	METRIC		
				DRAWN BY DATE		TITLE		MINIFIT RTC RIGHT ANGLE HEADER ASSEMBLY W/O MOUNTING PEGS <b>molex</b>	
				JKLOSTERMEIE 2008/12/9					
		CHECKED BY DATE		APPROVED BY DATE		DOCUMENT NO.		SHEET NO.	
		JBELL 2008/12/10		FSMITH 2008/12/15		SD-46991-001			1 OF 2
		ANGULAR ±1/2°		MATERIAL NO.		SEE CHART			
		DRAFT WHERE APPLICABLE MUST REMAIN WITHIN DIMENSIONS		SIZE		THIS DRAWING CONTAINS INFORMATION THAT IS PROPRIETARY TO MOLEX INCORPORATED AND SHOULD NOT BE USED WITHOUT WRITTEN PERMISSION			

MATERIAL NUMBER	NO OF CKT	PKG	PLATING SEE NOTE #2	PIN IDENTIFICATION CODE / CIRCUIT LOCATION (SEE CHART BELOW)																							
				CKT 1	CKT 2	CKT 3	CKT 4	CKT 5	CKT 6	CKT 7	CKT 8	CKT 9	CKT 10	CKT 11	CKT 12	CKT 13	CKT 14	CKT 15	CKT 16	CKT 17	CKT 18	CKT 19	CKT 20	CKT 21	CKT 22	CKT 23	CKT 24
46991-5001	06	TRAY	TIN	2	V	2	2	V	2																		
46991-5002	04	TRAY	TIN	1	2	1	1																				

PIN ID	MATING CONFIGURATION
1	MATE FIRST/BREAK LAST (LONGER)
2	STANDARD MATING



CKT SIZE	DIM "A"	DIM "B"
4	.38/9.6	.165/4.20
6	.54/13.8	.331/8.40
8	.71/18.0	.496/12.60
10	.87/22.2	.661/16.80
12	1.04/26.4	.827/21.00
14	1.21/30.6	.992/25.20
16	1.37/34.8	1.160/29.40
18	1.54/39.0	1.323/33.60
20	1.70/43.2	1.488/37.80
22	1.87/47.4	1.654/42.00
24	2.03/51.6	1.819/46.20

<b>SEE SHEET 1</b> EC NO: UCP2013-3729 DRAWINGUYEN 2013/03/26 CHKD:JBELL 2013/03/26 APPR:FSMITH 2013/04/25	QUALITY SYMBOLS 	GENERAL TOLERANCES (UNLESS SPECIFIED)		DIMENSION STYLE <b>IN/MM</b>		SCALE <b>4:1</b>	DESIGN UNITS <b>METRIC</b>	THIRD ANGLE PROJECTION			
		4 PLACES ± --- ± --- 3 PLACES ± --- ± .010 2 PLACES ± 0.25 ± .015 1 PLACE ± 0.38 ± --- 0 PLACE ± --- ± ---		DRAWN BY JKLOSTERMEIE 2008/12/9		DATE 2008/12/10		TITLE <b>MINIFIT RTC RIGHT ANGLE HEADER ASSEMBLY W/O MOUNTING PEGS</b>			
		ANGULAR ±1/2° DRAFT WHERE APPLICABLE MUST REMAIN WITHIN DIMENSIONS		APPROVED BY FSMITH 2008/12/15		DATE 2008/12/15		<b>molex</b>			
		MATERIAL NO. <b>SEE CHART</b>		DOCUMENT NO. <b>SD-46991-001</b>		SHEET NO. <b>2 OF 2</b>		THIS DRAWING CONTAINS INFORMATION THAT IS PROPRIETARY TO MOLEX INCORPORATED AND SHOULD NOT BE USED WITHOUT WRITTEN PERMISSION			