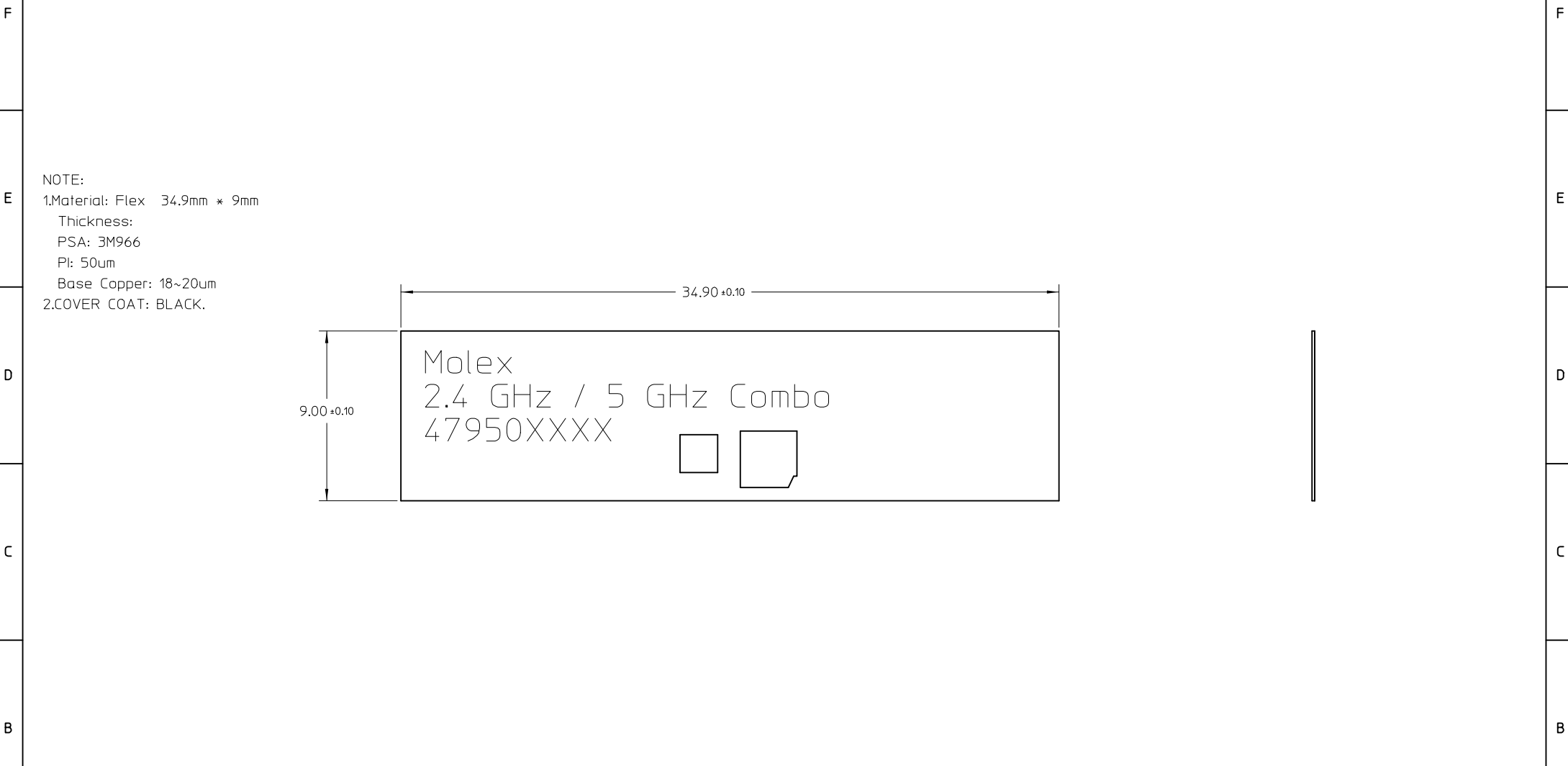
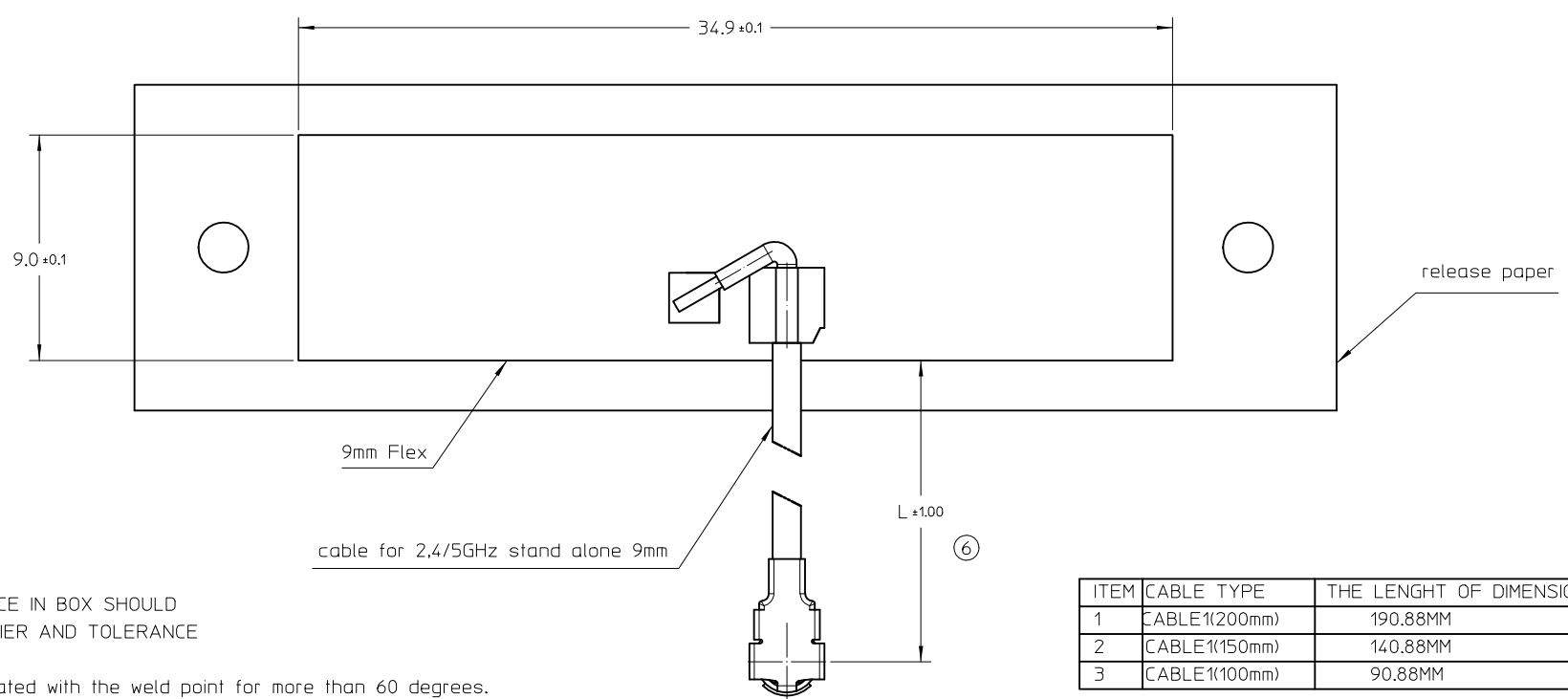


Molex				Customer:Boston				DRAWING LOCATION	CHANGE DESCRIPTION	AFFECTED DEPT
DRAWING NO.	REV.	ECN NO.	DATE	P/N	P/N.	3D REV	2D REV	ALL	Simply assy dims for SD drawings	AQP/ME/RF/PE/POP
SD-47950-001	C	ABU2012-0079	2013/05/27	479500001	-	-	-			



NOTE:
 1.Material: Flex 34.9mm * 9mm
 Thickness:
 PSA: 3M966
 Pl: 50um
 Base Copper: 18~20um
 2.COVER COAT: BLACK.

ENTER DESCRIPTION EC NO:ABU2012-0079 DRWN: CHKD: APPR:	DESCRIPTION REV	QUALITY SYMBOLS	GENERAL TOLERANCES (UNLESS SPECIFIED)		DIMENSION STYLE		SCALE 5:1	DESIGN UNITS MM	THIRD ANGLE PROJECTION		
		▽F=0	4 PLACES	mm	INCH	DRAWN BY	DATE	TITLE 2.4/5GHz stand alone 9mm Ant			
		▽E=0	3 PLACES	±	±	Jack Shi	2013-05-27				
		▽D=0	2 PLACES	±	±	CHECKED BY	DATE	MOLEX INCORPORATED			
▽C=0	1 PLACE	±	±	Cooper Zhou	2013-05-27						
			ANGULAR ± °		APPROVED BY	DATE	DOCUMENT NO.		SHEET NO.		
			DRAFT WHERE APPLICABLE MUST REMAIN WITHIN DIMENSIONS		Kennedy Tay	2013-05-27	SD-47950-001		1 OF 2		
					MATERIAL NO. see the table of sheet2						
					SIZE A3		THIS DRAWING CONTAINS INFORMATION THAT IS PROPRIETARY TO MOLEX INCORPORATED AND SHOULD NOT BE USED WITHOUT WRITTEN PERMISSION				



NOTE:
 1.THE DIMENSION WITH TOLERANCE IN BOX SHOULD BE CONTROLLED BY FLEX SUPPLIER AND TOLERANCE OF OTHER DIMENSIONS:±0.3MM.
 2.The cable line can not be rotated with the weld point for more than 60 degrees.

ITEM	CABLE TYPE	THE LENGHT OF DIMENSION "L"
1	CABLE1(200mm)	190.88MM
2	CABLE1(150mm)	140.88MM
3	CABLE1(100mm)	90.88MM

ITEM	PART NAME	PN
1	CABLE1 for 2,4/5GHz stand alone (200mm)	479500005
	CABLE1 for 2,4/5GHz stand alone (150mm)	479500004
	CABLE1 for 2,4/5GHz stand alone (100mm)	479500003
2	FLEX1 for 2,4/5GHz stand 9mm(CABLE100MM)	479500002
	FLEX1 for 2,4/5GHz stand 9mm(CABLE150MM)	479500802
	FLEX1 for 2,4/5GHz stand 9mm(CABLE200MM)	479500902
3	2,4/5GHz stand alone 9mm assy(CABLE100MM)	479500001
	2,4/5GHz stand alone 9mm assy(CABLE150MM)	479501001
	2,4/5GHz stand alone 9mm assy(CABLE200MM)	479502001

ENTER DESCRIPTION EC NO:ABU2012-0079 DRWN: CHKD: APPR:	QUALITY SYMBOLS $F/0$ $F/0$ $F/0$	GENERAL TOLERANCES (UNLESS SPECIFIED) mm INCH 4 PLACES ± ± 3 PLACES ± ± 2 PLACES ± ± 1 PLACE ± ± ANGULAR ± °	DIMENSION STYLE DRAWN BY DATE Jack Shi 20110825 CHECKED BY DATE COOPERZHOU 20110825 APPROVED BY DATE WELSON TAN 20110825 MATERIAL NO. SEE TABLE	SCALE 5:1 DESIGN UNITS MM THIRD ANGLE PROJECTION	TITLE 2,4/5GHz stand alone 9mm Ant
	DRAFT WHERE APPLICABLE MUST REMAIN WITHIN DIMENSIONS		MOLEX INCORPORATED DOCUMENT NO. SD-47950-001 SHEET NO. 2 OF 2		
	THIS DRAWING CONTAINS INFORMATION THAT IS PROPRIETARY TO MOLEX INCORPORATED AND SHOULD NOT BE USED WITHOUT WRITTEN PERMISSION				
	REV C				