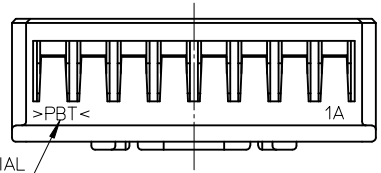
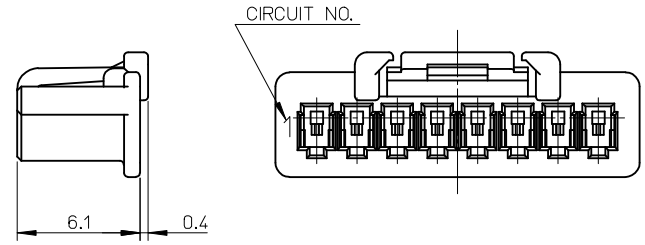
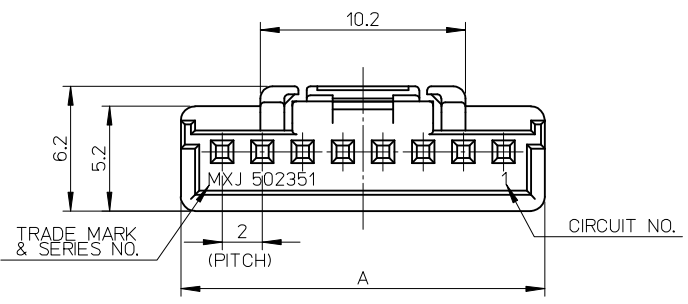
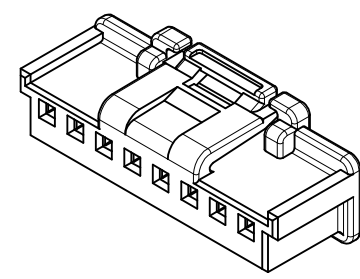
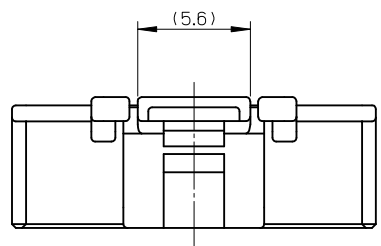


10 9 8 7 6 5 4 3 2 1

NOTES

1. 材質: PBT  
MATERIAL: PBT
2. 色: 白  
COLOR: WHITE
3. 適合端子: 50212, 50372, 56161シリーズ  
APPLICABLE TERMINAL: 50212, 50372, 56161 SERIES
4. 嵌合相手: 502352, 560020シリーズ  
MATES WITH: 502352, 560020 SERIES
5. ELV及びRoHS適合品  
ELV AND RoHS COMPLIANT



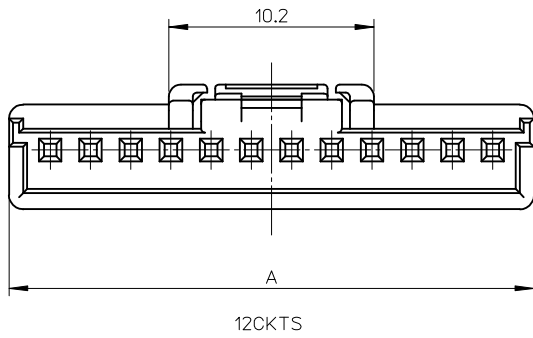
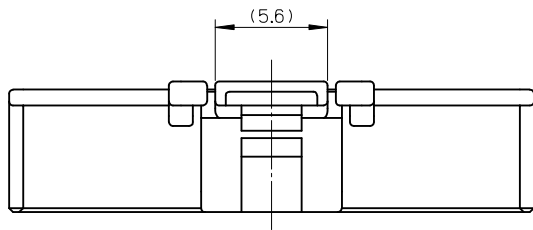
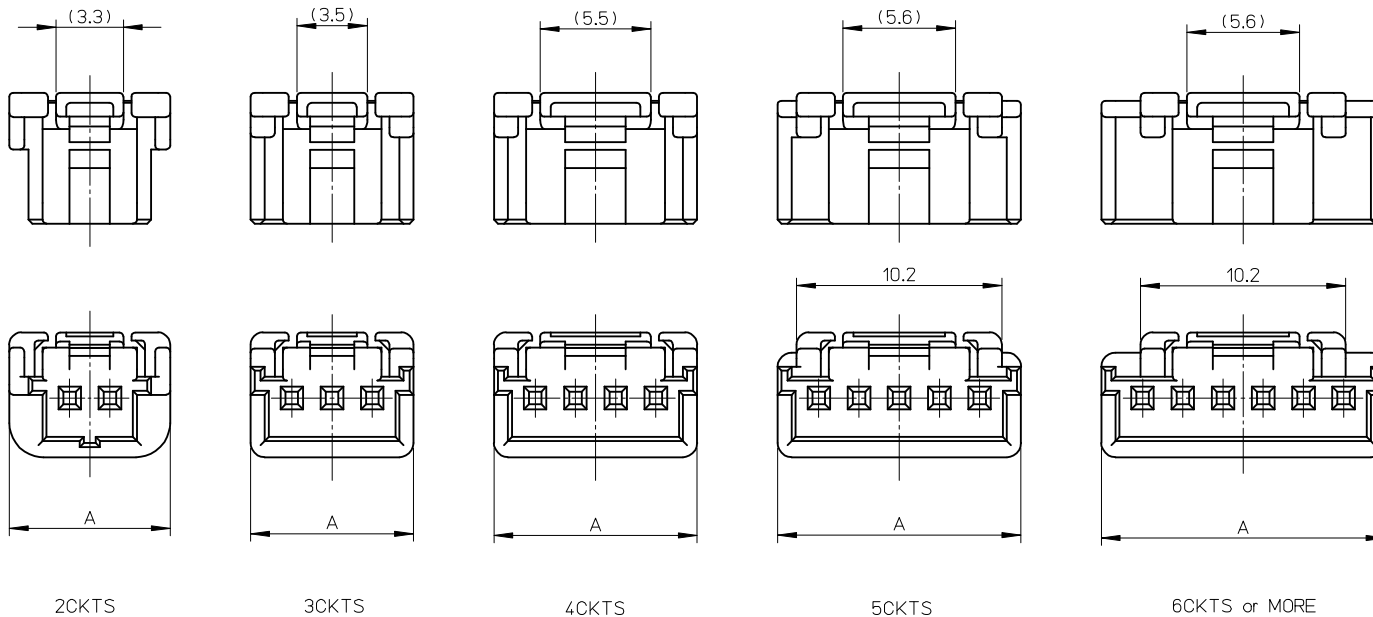
8CKTS

26.1	502351-1200	12
		11
		10
		9
18.1	502351-0800	8
16.1	502351-0700	7
14.1	502351-0600	6
12.1	502351-0500	5
10.1	502351-0400	4
8.1	502351-0300	3
8.0	502351-0200	2
A	MATERIAL NO.	CKTS

REVISED EC NO: JTR2013-0072 DRWN: Y. TAMAKI 2012/11/27 CHKD: H. KOMATSU 2012/11/27 APPR: M. MAYAMOTO 2013/05/20	GENERAL TOLERANCES (UNLESS SPECIFIED)		DIMENSION STYLE MM ONLY	SCALE 4:1	DESIGN UNITS METRIC	THIRD ANGLE PROJECTION
	10 UNDER	± 0.20	DRAWN BY SHSHIBATA	DATE 2007/12/18	TITLE 2.0MM PITCH WIRE TO BOARD CONN. RECEPTACLE HOUSING <b>molex</b> SD-502351-001 SHEET NO. 1 OF 2	
	10 OVER 30 UNDER	± 0.25	CHECKED BY HKOMATSU	DATE 2007/12/18		
	30 OVER	± 0.30	APPROVED BY MAYAMAMOTO	DATE 2010/12/02		
	ANGULAR ± 3 °		MATERIAL NO.	DOCUMENT NO.		
DRAFT WHERE APPLICABLE MUST REMAIN WITHIN DIMENSIONS		SEE CHART				
REV	DESCRIPTION	THIS DRAWING CONTAINS INFORMATION THAT IS PROPRIETARY TO MOLEX INCORPORATED AND SHOULD NOT BE USED WITHOUT WRITTEN PERMISSION				

9 8 7 6 5 4 3 2

10 9 8 7 6 5 4 3 2 1



<b>REVISED</b> EC NO: JTR2013-0072 DRWN: Y. TAMAKI 2012/11/27 CHKD: H. KOMATSU 2012/11/27 APPR: M. YAMAMOTO 2013/05/20	GENERAL TOLERANCES (UNLESS SPECIFIED)		DIMENSION STYLE <b>MM ONLY</b>	SCALE <b>4:1</b>	DESIGN UNITS <b>METRIC</b>	THIRD ANGLE PROJECTION	
	10 UNDER      ± 0.20	10 OVER 30 UNDER      ± 0.25	30 OVER      ± 0.30	DRAWN BY      DATE SHSHIBATA      2007/12/18	TITLE <b>2.0MM PITCH WIRE TO BOARD CONN. RECEPTACLE HOUSING</b>		
	ANGULAR      ± 3 °			CHECKED BY      DATE HKOMATSU      2007/12/18	APPROVED BY      DATE MAYAMAMOTO      2010/12/02		
	DRAFT WHERE APPLICABLE MUST REMAIN WITHIN DIMENSIONS			MATERIAL NO. <b>SEE CHART</b>	DOCUMENT NO. <b>SD-502351-001</b>	SHEET NO. <b>2 OF 2</b>	

9 8 7 6 5 4 3 2