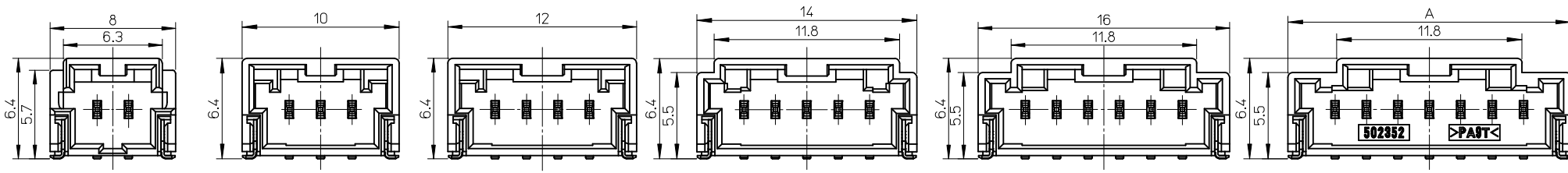
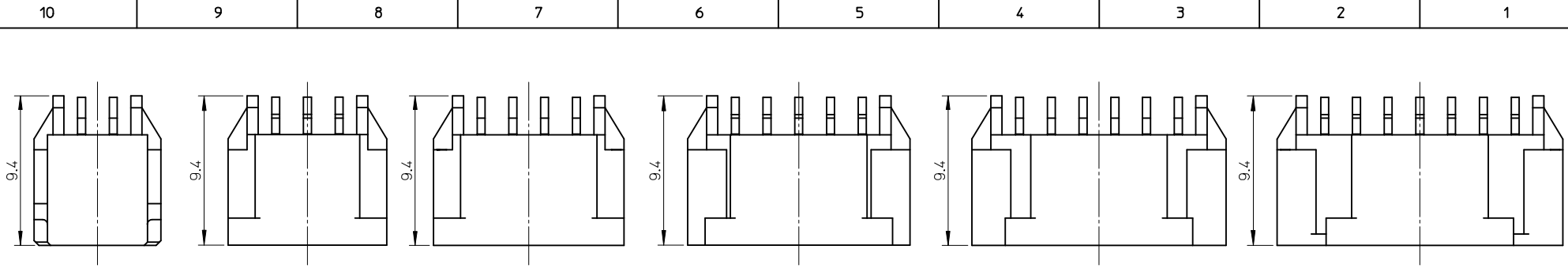


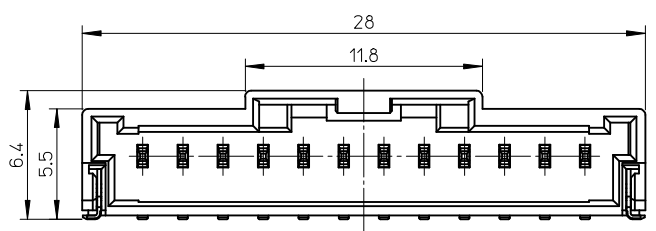
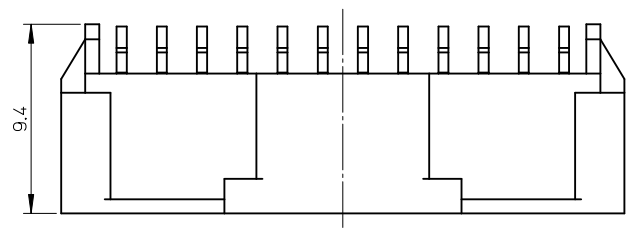
注記
NOTES

- 材質
ハウジング: 耐熱性ナイロン
ピン: 銅合金、ニッケル下地、錫メッキ、金メッキ
フィッティングネール: 銅合金、ニッケル下地、錫メッキ
MATERIAL
HOUSING: POLYAMIDE
PIN: COPPER ALLOY, GOLD OR TIN OVER NICKEL PLATE.
FITTING NAIL: COPPER ALLOY, TIN OVER NICKEL PLATE.
- 色: ナチュラル
COLOR: NATURAL
- 嵌合相手
ハウジング: 502351-**-00
錫メッキ端子: 50212-8*00, 50372-8*00
金メッキ端子: 56161-8*81
MATES WITH
HOUSING: 502351-**-00
SN PLATING TERMINAL: 50212-8*00, 50372-8*00
AU PLATING TERMINAL: 56161-8*81
- エンボス梱包品の詳細はSD-502352-002参照
DETAILED TAPING PACKAGE, SEE SD-502352-002.
- ELV及びRoHS適合
ELV AND RoHS COMPLIANT

REVISED EC NO: JTR2013-0072 DRMNY/TAMAKI 2012/11/27 CHKD:HKOMATSU 2012/11/27 APPR: MAYAMOTO 2013/05/20	GENERAL TOLERANCES (UNLESS SPECIFIED)		DIMENSION STYLE MM ONLY		SCALE 5:1	DESIGN UNITS METRIC	THIRD ANGLE PROJECTION
	10 UNDER	± 0.2	DRAWN BY SHSHIBATA	DATE 2007/12/18	TITLE 2.0MM PITCH W/B CONN. WAFER ASSY R/A SMT molex DOCUMENT NO. SD-502352-001 SHEET NO. 1 OF 3		
	10 OVER 30 UNDER	± 0.25	CHECKED BY HKOMATSU	DATE 2007/12/18			
	30 OVER	± 0.3	APPROVED BY AKANESHIGE	DATE 2007/12/18			
ANGULAR ±3°		MATERIAL NO. SEE CHART					
D	DRAFT WHERE APPLICABLE MUST REMAIN WITHIN DIMENSIONS		SIZE A3	THIS DRAWING CONTAINS INFORMATION THAT IS PROPRIETARY TO MOLEX INCORPORATED AND SHOULD NOT BE USED WITHOUT WRITTEN PERMISSION			



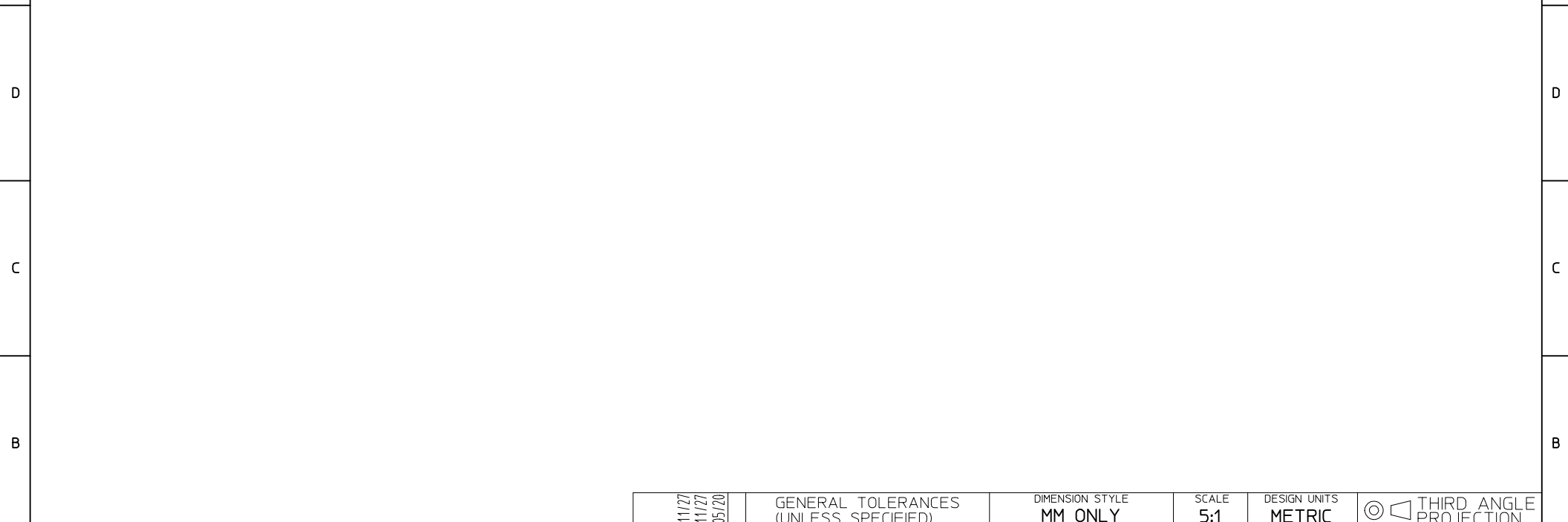
2CKTS 3CKTS 4CKTS 5CKTS 6CKTS 7CKTS or MORE



12CKTS

REVISED EC NO: JTR2013-0072 DRWN: Y. TAMAKI 2012/11/27 CHKD: H. KOMATSU 2012/11/27 APPR: M. YAMAMOTO 2013/05/20	GENERAL TOLERANCES (UNLESS SPECIFIED)		DIMENSION STYLE MM ONLY	SCALE 4:1	DESIGN UNITS METRIC	THIRD ANGLE PROJECTION
	10 UNDER	± 0.2	DRAWN BY SHSHIBATA	DATE 2007/12/18	TITLE 2.0MM PITCH W/B CONN. WAFER ASSY R/A SMT	
	10 OVER 30 UNDER	± 0.25	CHECKED BY HKOMATSU	DATE 2007/12/18		
	30 OVER	± 0.3	APPROVED BY AKANESHIGE	DATE 2007/12/18		
ANGULAR	± 3 °	MATERIAL NO.	SEE CHART		DOCUMENT NO. SD-502352-001	SHEET NO. 2 OF 3
DRAFT WHERE APPLICABLE MUST REMAIN WITHIN DIMENSIONS		SIZE A3	THIS DRAWING CONTAINS INFORMATION THAT IS PROPRIETARY TO MOLEX INCORPORATED AND SHOULD NOT BE USED WITHOUT WRITTEN PERMISSION			

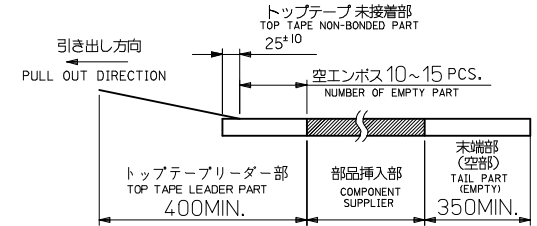
	10		9		8		7		6		5		4		3		2		1					
F	Sn	28.0	502352-1200	12	Au			12	Au	20.0	502352-0810	8	Au	18.0	502352-0710	7	Au	16.0	502352-0610	6				
				11				11				10				10				9			9	
				10				10				8				8				7			7	
				9				9				6				6				6			6	
				8				8				5				5				5			5	
				7				7				4				4				4			4	
				6				6				3				3				3			3	
				5				5				2				2				2			2	
				4				4																
				3				3																
		2			2																			
E	PLATING	A	EMBOSSED PACKAGE ORDER NO.	CKTS	PLATING	A	EMBOSSED PACKAGE ORDER NO.	CKTS																
CONNECTOR SERIES NO. 502352-**08					CONNECTOR SERIES NO. 502352-**18																			



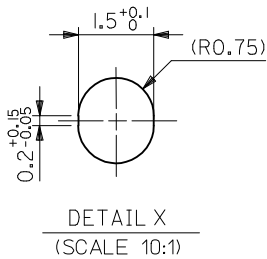
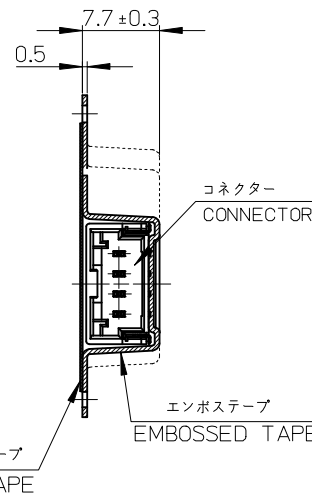
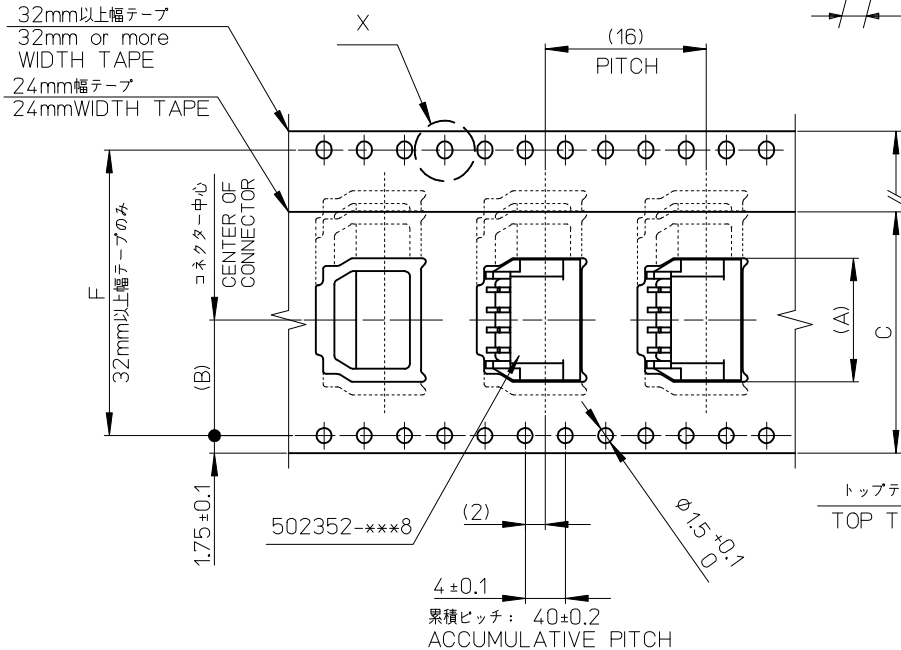
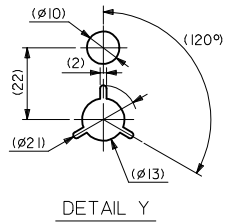
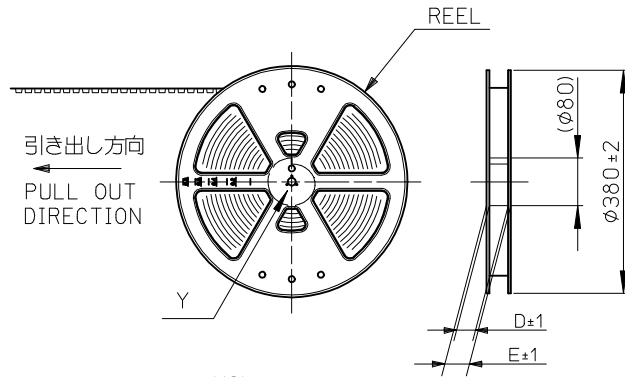
A	REVISED	EC NO: JTR2013-0072	DRWN:YAMAKI 2012/11/27	CHKD:HKOMATSU 2012/11/27	APPR: MAYAMOTO 2013/05/20	DESCRIPTION	GENERAL TOLERANCES (UNLESS SPECIFIED)		DIMENSION STYLE MM ONLY		SCALE 5:1	DESIGN UNITS METRIC	THIRD ANGLE PROJECTION	
							10 UNDER	±0.2	DRAWN BY	DATE	TITLE			
							10 OVER 30 UNDER	±0.25	SHSHIBATA	2007/12/18	2.0MM PITCH W/B CONN. WAFER ASSY R/A SMT			
							30 OVER	±0.3	CHECKED BY	DATE				
							ANGULAR ±3 °		HKOMATSU	2007/12/18	molex			
DRAFT WHERE APPLICABLE MUST REMAIN WITHIN DIMENSIONS		APPROVED BY	DATE											
		AKANESHIGE	2007/12/18	MATERIAL NO.		DOCUMENT NO.	SHEET NO.							
				SEE CHART		SD-502352-001	3 OF 3							
				THIS DRAWING CONTAINS INFORMATION THAT IS PROPRIETARY TO MOLEX INCORPORATED AND SHOULD NOT BE USED WITHOUT WRITTEN PERMISSION										

注記
NOTES

- 製品番号502352-***0 詳細寸法については、製品単体図面を参照下さい。
PART NO. 502352-***0 . SEE SALES DRAWING FOR CONNECTOR
- 梱包数量： 700個/リール
NUMBER OF CONNECTORS 700PCS/REEL
- リードテープ長さ
LEAD TAPE LENGHT



4. 材料
MATERIAL
キャリアテープ： ポリスチレン
CARRIER TAPE: POLYSTYRENE
トップテープ： PET, PE, PEF
TOP TAPE
リール： ポリスチレン
REEL: POLYSTYRENE



引き出し方向
PULL OUT DIRECTION

エンボステープ内の製品の向き
DIRECTION OF CONNECTOR
IN EMBOSSED TAPE

REVISED EC NO: JTR2013-0072 DRWN:YTAMAKI 2013/05/16 CHKD:HKOMATSU 2013/05/16 APPR: MAYAMAMOTO 2013/05/20	GENERAL TOLERANCES (UNLESS SPECIFIED)		DIMENSION STYLE MM ONLY		SCALE	DESIGN UNITS METRIC	THIRD ANGLE PROJECTION	
	10 UNDER	±0.2	DRAWN BY SHSHIBATA	DATE 2007/6/6	TITLE 2.0MM PITCH W/B CONN. WAFER ASSY EMBOSSED TAPE PACKAGE			
	10 OVER 30 UNDER	±0.25	CHECKED BY TAITO	DATE 2007/6/6				
	30 OVER	±0.3	APPROVED BY MAYAMAMOTO	DATE 2012/03/14				
ANGULAR	±1 °	DRAFT WHERE APPLICABLE MUST REMAIN WITHIN DIMENSIONS		MATERIAL NO. SEE CHART		DOCUMENT NO. SD-502352-002	SHEET NO. 1 OF 2	
REV	THIS DRAWING CONTAINS INFORMATION THAT IS PROPRIETARY TO MOLEX INCORPORATED AND SHOULD NOT BE USED WITHOUT WRITTEN PERMISSION							

	10	9	8	7	6	5	4	3	2	1												
F	Sn	40.4	49.4	45.4	44	20.2	28.3	502352-1200	12	Au	28.4	37.4	33.4	32	14.2	20.3	502352-0800	8	20.3	502352-0810	8	
							11	18.3	502352-0700							7	18.3	502352-0710				7
							10	16.3	502352-0600							6	16.3	502352-0610				6
							9	14.3	502352-0500							5	14.3	502352-0510				5
							8	12.3	502352-0400							4	12.3	502352-0410				4
	E	PLATING	F	E	D	C	(B)	(A)	11.5	24	11.5	12.3	502352-0310	3	10.3	502352-0310	3	8.3	502352-0210	2	エンボス梱包品 製品番号 MATERIAL NO.	極数 CKT.
									10.3	502352-0300	3	10.3	502352-0310	3								
									9	8.3	502352-0200	2	8.3	502352-0210	2							
									8	29.4	25.4	24	11.5	12.3	502352-0410	4						
									7	14.3	502352-0500	5	14.3	502352-0510	5							
E	PLATING	F	E	D	C	(B)	(A)	11.5	24	11.5	12.3	502352-0310	3	10.3	502352-0310	3	8.3	502352-0210	2	エンボス梱包品 製品番号 MATERIAL NO.	極数 CKT.	
								10.3	502352-0300	3	10.3	502352-0310	3									
								9	8.3	502352-0200	2	8.3	502352-0210	2								
								8	29.4	25.4	24	11.5	12.3	502352-0410	4							
								7	14.3	502352-0500	5	14.3	502352-0510	5								
	E	PLATING	F	E	D	C	(B)	(A)	11.5	24	11.5	12.3	502352-0310	3	10.3	502352-0310	3	8.3	502352-0210	2	エンボス梱包品 製品番号 MATERIAL NO.	極数 CKT.
									10.3	502352-0300	3	10.3	502352-0310	3								
									9	8.3	502352-0200	2	8.3	502352-0210	2							
									8	29.4	25.4	24	11.5	12.3	502352-0410	4						
									7	14.3	502352-0500	5	14.3	502352-0510	5							

REVISED EC NO: JTR2013-0072 DRWN:YAMAKI 2013/05/16 CHKD:KOMATSU 2013/05/16 APPR:MAYAMOTO 2013/05/20	GENERAL TOLERANCES (UNLESS SPECIFIED)	DIMENSION STYLE MM ONLY	SCALE 1:1	DESIGN UNITS METRIC	THIRD ANGLE PROJECTION
	10 UNDER ±0.2	DRAWN BY SHSHIBATA	DATE 2007/6/6	TITLE 2.0MM PITCH W/B CONN. WAFER ASSY EMBOSSSED TAPE PACKAGE	
	10 OVER 30 UNDER ±0.25	CHECKED BY TAITO	DATE 2007/6/6		
	30 OVER ±0.3	APPROVED BY MAYAMOTO	DATE 2012/03/14		
	ANGULAR ±1 °	MATERIAL NO. SEE CHART	DOCUMENT NO. SD-502352-002	SHEET NO. 2 OF 2	
DRAFT WHERE APPLICABLE MUST REMAIN WITHIN DIMENSIONS	THIS DRAWING CONTAINS INFORMATION THAT IS PROPRIETARY TO MOLEX INCORPORATED AND SHOULD NOT BE USED WITHOUT WRITTEN PERMISSION				