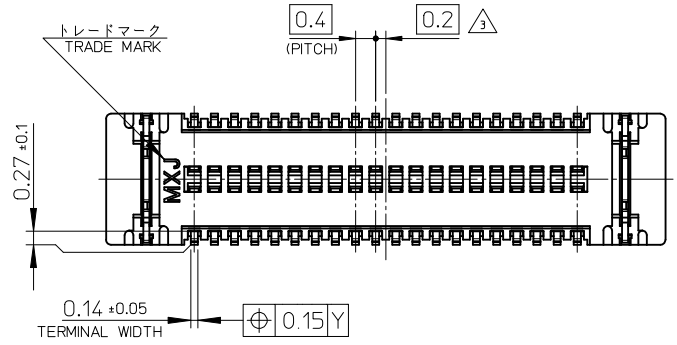
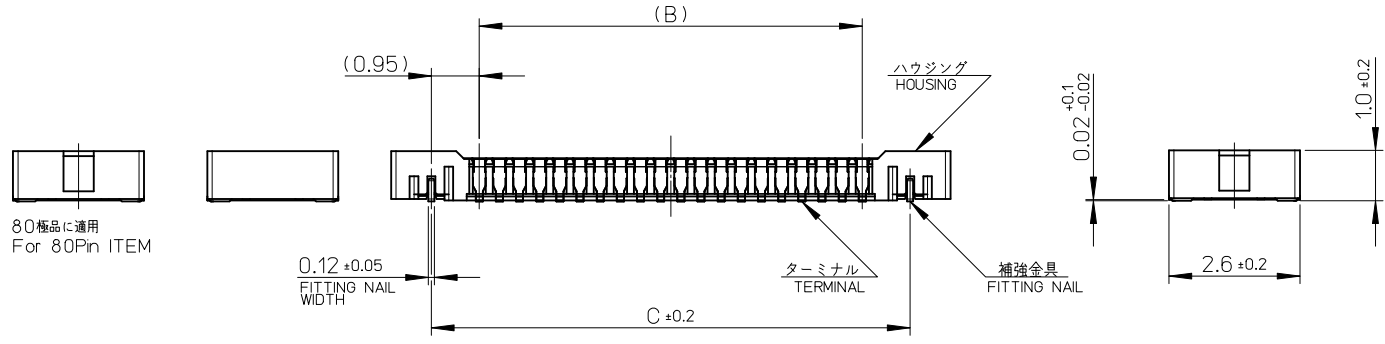
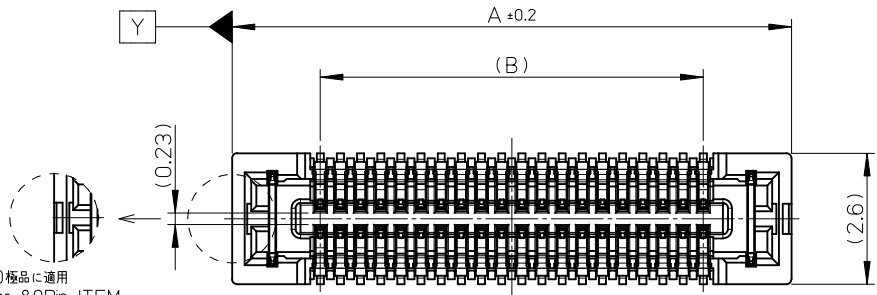


10 9 8 7 6 5 4 3 2 1



17.5	15.6	19.1	502426-8010	80
14.3	12.4	15.9	502426-6410	64
13.5	11.6	15.1	502426-6010	60
11.5	9.6	13.1	502426-5010	50
10.3	8.4	11.9	502426-4410	44
9.5	7.6	11.1	502426-4010	40
8.3	6.4	9.9	502426-3410	34
7.9	6.0	9.5	502426-3210	32
7.5	5.6	9.1	502426-3010	30
6.7	4.8	8.3	502426-2610	26
6.3	4.4	7.9	502426-2410	24
5.9	4.0	7.5	502426-2210	22
5.5	3.6	7.1	502426-2010	20
4.3	2.4	5.9	502426-1410	14
3.1	1.2	4.7	502426-0810	8
C	B	A	EMBOSSED PACKAGE	極数
オーダー番号 ORDER No.				CIRCUITS

CONNECTOR SERIES No. 502426-**19

REVISED EC NO: J2011-1598 DRW:KTOYODA 2011/05/23 CHK:D.TASAKAWA 2011/05/25 APPR:MSASAO 2011/06/16	GENERAL TOLERANCES (UNLESS SPECIFIED)		DIMENSION STYLE MM ONLY		SCALE 10:1	DESIGN UNITS METRIC	THIRD ANGLE PROJECTION		
	10 UNDER ± ---	10 OVER 30 UNDER ± ---	DRAWN BY RTAKEUCHI	DATE 2007/10/03	TITLE 0.4 B-TO-B CONN. HGT=1.0 W=2.6 REC ASSY				
	30 OVER ± ---	ANGULAR ± --- °	CHECKED BY MSASAO	DATE 2007/10/03	MOLEX INCORPORATED				
	DRAFT WHERE APPLICABLE MUST REMAIN WITHIN DIMENSIONS		APPROVED BY MSASAO	DATE 2007/10/03	MATERIAL NO. SEE TABLE	DOCUMENT NO. SD-502426-001	SHEET NO. 1 OF 2		
THIS DRAWING CONTAINS INFORMATION THAT IS PROPRIETARY TO MOLEX INCORPORATED AND SHOULD NOT BE USED WITHOUT WRITTEN PERMISSION									

注記 NOTES

1. 使用材料 MATERIAL

ハウジング：液晶ポリマー (LCP) ガラス充填 UL94V-0 (黒)
 HOUSING: LIQUID CRYSTAL POLYMER (GLASS FILLED) UL94V-0 (COLOR: BLACK)
 ターミナル：りん青銅 (t=0.1)
 TERMINAL : PHOSPHOR BRONZE (t=0.1)
 金具：りん青銅 (t=0.12)
 FITTING NAIL : PHOSPHOR BRONZE (t=0.12)

2. メッキ仕様 PLATING

ターミナル TERMINAL
 コンタクト部：金メッキ 0.1 マイクロメートル以上
 CONTACT AREA : GOLD 0.1 MICROMETER MINIMUM.
 テール部：金メッキ 0.05 マイクロメートル以上
 TAIL AREA : GOLD 0.05 MICROMETER MINIMUM.
 下地メッキ：ニッケルメッキ 1.0 マイクロメートル以上
 UNDER PLATING : NICKEL 1.0 MICROMETER MINIMUM
 ※コンタクト部とテール部はニッケルメッキによって分断されている金メッキです。
 DIVIDE INTO PARTS THE GOLD PLATING OF THE CONTACT AND THE TAIL PART BY THE NICKEL PLATING.
 ※封孔処理品

金具 FITTING NAIL

フラッシュ金メッキ
 FLASH Au PLATING
 下地メッキ：ニッケルメッキ 1.0 マイクロメートル以上
 UNDER PLATING : NICKEL 1.0 MICROMETER MINIMUM

△3 (全極数 / 2) = 偶数の場合に適用。
 APPLY FOR (CIRCUIT/2)=EVEN.

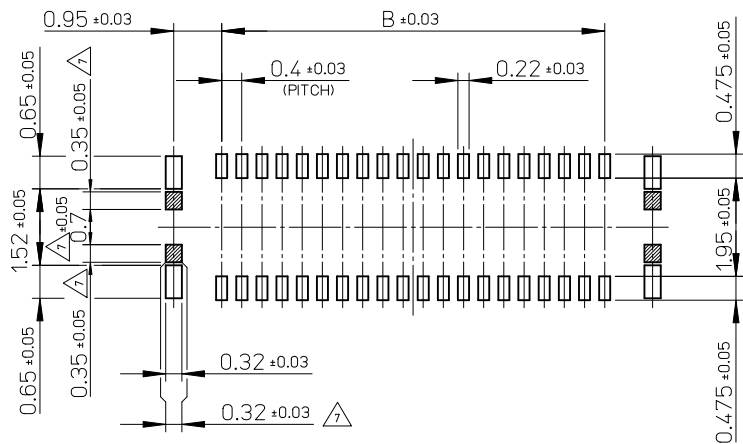
4. 嵌合相手： 502430 シリーズ
 MATE WITH : 502430 SERIES.

5. テール平坦度は、0.08 以下
 テール及び金具の平坦度は、0.1 以下
 TAIL COPLANARITY TO BE 0.08 MAXIMUM.
 TAIL AND FITTING NAIL COPLANARITY TO BE 0.1 MAXIMUM.

6. ELV 及び RoHS 適合品
 ELV AND RoHS COMPLIANT.

△7 斜線部はパターン書込み禁止範囲と半田禁止範囲を示す。

ただし、斜線部に補強金具と同一配線を配置する場合はレジストを施し、この部分に半田は無しこと。
 NO PATTERN CIRCUIT AND NO SOLDER ALLOWED IN THE SHADED AREA.
 HOWEVER, IF NEEDED TO ADD A TRACE OF THE SAME CIRCUIT, PUT THE SOLDER-RESIST,
 YET NO SOLDER ALLOWED IN THE AREA.

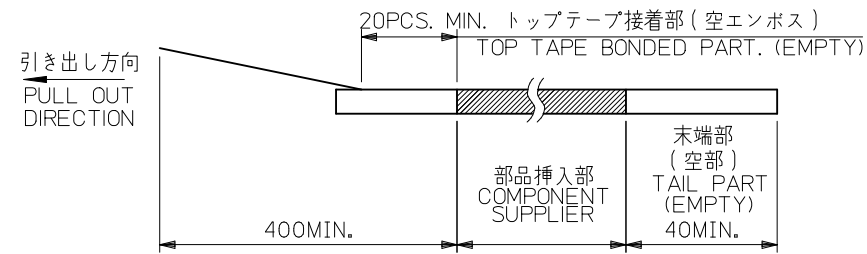
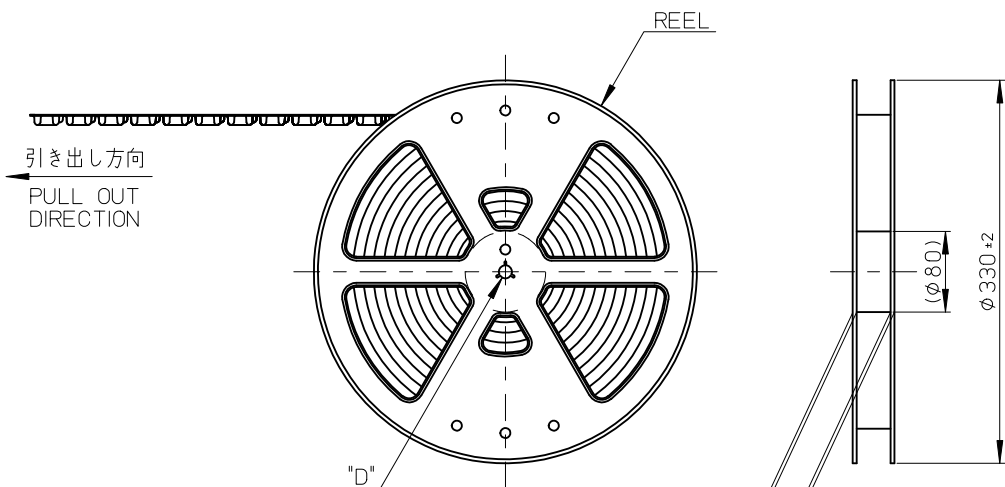


P.C. BOARD PATTERN LAYOUT
 (REFERENCE)

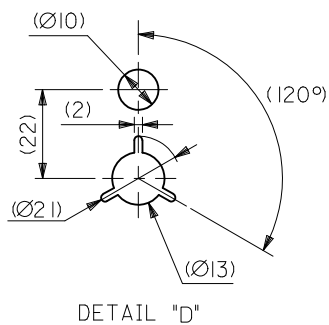
REVISED EC NO: J2011-1598 DRW: KTOYODA 2011/05/23 CHKD: TASAKAWA 2011/05/25 APPR: MSASAO 2011/06/16	GENERAL TOLERANCES (UNLESS SPECIFIED)		DIMENSION STYLE MM ONLY	SCALE 10:1	DESIGN UNITS METRIC	THIRD ANGLE PROJECTION
	10 UNDER	± ---	DRAWN BY RTAKEUCHI	DATE 2007/10/03	TITLE 0.4 B-TO-B CONN. HGT=1.0 W=2.6 REC ASSY	
	10 OVER 30 UNDER	± ---	CHECKED BY MSASAO	DATE 2007/10/03	MOLEX INCORPORATED	
	30 OVER	± ---	APPROVED BY MSASAO	DATE 2007/10/03	MATERIAL NO. SEE SHEET 1	DOCUMENT NO. SD-502426-001
	ANGULAR ± --- °	DRAFT WHERE APPLICABLE MUST REMAIN WITHIN DIMENSIONS	SIZE A3	THIS DRAWING CONTAINS INFORMATION THAT IS PROPRIETARY TO MOLEX INCORPORATED AND SHOULD NOT BE USED WITHOUT WRITTEN PERMISSION		

注記 NOTES

- 製品詳細寸法については製品単体図面を参照下さい。
RE DETAILED DIMENSION, SEE PRODUCT DRAWING.
- 梱包数量: 3000 個/リール
NUMBER OF CONNECTORS : 3000PCS/REEL
- リードテープ長さ LEAD TAPE LENGTH

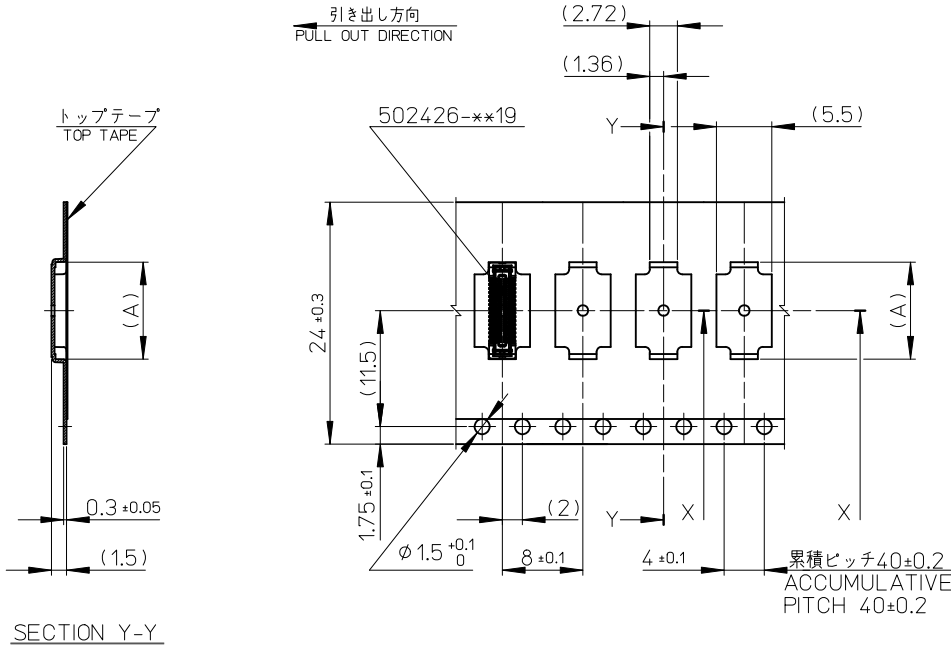


- 材料 MATERIAL
キャリアテープ (CARRIER TAPE): ポリスチレン (POLYSTYRENE)
トップテープ (TOP TAPE): PET, OTHER
リール (REEL): ポリスチレン (PS) <リサイクル材を含む>
POLYSTYRENE (PS) <RECYCLE MATERIAL CONTAINED>
- ELV 及び RoHS適合品
ELV AND RoHS COMPLIANT



DETAIL "D"

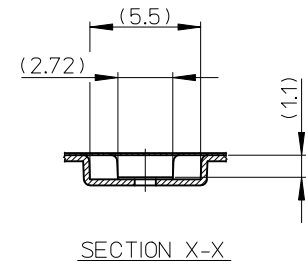
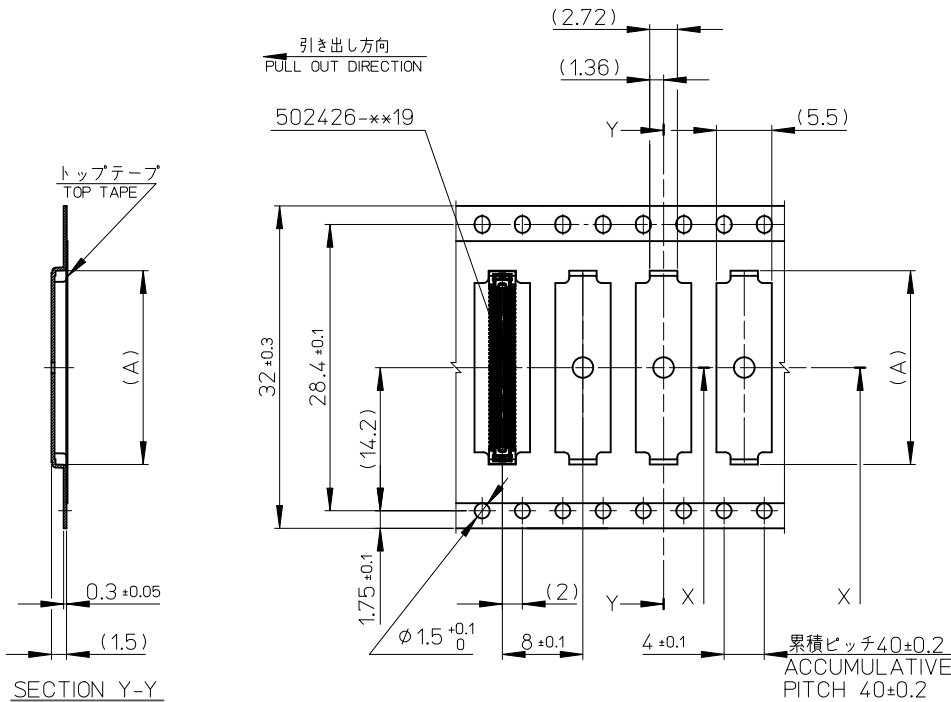
REVISED EC NO.: J2011-0016 DRWN: TANIGUCHI 01/2010/07/05 CHKD: MSASAO 2010/07/05 APPR: MSASAO 2010/07/07	GENERAL TOLERANCES (UNLESS SPECIFIED)		DIMENSION STYLE MM ONLY		SCALE ---	DESIGN UNITS METRIC	MODEL NO. 502426-***10
	10 UNDER ±---		DRAWN BY DATE RTAKEUCHI 2007/10/03		TITLE 0.4 B-TO-B CONN. HGT=1.0 REC ASSY EMBSTP PKG		
	10 OVER 30 UNDER ±---		CHECKED BY DATE MSASAO 2007/10/03		APPROVED BY DATE MSASAO 2007/10/03		
	30 OVER ±---		MATERIAL NO. SEE TABLE		DOCUMENT NO. SD-502426-002		
	ANGULAR ±---°		SIZE A3		SHEET NO. 1 OF 4		



24mm 幅キャリアテープ
24mm WIDTH CARRIER TAPE

24	29.4	25.4	16.02	502426-6410	64
			15.22	502426-6010	60
			13.22	502426-5010	50
			12.02	502426-4410	44
			11.22	502426-4010	40
			10.02	502426-3410	34
			9.62	502426-3210	32
9.22	502426-3010	30			
キャリアテープ幅 CARRIER TAPE WIDTH			C	B	(A)
			MATERIAL No.		CKT.
			MODEL No.		502426-**-**10

REVISED EC NO: J2011-0016 DRWN: TANIGUCHI 2010/07/05 CHKD: MSASAO 2010/07/05 APPR: MSASAO 2010/07/07	DESCRIPTION REV	GENERAL TOLERANCES (UNLESS SPECIFIED)		DIMENSION STYLE MM ONLY		SCALE ---	DESIGN UNITS METRIC	THIRD ANGLE PROJECTION		
		10 UNDER	±---	DRAWN BY RTAKEUCHI	DATE 2007/10/03	TITLE 0.4 B-TO-B CONN. HGT=1.0 REC ASSY EMBSTP PKG				
		10 OVER 30 UNDER	±---	CHECKED BY MSASAO	DATE 2007/10/03	APPROVED BY MSASAO 2007/10/03				
		30 OVER	±---	APPROVED BY MSASAO 2007/10/03		MATERIAL NO. SEE TABLE		DOCUMENT NO. SD-502426-002		
ANGULAR ±---° DRAFT WHERE APPLICABLE MUST REMAIN WITHIN DIMENSIONS		SIZE A3		THIS DRAWING CONTAINS INFORMATION THAT IS PROPRIETARY TO MOLEX INCORPORATED AND SHOULD NOT BE USED WITHOUT WRITTEN PERMISSION						



32mm 幅キャリアテープ
32mm WIDTH CARRIER TAPE

32	37.4	33.4	19.22	502426-8010	80
キャリアテープ幅 CARRIER TAPE WIDTH			C	B	(A)
				MATERIAL No.	502426-**-10
				MODEL No.	502426-**-10

REVISED EC NO: J2011-0016 DRWN: TANIGUCHI 012010/07/05 CHKD: MSASAO 2010/07/05 APPR: MSASAO 2010/07/07 J REV	DESCRIPTION GENERAL TOLERANCES (UNLESS SPECIFIED) 10 UNDER ± --- 10 OVER 30 UNDER ± --- 30 OVER ± --- ANGULAR ± --- ° DRAFT WHERE APPLICABLE MUST REMAIN WITHIN DIMENSIONS	DIMENSION STYLE MM ONLY	SCALE ---	DESIGN UNITS METRIC	THIRD ANGLE PROJECTION	
		DRAWN BY RTAKEUCHI	DATE 2007/10/03	TITLE 0.4 B-TO-B CONN. HGT=1.0 REC ASSY EMBSTP PKG		
		CHECKED BY MSASAO	DATE 2007/10/03	MOLEX INCORPORATED		
		APPROVED BY MSASAO	DATE 2007/10/03	MATERIAL NO. SEE TABLE	DOCUMENT NO. SD-502426-002	SHEET NO. 4 OF 4
		THIS DRAWING CONTAINS INFORMATION THAT IS PROPRIETARY TO MOLEX INCORPORATED AND SHOULD NOT BE USED WITHOUT WRITTEN PERMISSION				