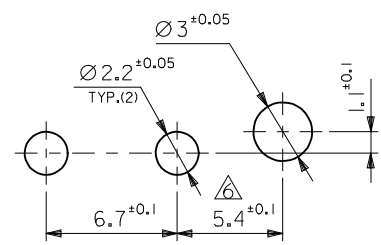
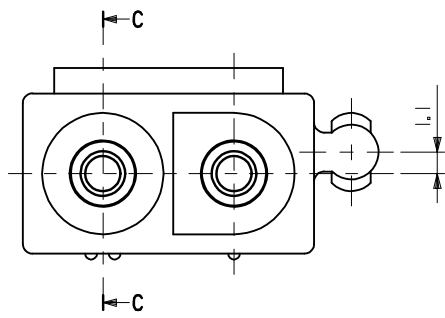
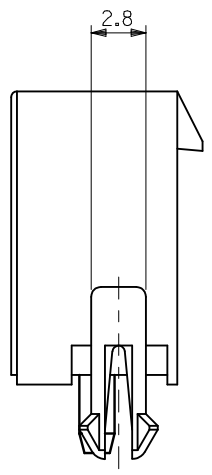
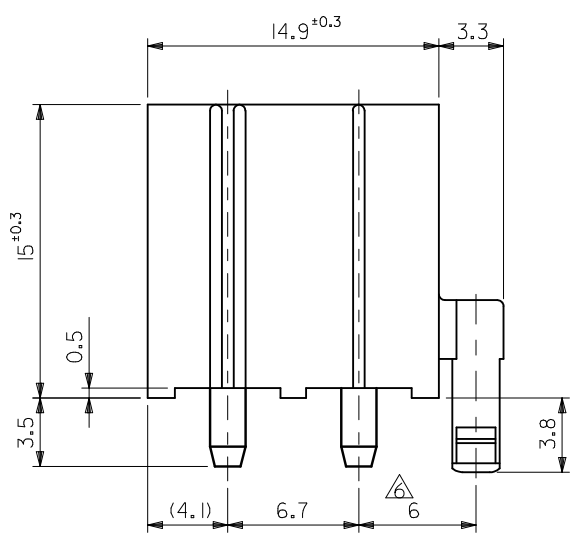
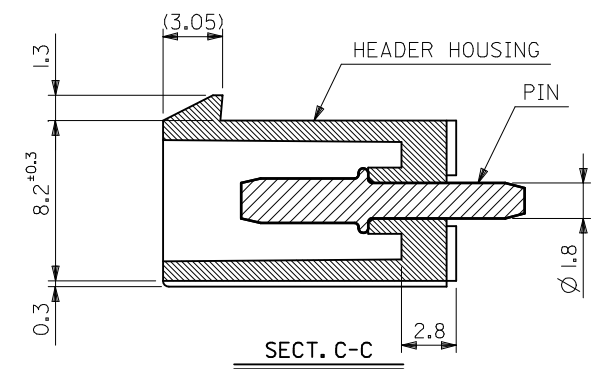


10 9 8 7 6 5 4 3 2 1

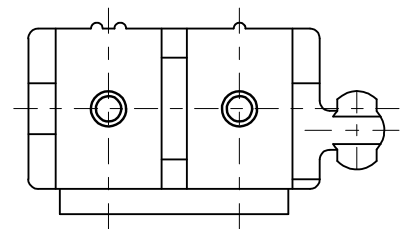


**RECOMMENDED P.C.BOARD HOLE DIM.**



**NOTES:**

- 1) MATERIAL:  
 HOUSING: "BLANK" = NYLON 6/6, UL94V-2, COLOR: NATURAL  
 "201" = NYLON 6/6, UL94V-0, COLOR: NATURAL  
 TERMINAL: C2700W BRASS
- 2) FINISH: 0.000003/(.0000001) MIN. TIN OVERALL OVER  
 0.000001/(.00000004) MIN. NICKEL OVERALL
- 3) PRODUCT SPECIFICATION: NONE
- 4) PACKAGING: PK-5219-002
- 5) MATES WITH: 3191-02R SERIES
- △ DIFFERENCE OF DIMENSION IS INTENTIONAL TO PREVENT PART RISING FROM P.C.B.
- 7) PARTS CONFORM TO CLASS 'B' REQUIREMENTS OF COSMETIC SPECIFICATION PS-45499-002.
- 8) ASSEMBLIES MAY CONTAIN SOLID OR SWAGED (HOLLOW) PINS.



2	39-28-7028	5219-02A-201
	15-31-1026	5219-02A
CIRCUITS	EDP.NO.	ENG.NO.

ADD PKG SPECS EC NO: UCP2013-4695 DRW: AELHAG 2013/04/29 CHKD: JBEL 2013/04/29 APPR: FSMITH 2013/05/13	QUALITY SYMBOLS ▽=0 ▽=0	GENERAL TOLERANCES (UNLESS SPECIFIED)		DIMENSION STYLE MM ONLY		SCALE ---	DESIGN UNITS METRIC	THIRD ANGLE PROJECTION			
		4 PLACES ± --- ± --- 3 PLACES ± --- ± .005 2 PLACES ± 0.13 ± .010 1 PLACE ± 0.25 ± ---	DRAWN BY H.HASEGAWA	DATE 1994/10/26	TITLE NEW INTERNATIONAL CONN. HEADER AND ASSY						
		ANGULAR ± 1 °	CHECKED BY H.HIRAMOTO	DATE 1996/02/26	APPROVED BY M.FUKUSHIMA						
		DRAFT WHERE APPLICABLE MUST REMAIN WITHIN DIMENSIONS	SEE CHART		MATERIAL NO.		DOCUMENT NO. SD-5219-02A*- *			SHEET NO. 1 OF 1	

9 8 7 6 5 4 3 2 1