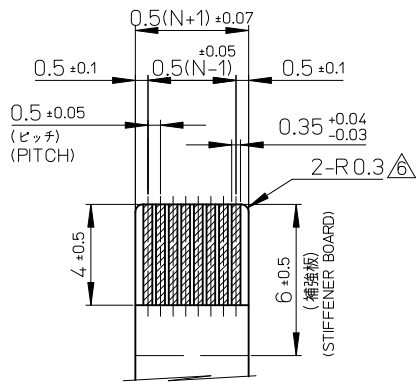


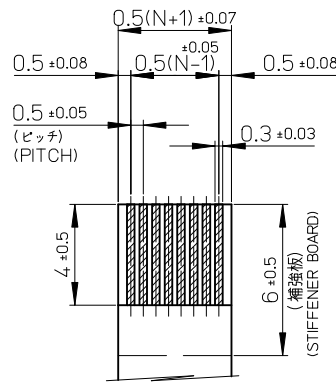
21.6	19.6	15.65	14.5	52435-3071	30
21.1	19.1	15.15	14.0	52435-2971	29
20.6	18.6	14.65	13.5	52435-2871	28
20.1	18.1	14.15	13.0	52435-2771	27
19.6	17.6	13.65	12.5	52435-2671	26
19.1	17.1	13.15	12.0	52435-2571	25
18.6	16.6	12.65	11.5	52435-2471	24
18.1	16.1	12.15	11.0	52435-2371	23
17.6	15.6	11.65	10.5	52435-2271	22
17.1	15.1	11.15	10.0	52435-2171	21
14.6	12.6	8.65	7.5	52435-1671	16
D	C	B	(A)	EMBOSSED PACKAGE ORDER No. オーダー番号	極数 CKT.

CONNECTOR SERIES NO. : 52435-**29

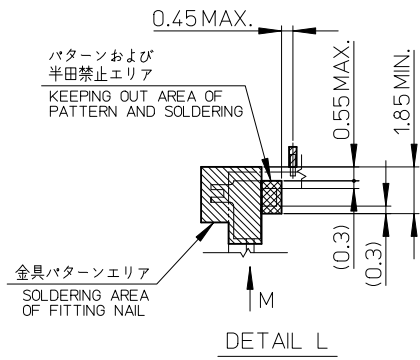
REVISED EC NO: J2010-2580 DRWN:HYOSHINO 2010/06/24 CHKD:HSHIMUYAMA 2010/06/29 APPR:KMORIKAWA 2010/07/02	GENERAL TOLERANCES (UNLESS SPECIFIED)		DIMENSION STYLE MM ONLY		SCALE 10:1	DESIGN UNITS METRIC	THIRD ANGLE PROJECTION	
	10 UNDER	±0.2	DRAWN BY M.UMEDA	DATE 2005/01/17	TITLE 0.5 FPC CONN. ZIF FOR SMT R/A(TOP CONTACT)			
	10 OVER 30 UNDER	±0.25	CHECKED BY K.TOYODA	DATE 2005/01/17	MOLEX INCORPORATED			
	30 OVER	±0.3	APPROVED BY N.UKITA	DATE 2005/01/17	DOCUMENT NO. SD-52435-016			
REV	DESCRIPTION	ANGULAR ±3 °	MATERIAL NO.		SEE TABLE		SHEET NO. 1 OF 2	
DRAFT WHERE APPLICABLE MUST REMAIN WITHIN DIMENSIONS		THIS DRAWING CONTAINS INFORMATION THAT IS PROPRIETARY TO MOLEX INCORPORATED AND SHOULD NOT BE USED WITHOUT WRITTEN PERMISSION						



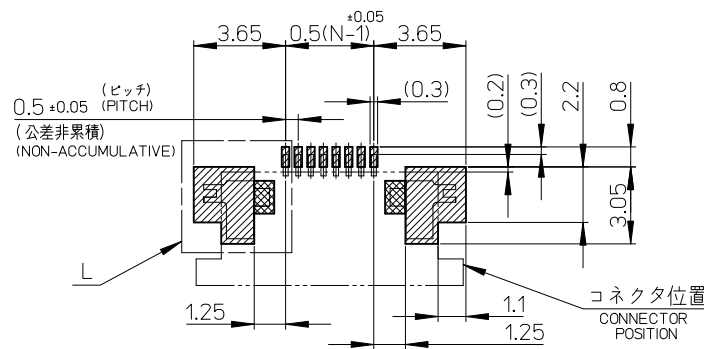
適合FPC推奨寸法
 APPLICABLE FPC
 RECOMMENDED DIMENSION
 (仕上がり厚さ : 0.3±0.05)
 (THICKNESS : 0.3±0.05)



適合FFC推奨寸法
 APPLICABLE FFC
 RECOMMENDED DIMENSION
 (仕上がり厚さ : 0.3±0.05)
 (THICKNESS : 0.3±0.05)

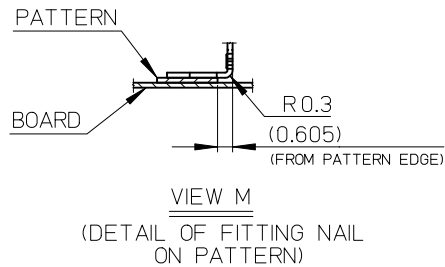


DETAIL L



参考基板レイアウト
 (マウント面)

RECOMMENDED P.C. BOARD
 PATTERN DIMENSION (REF.)
 (MOUNTING SIDE)

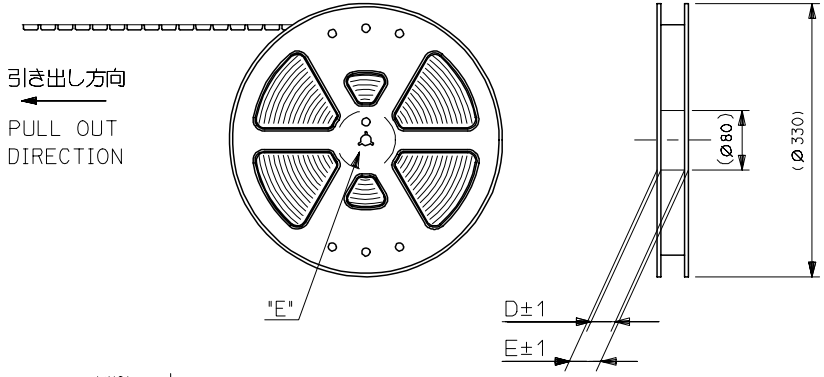


VIEW M
 (DETAIL OF FITTING NAIL
 ON PATTERN)

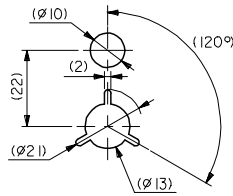
注記 NOTES

1. 使用材料 : MATERIAL
 ハウジング : 46ナイロン UL94V-0
 HOUSING : 46NYLON
 アクチュエータ : PPS UL94V-0
 ACTUATOR
 ターミナル : リン青銅 金メッキ(t=0.2)
 TERMINAL : PHOS-BRONZE GOLD-PLATED
 金具 : リン青銅 錫メッキ(t=0.2)
 FITTING NAIL : PHOS-BRONZE TIN-PLATED
2. エンボステープ梱包時は、アクチュエータがロックした状態とする。
 IN THE PACKAGE, ACTUATOR OF PART NO. 52435-**29 SHOULD BE LOCKED.
3. ソルダーテール半田付け面のズレ量、および金具半田付け面のズレ量は、基準面 H に対し上方向 0.1MAXIMUM、下方向 0.15MAXIMUM とし、相互のばらつきは 0.1MAXIMUM とする。
 MISALIGNMENT OF SOLDER TAILS AND FITTING NAILS FROM H
 UPPER DIRECTION : 0.1MAXIMUM, LOWER DIRECTION : 0.15MAXIMUM
 OFFSET BETWEEN UPPER AND LOWER : 0.1MAXIMUM.
4. 偶数極に適用。
 APPLY FOR EVEN CIRCUIT.
5. パターンはく離止め金具。
 FITTING NAIL FOR PREVENTION OF PEELING OF P.W.B PATTERN.
6. R0.3はFPCの導体部にかからないこと。
 R0.3 MUST NOT BE OVERLAPPED TO PATTERN OF FPC.
7. ELV および RoHS 適合品。
 ELV AND RoHS COMPLIANT.

REVISED EC NO: J2010-2580 DRWN:HYOSHINO 2010/06/24 CHKD:HSHIMOTOYAMA 2010/06/29 APPR:KMORIKAWA 2010/07/02	DESCRIPTION REV	GENERAL TOLERANCES (UNLESS SPECIFIED)		DIMENSION STYLE MM ONLY		SCALE 5:1	DESIGN UNITS METRIC	THIRD ANGLE PROJECTION		
		10 UNDER	±0.2	DRAWN BY M.UMEDA	DATE 2005/01/17	TITLE 0.5 FPC CONN. ZIF FOR SMT R/A(TOP CONTACT)				
		10 OVER 30 UNDER	±0.25	CHECKED BY K.TOYODA	DATE 2005/01/17	MOLEX INCORPORATED				
		30 OVER	±0.3	APPROVED BY N.UKITA	DATE 2005/01/17	MATERIAL NO. SEE TABLE		DOCUMENT NO. SD-52435-016	SHEET NO. 2 OF 2	
ANGULAR ±3 ° DRAFT WHERE APPLICABLE MUST REMAIN WITHIN DIMENSIONS		SIZE A3	THIS DRAWING CONTAINS INFORMATION THAT IS PROPRIETARY TO MOLEX INCORPORATED AND SHOULD NOT BE USED WITHOUT WRITTEN PERMISSION							



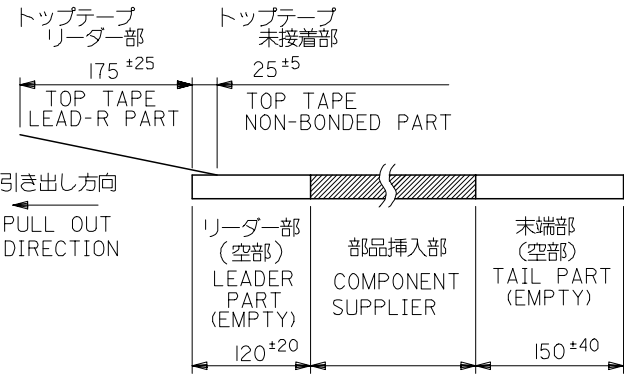
引き出し方向
PULL OUT
DIRECTION



DETAIL "E"

注記 NOTES

- 製品番号 52435-***29 の梱包状態はアクチュエータがロックした状態とする。
詳細寸法については図面 RSD-52435-027 を参照下さい。
IN THE PACKAGE, ACTUATOR OF PART NO. 52435-***29 SHOULD BE LOCKED RE DETAILED DIMENSIONS, SEE RSD-52435-027
- 梱包数量：1000個/リール
NUMBER OF CONNECTORS: 1000PCS/REEL
- リードテープ長さ LEAD TAPE LENGTH

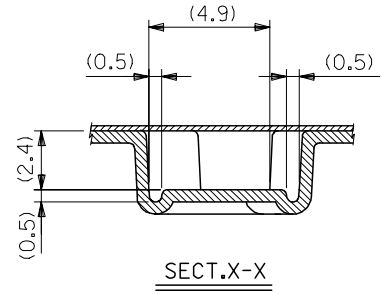
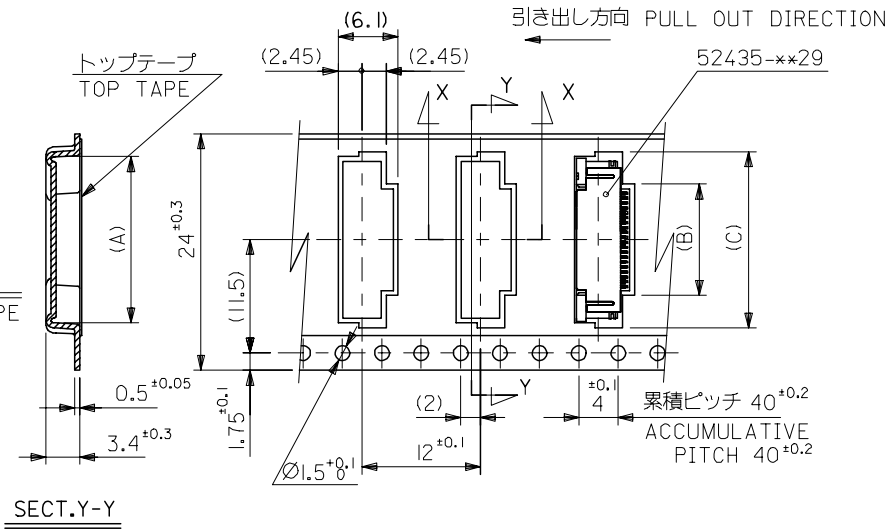


4. 材料 (MATERIAL)

キャリアテープ (CARRIER TAPE): ポリプロピレン (POLYPROPYLENE)
 トップテープ (TOPTAPE): PET, PE, PEF
 リール (REEL): ポリスチレン (PS) <リサイクル材を含む>
 POLYSTYREN (PS) <RECYCLE MATERIAL CONTAINED>

REVISED EC NO: J2006-2753 DRWN: TENAGASE 2006/03/03 CHKD: THARUYAMA 2006/03/10 APPR: NUKITA 2006/03/17	GENERAL TOLERANCES (UNLESS SPECIFIED)		DIMENSION STYLE MM ONLY		SCALE ---	DESIGN UNITS METRIC	THIRD ANGLE PROJECTION	
	10 UNDER	± 0.2	DRAWN BY M.UMEDA	DATE 2005/01/17	TITLE 0.5 FPC CONN. ZIF SMT RA WITH TAPE EMBSTP PKG -LEAD FREE-			
	10 OVER 30 UNDER	± 0.25	CHECKED BY K. TOYODA	DATE 2005/01/17				
	30 OVER	± 0.3	APPROVED BY N. UKITA	DATE 2005/01/17	MOLEX INCORPORATED			
	ANGULAR	± 3 °	MATERIAL NO. 52435-***71	DOCUMENT NO. SD-52435-017				
DRAFT WHERE APPLICABLE MUST REMAIN WITHIN DIMENSIONS		SIZE A3	THIS DRAWING CONTAINS INFORMATION THAT IS PROPRIETARY TO MOLEX INCORPORATED AND SHOULD NOT BE USED WITHOUT WRITTEN PERMISSION					

24mm幅キャリアテープ
24mm WIDTH CARRIER TAPE



24	29.4	25.4	18.4	11.8	17.4	52435-2171	21
			15.9	9.3	14.9	52435-1671	16
キャリアテープ幅 CARRIER TAPE WIDTH	E	D	(C)	(B)	(A)	MATERIAL NO.	極数 CIRCUIT
DIMENSION STYLE MM ONLY		SCALE ---	DESIGN UNITS METRIC		THIRD ANGLE PROJECTION		
DRAWN BY M.UMEDA	DATE 2005/01/17	TITLE 0.5 FPC CONN. ZIF SMT RA WITH TAPE EMBSTP PKG -LEAD FREE-					
CHECKED BY K.TOYODA	DATE 2005/01/17	MOLEX INCORPORATED					
APPROVED BY N.UKITA	DATE 2005/01/17	MATERIAL NO. 52435-**71	DOCUMENT NO. SD-52435-017	SHEET NO. 2 OF 4			
SIZE A3 THIS DRAWING CONTAINS INFORMATION THAT IS PROPRIETARY TO MOLEX INCORPORATED AND SHOULD NOT BE USED WITHOUT WRITTEN PERMISSION							

REVISED EC NO: J2006-2753 DRWN: TENAGASE 2006/03/03 CHKD: THARUYAMA 2006/03/10 APPR: NUKITA 2006/03/17	GENERAL TOLERANCES (UNLESS SPECIFIED)	
	10 UNDER	±0.2
	10 OVER 30 UNDER	±0.25
	30 OVER	±0.3
	ANGULAR	±3 °
DRAFT WHERE APPLICABLE MUST REMAIN WITHIN DIMENSIONS		

10 9 8 7 6 5 4 3 2 1

F

E

D

C

B

A

F

E

D

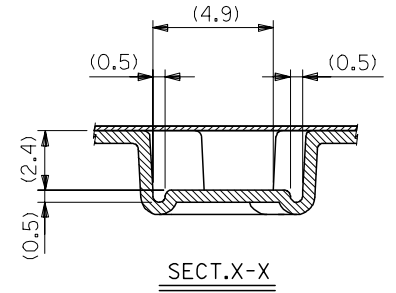
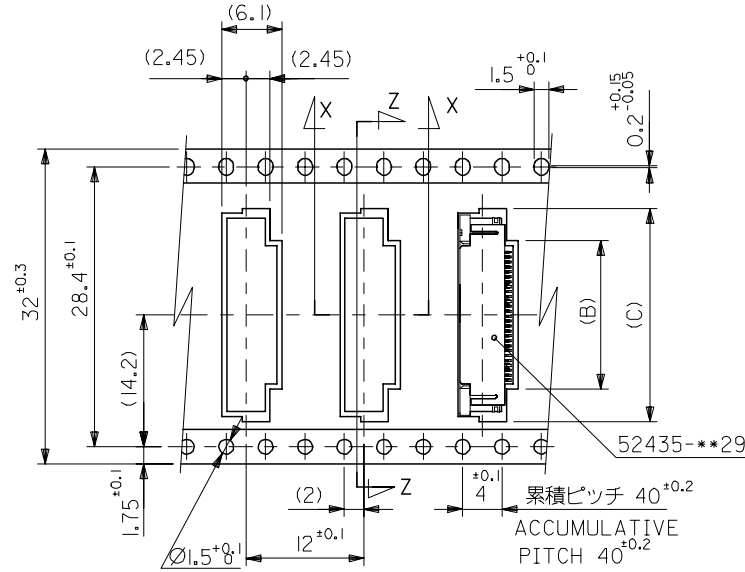
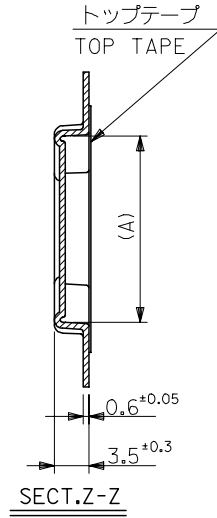
C

B

A

引き出し方向
PULL OUT DIRECTION

32mm幅キャリアテープ
32mm WIDTH CARRIER TAPE



32	37.4	33.4	22.4	15.8	21.4	52435-2971	29
			21.9	15.3	20.9	52435-2871	28
			21.4	14.8	20.4	52435-2771	27
			20.9	14.3	19.9	52435-2671	26
			20.4	13.8	19.4	52435-2571	25
			19.9	13.3	18.9	52435-2471	24
			19.4	12.8	18.4	52435-2371	23
			18.9	12.3	17.9	52435-2271	22

キャリアテープ幅
CARRIER TAPE WIDTH

SCALE ---

DESIGN UNITS METRIC

THIRD ANGLE PROJECTION

REVISED EC NO: J2006-2753 DRWN: TENAGASE 2006/03/03 CHKD: THARYAMA 2006/03/10 APPR: NUKITA 2006/03/17	GENERAL TOLERANCES (UNLESS SPECIFIED)		DIMENSION STYLE MM ONLY		TITLE 0.5 FPC CONN. ZIF SMT RA WITH TAPE EMBSTP PKG -LEAD FREE-	
	10 UNDER	±0.2	DRAWN BY M.UMEDA		DATE 2005/01/17	
	10 OVER 30 UNDER	±0.25	CHECKED BY K.TOYODA		DATE 2005/01/17	
	30 OVER	±0.3	APPROVED BY N.NUKITA		DATE 2005/01/17	
	ANGULAR	±3 °	MATERIAL NO. 52435-**71		DOCUMENT NO. SD-52435-017	
DRAFT WHERE APPLICABLE MUST REMAIN WITHIN DIMENSIONS			SIZE A3		SHEET NO. 3 OF 4	

9

8

7

6

5

4

3

2

10 9 8 7 6 5 4 3 2 1

F

E

D

C

B

A

F

E

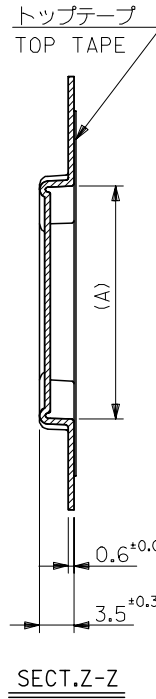
D

C

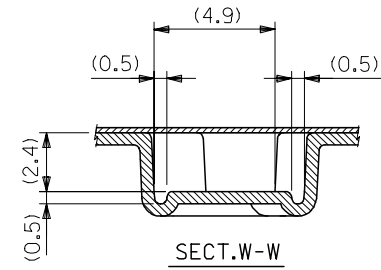
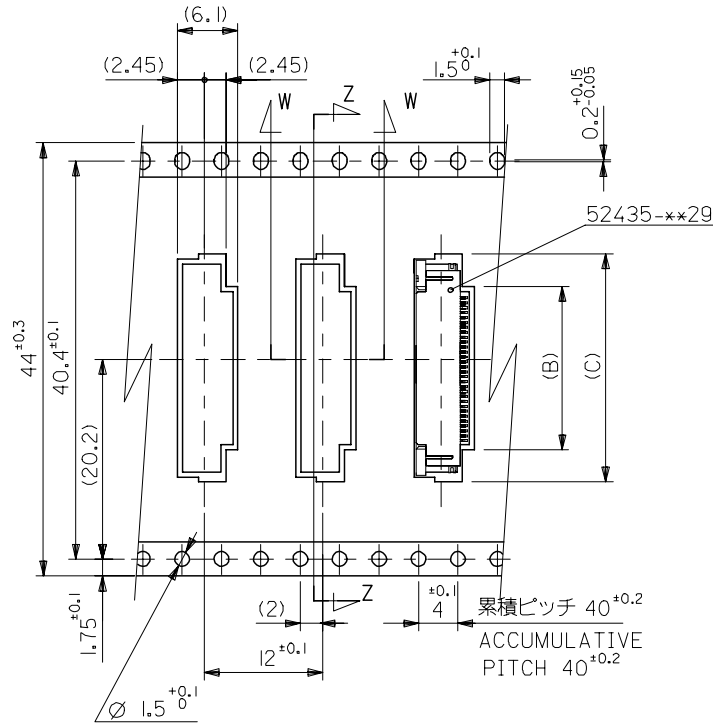
B

A

引き出し方向
PULL OUT DIRECTION



44mm幅キャリアテープ
44mm WIDTH CARRIER TAPE



44	49.4	45.4	22.9	16.3	21.9	52435-3071	30
キャリアテープ幅 CARRIER TAPE WIDTH	E	D	(C)	(B)	(A)	MATERIAL NO.	極数 CIRCUIT

REVISED EC NO: J2006-2753 DRWN: TENAGASE 2006/03/03 CHKD: THARUYAMA 2006/03/10 APPR: NUKITA 2006/03/17	GENERAL TOLERANCES (UNLESS SPECIFIED)		DIMENSION STYLE MM ONLY		SCALE ---	DESIGN UNITS METRIC	THIRD ANGLE PROJECTION	
	10 UNDER	± 0.2	DRAWN BY M.UMEDA	DATE 2005/01/17	TITLE 0.5 FPC CONN ZIF SMT RA WITH TAPE EMBSTP PKG -LEAD FREE-			
	10 OVER 30 UNDER	± 0.25	CHECKED BY K.TOYODA	DATE 2005/01/17				
	30 OVER	± 0.3	APPROVED BY N.UKITA	DATE 2005/01/17	MOLEX INCORPORATED			
ANGULAR	± 3 °	MATERIAL NO. 52435-**-71		DOCUMENT NO. SD-52435-017				
DRAFT WHERE APPLICABLE MUST REMAIN WITHIN DIMENSIONS		THIS DRAWING CONTAINS INFORMATION THAT IS PROPRIETARY TO MOLEX INCORPORATED AND SHOULD NOT BE USED WITHOUT WRITTEN PERMISSION						

9

8

7

6

5

4

3

2