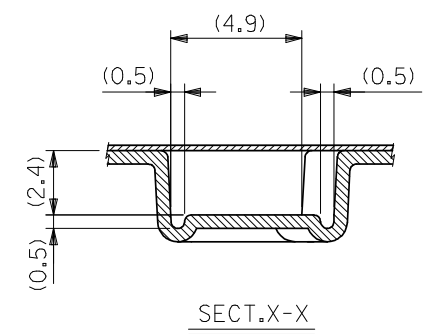
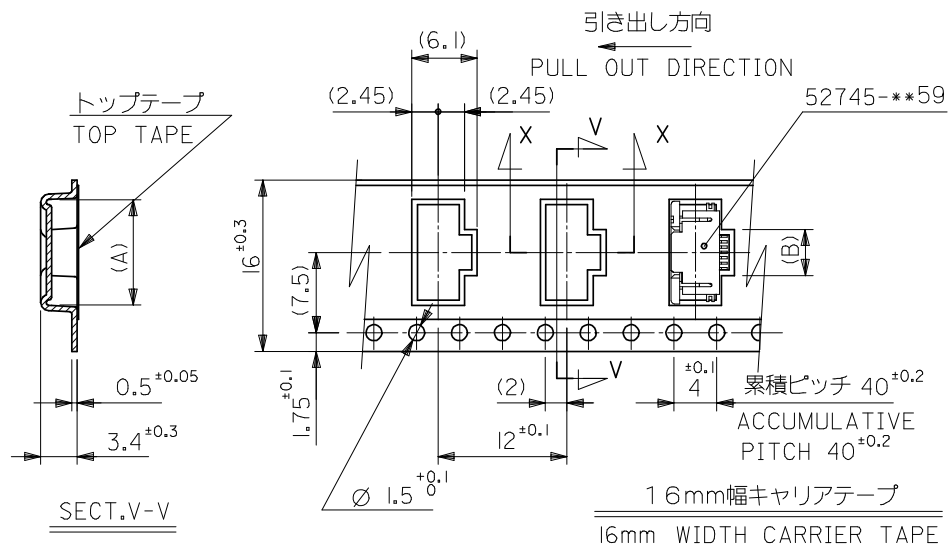


16.1	14.3	10.65	9.5	52745-2097	20
15.6	13.8	10.15	9	52745-1997	19
15.1	13.3	9.65	8.5	52745-1897	18
14.6	12.8	9.15	8	52745-1797	17
14.1	12.3	8.65	7.5	52745-1697	16
13.6	11.8	8.15	7	52745-1597	15
13.1	11.3	7.65	6.5	52745-1497	14
12.6	10.8	7.15	6	52745-1397	13
12.1	10.3	6.65	5.5	52745-1297	12
11.6	9.8	6.15	5	52745-1197	11
11.1	9.3	5.65	4.5	52745-1097	10
10.6	8.8	5.15	4	52745-0997	9
10.1	8.3	4.65	3.5	52745-0897	8
9.6	7.8	4.15	3	52745-0797	7
9.1	7.3	3.65	2.5	52745-0697	6
8.1	6.3	2.65	1.5	52745-0497	4
D	C	B	(A)	EMBOSSED PACKAGE ORDER No. オーダー番号	極数 CKT.

CONNECTOR SERIES NO. : 52745-\*\*59

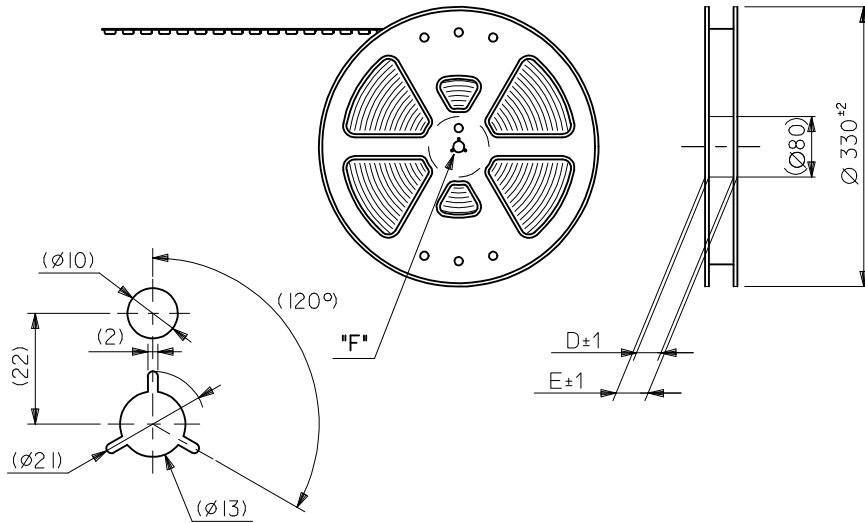
REVISED EC NO. J2011-0041 DRWN:HYOSHINO 2010/07/08 CHKD:HSHIMYAMA 2010/07/08 APPR:KMORIKAWA 2010/07/16	GENERAL TOLERANCES (UNLESS SPECIFIED)		DIMENSION STYLE <b>MM ONLY</b>		SCALE <b>10:1</b>	DESIGN UNITS <b>METRIC</b>	THIRD ANGLE PROJECTION		
	10 UNDER ±0.2 10 OVER 30 UNDER ±0.25 30 OVER ±0.3	ANGULAR ±3 ° DRAFT WHERE APPLICABLE MUST REMAIN WITHIN DIMENSIONS		DRAWN BY M. NABE I DATE '05/02/14	CHECKED BY K. TOJO DATE '05/02/14	TITLE <b>0.5 FPC CONN. ZIF FOR SMT R/A (UPPER CONTACT) GOLD PLATING</b>			
	APPROVED BY N. UKITA DATE '05/02/14		MATERIAL NO. <b>SEE TABLE</b>		MOLEX INCORPORATED		DOCUMENT NO. <b>SD-52745-050</b>		SHEET NO. 1 OF 2
	SIZE <b>A3</b>		THIS DRAWING CONTAINS INFORMATION THAT IS PROPRIETARY TO MOLEX INCORPORATED AND SHOULD NOT BE USED WITHOUT WRITTEN PERMISSION						



16	21.4	17.4	2.8	8.4	52745-0483	4
キャリアテープ幅 CARRIER TAPE WIDTH	E	D	(B)	(A)	MATERIAL NO.	極数 CIRCUIT

REVISED EC NO: J2008-4177 DRWN: ASUZUKI01 2008/06/12 CHK: HMATSUMOTO 2008/06/12 APPR: NUKITA 2008/06/13	52745-**-83	MODEL NO.	GENERAL TOLERANCES (UNLESS SPECIFIED)		DIMENSION STYLE MM ONLY		SCALE ---	DESIGN UNITS METRIC	THIRD ANGLE PROJECTION	
			10 UNDER	± ---	DRAWN BY M. NABEI	DATE '08/05/29	TITLE EMBOSSD TAPE PKG. FOR 52745-**-59 HIGH BARRIER PKG. MOLEX INCORPORATED			
			10 OVER 30 UNDER	± ---	CHECKED BY H. MATSUMOTO	DATE '08/05/29				
			30 OVER	± ---	APPROVED BY N. UKITA	DATE '08/05/29				
			ANGULAR	± --- °	MATERIAL NO. SEE TABLE		DOCUMENT NO. SD-52745-052		SHEET NO. 2 OF 3	
		DRAFT WHERE APPLICABLE MUST REMAIN WITHIN DIMENSIONS		THIS DRAWING CONTAINS INFORMATION THAT IS PROPRIETARY TO MOLEX INCORPORATED AND SHOULD NOT BE USED WITHOUT WRITTEN PERMISSION						

引き出し方向  
←  
PULL OUT  
DIRECTION



**DETAIL "F"**

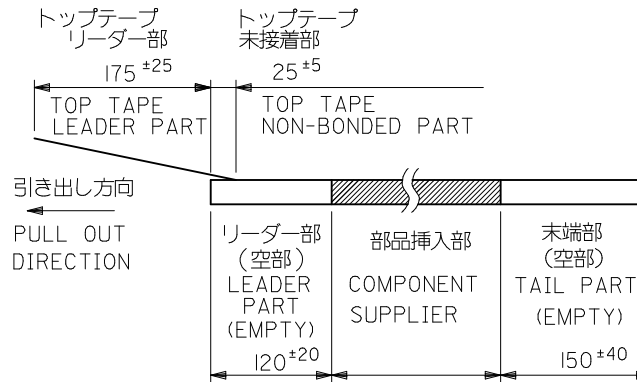
5. 材料 キャリアテープ: ポリプロピレン (PP)  
 トップテープ: PET, PE, PEF  
 リール: ポリスチレン (PS) <リサイクル材を含む>  
 MATERIAL CARRIER TAPE: POLYPROPYLENE  
 TOP TAPE: PET, PE, PEF  
 REEL: POLYSTYRENE (PS)  
 <RECYCLE MATERIAL CONTAINED>

6. 本製品は 52745- \*\*90 の鉛フリー品である。  
 THIS PRODUCT IS LEAD FREE OF 52745- \*\*90

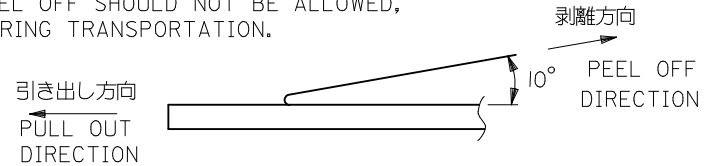
7. 本製品は乾燥剤入り、ハイバリア梱包仕様である。  
 THIS PRODUCT IS HIGH BARRIER PACKAGE WITH DESICCANT.

注記 NOTES

- 製品番号 52745- \*\*59 の梱包状態はアクチュエータがロックした状態とする。  
 詳細寸法については図面 SD-52745-050 を参照下さい。  
 IN THE PACKAGE, ACTUATOR OF PART NO. 52745- \*\*59 SHOULD BE LOCKED RE DETAILED DIMENSIONS, SEE SD-52745-050.
- 梱包数量: 1000個/リール  
 NUMBER OF CONNECTORS: 1000PCS/REEL
- リードテープ長さ LEAD TAPE LENGTH

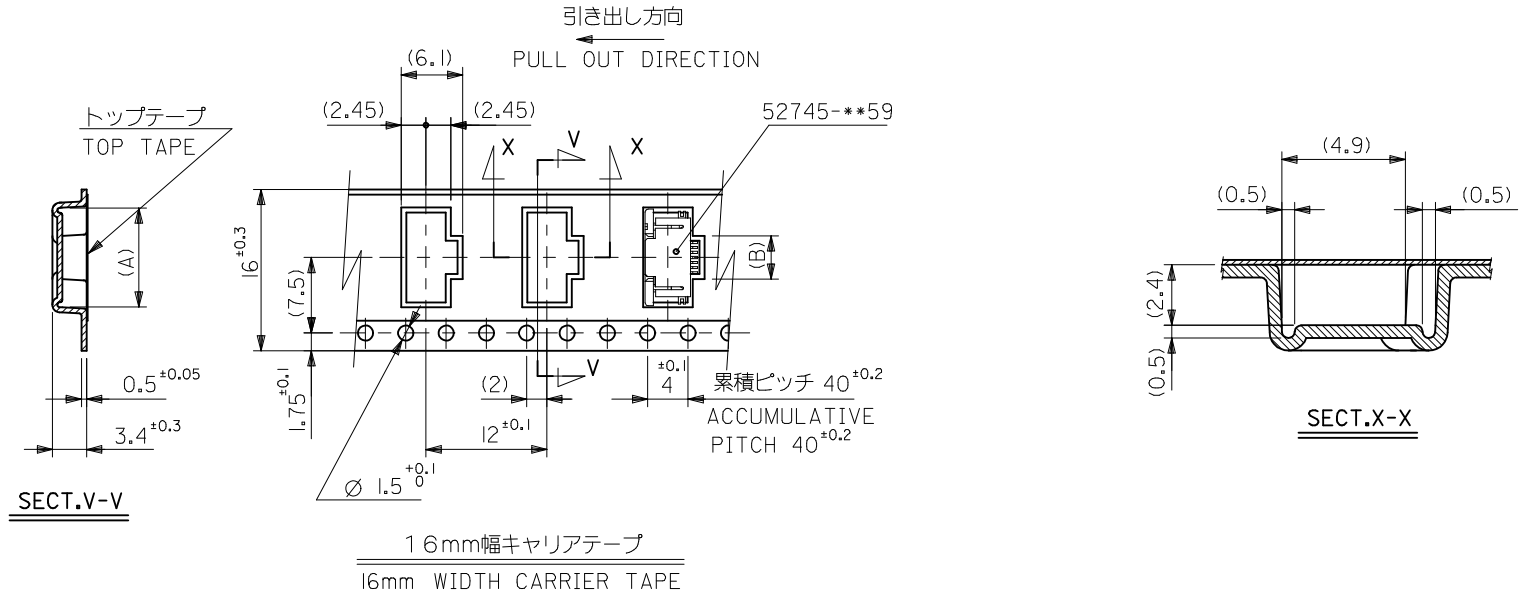


- トップテープの剥離強度: (剥離方向は下図参照)  
 0. 1N~1.3N (10gf~130gf) 尚、本規格値は、出荷時に適用。  
 (但し、輸送時に剥離が発生しない事。)  
 PEELING OFF FORCE OF TOP TAPE:  
 0. 1N~1.3N (10gf~130gf) (PEELING DIRECTION AS SHOWN IN FOLLOWING FIG.)  
 THIS REQUIREMENT SHOULD BE APPLIED AT SHIPMENT  
 PEEL OFF SHOULD NOT BE ALLOWED,  
 DURING TRANSPORTATION.



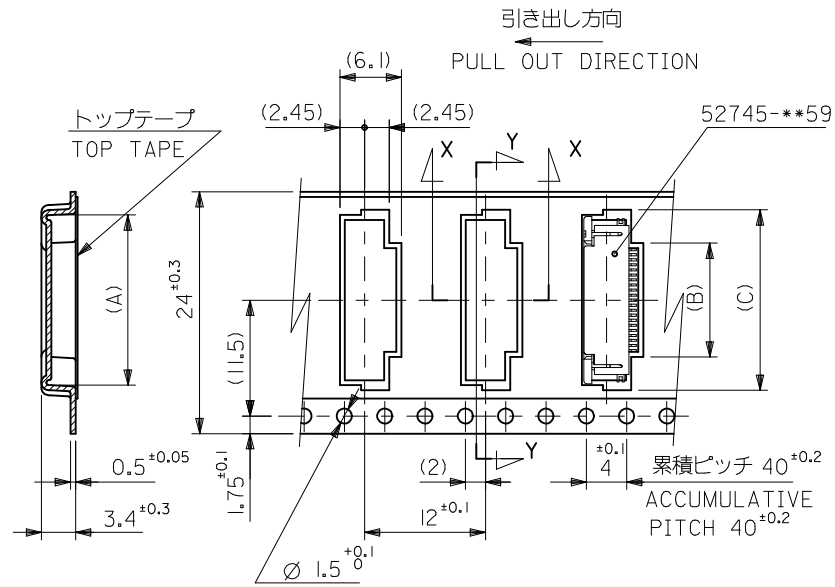
52745- \*\*97 MODEL NO.

REVISED EC NO: J2009-2061 DRWN:TKON 2009/05/20 CHKD:HMATSUMOTO 2009/05/21 APPR:NUKITA 2009/05/21	DESCRIPTION REV	GENERAL TOLERANCES (UNLESS SPECIFIED)		DIMENSION STYLE MM ONLY		SCALE ---	DESIGN UNITS METRIC	THIRD ANGLE PROJECTION	
		10 UNDER	±---	DRAWN BY M. NABEI	DATE '05/02/14	TITLE 0.5 FPC CONN UPR CONT EMBSTP PKG -LEAD FREE-			
		10 OVER 30 UNDER	±---	CHECKED BY K. TOJO	DATE '05/02/14	MOLEX INCORPORATED			
		30 OVER	±---	APPROVED BY N. UKITA	DATE '05/02/14	MATERIAL NO. SEE TABLE		DOCUMENT NO. SD-52745-051	SHEET NO. 1 OF 3
ANGULAR ±--- °		DRAFT WHERE APPLICABLE MUST REMAIN WITHIN DIMENSIONS		THIS DRAWING CONTAINS INFORMATION THAT IS PROPRIETARY TO MOLEX INCORPORATED AND SHOULD NOT BE USED WITHOUT WRITTEN PERMISSION					



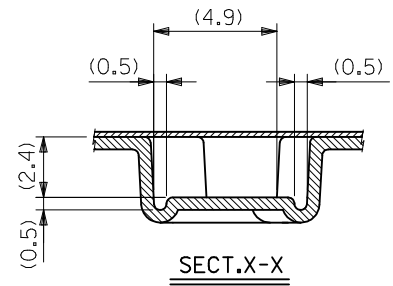
16	21.4	17.4	2.8	8.4	52745-0497	4
キャリアテープ幅 CARRIER TAPE WIDTH	E	D	(B)	(A)	MATERIAL NO.	極数 CIRCUIT

REVISED EC NO.: J2009-2061 DRWN:TKGN 2009/05/20 CHKD:HMATSUMOTO 2009/05/21 APPR:NUKITA 2009/05/21	DESCRIPTION	GENERAL TOLERANCES (UNLESS SPECIFIED)	DIMENSION STYLE MM ONLY	SCALE ---	DESIGN UNITS METRIC	THIRD ANGLE PROJECTION
	REV	10 UNDER ± ---	DRAWN BY M. NABEI	DATE '05/02/14	TITLE 0.5 FPC CONN UPR CONT EMBSTP PKG -LEAD FREE-	
		10 OVER 30 UNDER ± ---	CHECKED BY K. TOJO	DATE '05/02/14	APPROVED BY N. UKITA	
		30 OVER ± ---	APPROVED BY N. UKITA	DATE '05/02/14	MATERIAL NO. SEE TABLE	
		ANGULAR ± --- °	MATERIAL NO. SEE TABLE		DOCUMENT NO. SD-52745-051	
		DRAFT WHERE APPLICABLE MUST REMAIN WITHIN DIMENSIONS	SIZE A3		SHEET NO. 2 OF 3	



SECT.Y-Y

24mm幅キャリアテープ  
24mm WIDTH CARRIER TAPE



SECT.X-X

24	29.4	25.4	17.4	10.8	16.4	52745-2097	20
			16.9	10.3	15.9	-1997	19
			16.4	9.8	15.4	-1897	18
			15.9	9.3	14.9	-1797	17
			15.4	8.8	14.4	-1697	16
			14.9	8.3	13.9	-1597	15
			14.4	7.8	13.4	-1497	14
			13.9	7.3	12.9	-1397	13
			13.4	6.8	12.4	-1297	12
			12.9	6.3	11.9	-1197	11
			12.4	5.8	11.4	-1097	10
			11.9	5.3	10.9	-0997	9
			11.4	4.8	10.4	-0897	8
10.9	4.3	9.9	-0797	7			
10.4	3.8	9.4	52745-0697	6			
キャリアテープ幅 CARRIER TAPE WIDTH	E	D	(C)	(B)	(A)	MATERIAL NO.	極数 CIRCUIT

REVISED EC NO: J2009-2061 DRWN:TKON 2009/05/20 CHKD:HMATSUMOTO 2009/05/21 APPR:NUKITA 2009/05/21	GENERAL TOLERANCES (UNLESS SPECIFIED)		DIMENSION STYLE MM ONLY		SCALE ---	DESIGN UNITS METRIC	THIRD ANGLE PROJECTION
	10 UNDER	±---	DRAWN BY M. NABEI	DATE '05/02/14	TITLE 0.5 FPC CONN UPR CONT EMBSTP PKG -LEAD FREE-		
	10 OVER 30 UNDER	±---	CHECKED BY K. TOJO	DATE '05/02/14	MOLEX INCORPORATED		
	30 OVER	±---	APPROVED BY N. UKITA	DATE '05/02/14	MATERIAL NO. SEE TABLE	DOCUMENT NO. SD-52745-051	SHEET NO. 3 OF 3
	ANGULAR ±--- ° DRAFT WHERE APPLICABLE MUST REMAIN WITHIN DIMENSIONS		THIS DRAWING CONTAINS INFORMATION THAT IS PROPRIETARY TO MOLEX INCORPORATED AND SHOULD NOT BE USED WITHOUT WRITTEN PERMISSION				