

注記  
NOTES

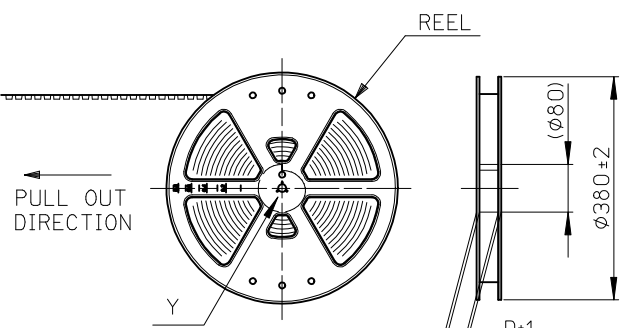
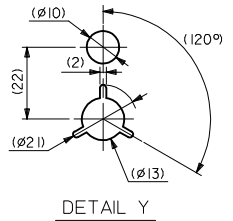
- 材質  
ウエハー: 耐熱性ナイロン  
ピン、フィッティングネール: 銅合金、ニッケル下地、錫メッキ  
MATERIAL  
WAFER: POLYAMIDE  
PIN, FINNTING NAIL: COPPER ALLOY, TIN OVER NICKEL PLATE.
- 色: ナチュラル  
COLOR: NATURAL
- 嵌合相手:  
ハウジング: 502351-\*\*00  
端子: 50212-8\*00, 50372-8\*00  
MATES WITH  
HOUSING: 502351-\*\*00  
TERMINAL: 50212-8\*00, 50372-8\*00
- エンボス梱包品の詳細はSD-560020-002参照  
DETAILED TAPING PACKAGE, SEE SD-560020-002
- ELV及びRoHS適合  
ELV AND RoHS COMPLIANT

|      |      |      |      |                            |      |
|------|------|------|------|----------------------------|------|
| 11.8 | 15.1 | 19.7 | 22.6 | 560020-0800                | 8    |
| 11.8 | 13.1 | 17.7 | 20.6 | 560020-0700                | 7    |
| 11.8 | 12   | 15.7 | 18.6 | 560020-0600                | 6    |
| 9.8  | 10   | 13.7 | 16.6 | 560020-0500                | 5    |
| 7.8  | 8    | 11.7 | 14.6 | 560020-0400                | 4    |
| 5.8  | 6    | 9.7  | 12.6 | 560020-0300                | 3    |
|      |      | 8.0  | 10.9 | 560020-0200                | 2    |
| D    | C    | B    | A    | EMBOSSED PACKAGE ORDER NO. | CKTS |

CONNECTOR SERIES NO. 560020-\*\*08

|  |             |  |   |                 |       |              |   |
|--|-------------|--|---|-----------------|-------|--------------|---|
| REVISED<br>EC NO. JTR2013-0034<br>DRWN: YAMAKI 2013/01/23<br>CHKD: KOMATSU 2013/01/23<br>APPR: MAYAMOTO 2013/01/23 | DESCRIPTION | GENERAL TOLERANCES (UNLESS SPECIFIED)                |   | DIMENSION STYLE | SCALE | DESIGN UNITS | THIRD ANGLE PROJECTION  |
|  |             | 10 UNDER   | ±0.2  | MM ONLY         | 5:1   | METRIC       | TITLE<br>2.0MM PITCH W/B CONN.<br>WAFER ASSY<br>ST. SMT<br><b>molex</b><br>DOCUMENT NO.<br>SD-560020-001<br>SHEET NO.<br>1 OF 1 |
|  |             | 10 OVER 30 UNDER                                     | ±0.25   | DRAWN BY        | DATE  | TITLE        |   |
|  |             | 30 OVER  | ±0.3  | CHECKED BY      | DATE  |              |   |
| ANGULAR  | ±1 °        | APPROVED BY  | DATE  |                 |       |              |   |
|  |             | DRAFT WHERE APPLICABLE MUST REMAIN WITHIN DIMENSIONS |   | SEE CHART       |       |              |   |
| B  | REV         | SIZE   | THIS DRAWING CONTAINS INFORMATION THAT IS PROPRIETARY TO MOLEX INCORPORATED AND SHOULD NOT BE USED WITHOUT WRITTEN PERMISSION |                 |       |              |   |

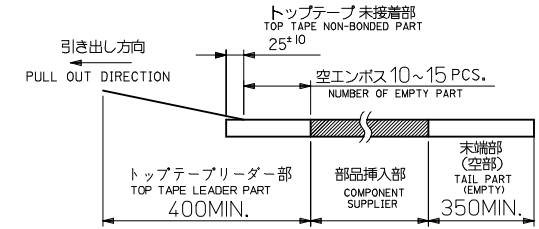
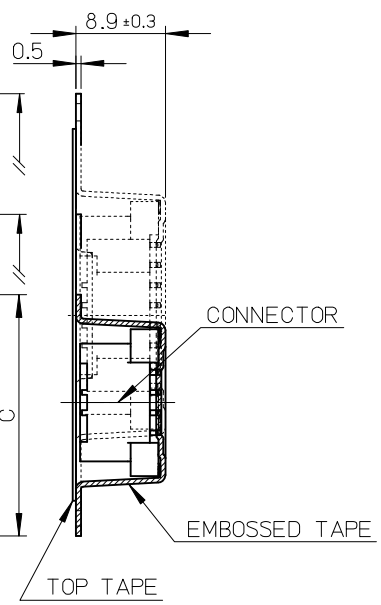
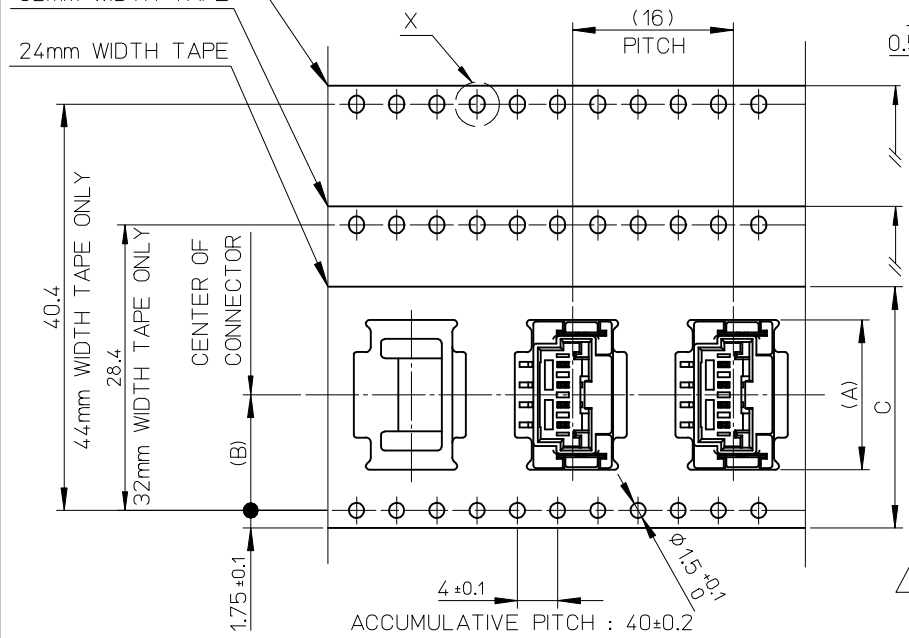
10 9 8 7 6 5 4 3 2 1



NOTES

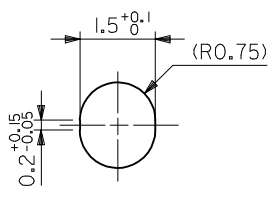
- 製品番号: 560020-\*\*00 詳細寸法については、製品単体図面を参照ください。  
PART NO. 5600020-\*\*00 SEE SALES DRAWING FOR CONNECTOR
- 梱包数量: 650個/REEL  
NUMBER OF CONNECTORS 650 PCS/REEL
- リードテープ長さ  
LEAD TAPE LENGTH

44mm WIDTH TAPE  
32mm WIDTH TAPE  
24mm WIDTH TAPE



4. 材料  
MATERIAL  
キャリアテープ: ポリスチレン  
CARRIER TAPE: POLYSTYRENE  
トップテープ: PET, PE, PEF  
TOP TAPE  
リール: ポリスチレン  
REEL: POLYSTYRENE

|      |      |    |      |      |                                 |          |
|------|------|----|------|------|---------------------------------|----------|
| 49.4 | 45.4 | 44 | 20.2 | 22.9 | 560020-0800                     | 08       |
|      |      |    |      | 20.9 | 560020-0700                     | 07       |
| 37.4 | 33.4 | 32 | 14.2 | 18.9 | 560020-0600                     | 06       |
|      |      |    |      | 16.9 | 560020-0500                     | 05       |
|      |      |    |      | 14.9 | 560020-0400                     | 04       |
| 29.4 | 25.4 | 24 | 11.5 | 12.9 | 560020-0300                     | 03       |
|      |      |    |      | 11.2 | 560020-0200                     | 02       |
| E    | D    | C  | (B)  | (A)  | エンボス梱包品<br>製品番号<br>MATERIAL NO. | CIRCUITS |



PULL OUT DIRECTION  
DIRECTION OF CONNECTOR  
IN EMBOSSSED TAPE

|  |  |                           |                               |                     |  |                        |                           |
|--|--|---------------------------|-------------------------------|---------------------|--|------------------------|---------------------------|
| REVISED<br>EC NO: JTR2013-0034<br>DRWN:YTAMAKI 2012/12/27<br>CHKD:HKOMATSU 2013/01/18<br>APPR: MAYAMAMOTO 2013/01/23 | GENERAL TOLERANCES<br>(UNLESS SPECIFIED)                                   |                           | DIMENSION STYLE<br>MM ONLY    |                     | SCALE<br>2:1   | DESIGN UNITS<br>METRIC | THIRD ANGLE<br>PROJECTION |
|  | 10 UNDER   | ± 0.2                     | DRAWN BY<br>YTAMAKI           | DATE<br>2012/02/29  | TITLE<br>2.0MM PITCH W/B ST.<br>WAFER ASSY<br>EMBOSSSED TAPE PACKAGE   |                        |                           |
|  | 10 OVER 30 UNDER   | ± 0.25                    | CHECKED BY<br>HKOMATSU        | DATE<br>2012/02/29  |  |                        |                           |
|  | 30 OVER  | ± 0.3                     | APPROVED BY<br>MAYAMAMOTO     | DATE<br>2012/03/01  |  |                        |                           |
| A  | ANGULAR ±1 °<br>DRAFT WHERE APPLICABLE<br>MUST REMAIN<br>WITHIN DIMENSIONS | MATERIAL NO.<br>SEE CHART | DOCUMENT NO.<br>SD-560020-002 | SHEET NO.<br>1 OF 1 | THIS DRAWING CONTAINS INFORMATION THAT IS PROPRIETARY TO MOLEX<br>INCORPORATED AND SHOULD NOT BE USED WITHOUT WRITTEN PERMISSION |                        |                           |

9 8 7 6 5 4 3 2