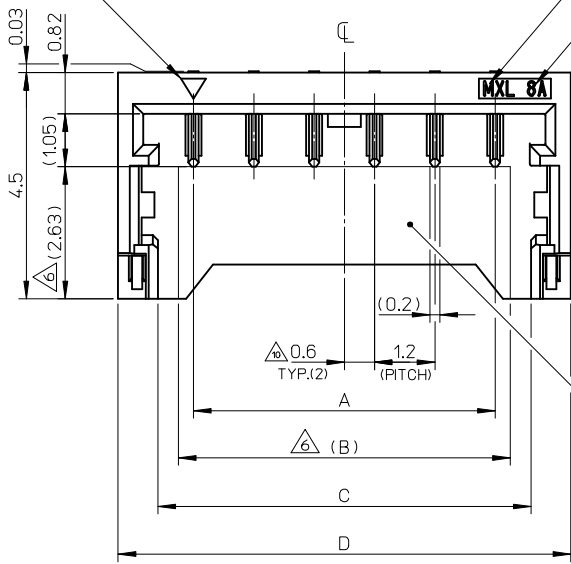
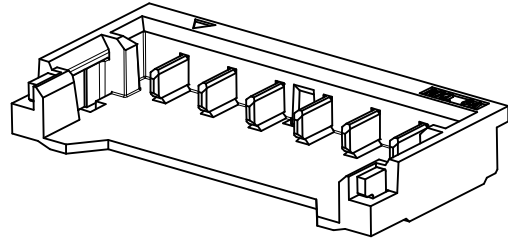


CKT No.1



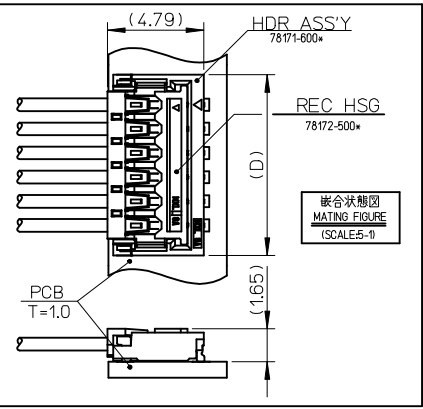
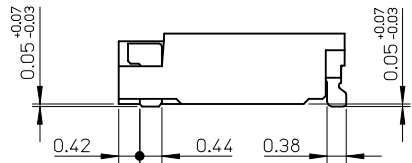
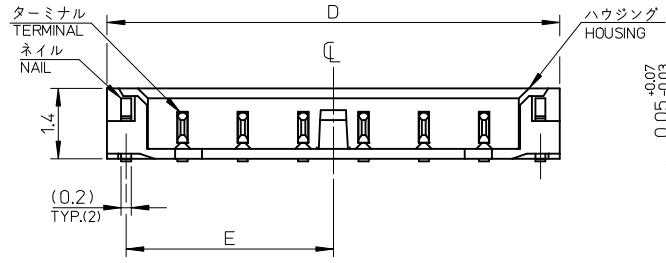
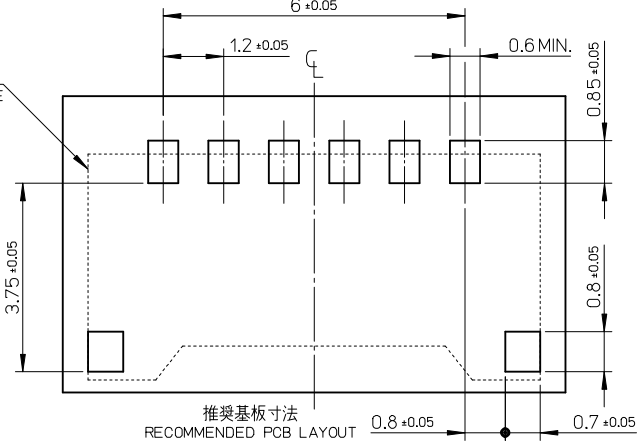
トレードマーク  
TRADE MARK  
キャビ番号  
CAV No.



吸着推奨エリア  
RECOMMENDED CHIPMOUNTER  
VACUUM NOZZLE AREA

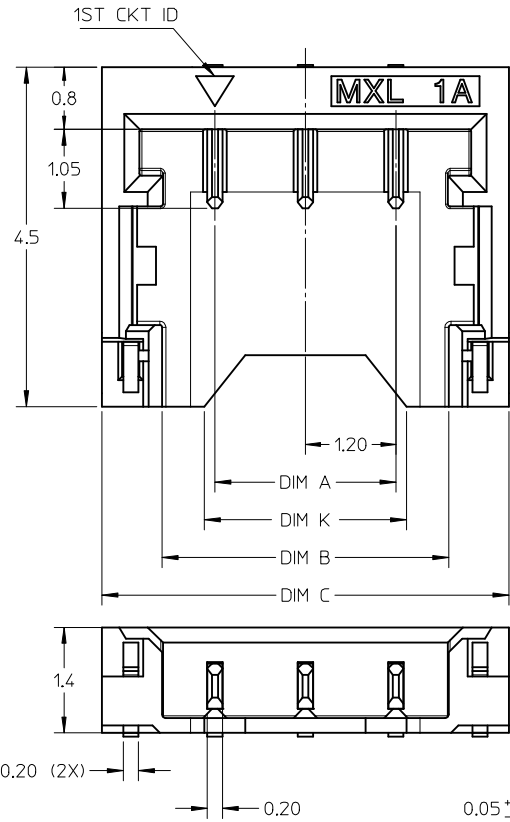
- 注記: 1. 材質 ハウジング: PA46, UL94V-0色: 黒  
NOTES. MATERIALS HOUSING: PA46, UL94V-0, COLOUR:BLACK
- ターミナル: 銅合金  
TERMINAL: COPPER ALLOY  
ネイル: 銅合金  
FITTING NAIL: COPPER ALLOY
2. メッキ仕様 ターミナル: 金メッキ0.1μmMIN, ニッケル下地メッキ1.0μm MIN  
FINISHES TERMINAL:GOLD 0.1μmMIN. WITH 1.0μm MIN NICKEL UNDERPLATE OVERALL  
ネイル: 錫メッキ 1.5 μm MIN ニッケル下地メッキ1.0 μm MIN  
FITTING NAIL:1.5μm MIN TIN WITH 1.0μm MIN NICKEL UNDERPLATE OVERALL
3. 嵌合相手: 78172-500\*  
MATING WITH: ↑極数 No. CIRCUIT No.
4. 梱包形態: エンボスリール梱包 (詳細はSD-78171-001 を参照願います)  
PACKAGING SPECIFICATION:EMBOSSED TAPE(REFER TO SD-78171-001)
- △ 製品番号は右記の内容を示す: 78171-600\*  
PRODUCT NUMBER INDICATES FOLLOWING ↑極数 No. CIRCUIT No.
- △ 吸着推奨エリアを示す  
SHOWS VACUUM NOZZLE AREA.
7. ソルダータールとネイルの平坦度: 0.10 mm MAX  
SOLDER TAIL AND FITTING NAIL COPLANARITY 0.1mm MAX.
8. ELV及びRoHS 適合品  
ELV AND RoHS COMPLIANT.
9. 製品の取扱いについては取扱説明書"AS-78172-001"を参照願います  
REFER TO INSTRUCTION MANUAL"AS-78172-001"
- △ 偶数極の製品に適用  
APPLY EVEN CIRCUIT PRODUCTS

コネクタ外形図  
CONNECTOR OUTLINE

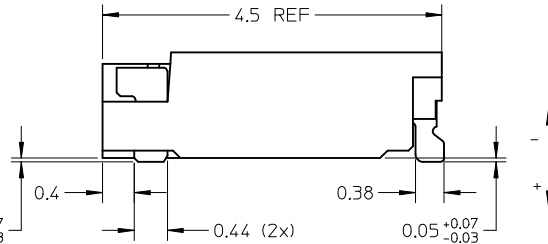


7.2	7.8	8.62	10.2	4.72	7	78171-5007	78171-6007	78171-600*
6	6.6	7.42	9	4.12	6	78171-5006	78171-6006	
A	B	C	D	E	CKT	PACKING FORM: EMBOSSED TAPE		
						ORDER No.	MATERIAL NO.	MODEL NO.

REVISED EC NO: J2014-0305 DRWN:YAKE 2013/05/15 CHKD:KASAKAWA 2013/05/15 APPR:NUKITA 2013/08/20	DESCRIPTION	GENERAL TOLERANCES (UNLESS SPECIFIED)		DIMENSION STYLE		SCALE	DESIGN UNITS	THIRD ANGLE PROJECTION	
				MM ONLY		10:1	METRIC		
		10 UNDER	±0.2	DRAWN BY	DATE	TITLE			
		10 OVER 30 UNDER	±0.25	T.ODA	08/06/20	1.2W/B CONN. HDR ASS'Y			
		30 OVER	±0.3	CHECKED BY	DATE				
ANGULAR ±3 °		APPROVED BY	DATE	2010/10/25		molex			
DRAFT WHERE APPLICABLE MUST REMAIN WITHIN DIMENSIONS		NUKITA			MATERIAL NO.				DOCUMENT NO.
		SEE CHART		THIS DRAWING CONTAINS INFORMATION THAT IS PROPRIETARY TO MOLEX INCORPORATED AND SHOULD NOT BE USED WITHOUT WRITTEN PERMISSION		SD-78171-002		1 OF 1	

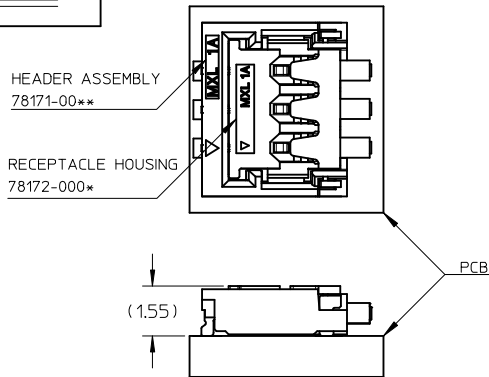


- NOTES:
- MATERIALS:  
HOUSING: LCP, UL94V-0, COLOUR : BLACK  
TERMINAL: COPPER ALLOY  
FITTING NAIL: COPPER ALLOY
  - FINISHES:  
TERMINAL : GOLD 0.14µm MIN. WITH 1.0 UM MIN NICKEL UNDERPLATE OVERALL  
FITTING NAIL : 1.5 UM MIN TIN WITH 1.0UM MIN NICKEL UNDERPLATE OVERALL.
  - PRODUCT SPECIFICATION: PS-78171-010
  - PACKAGING SPECIFICATION: TAPE & REEL PACKAGING
  - MATES WITH MOLEX PART NUMBER 78172-00\*\*
  - 3 CIRCUITS IS SHOWN FOR ILLUSTRATION PURPOSE ONLY
  - SOLDERTAIL AND FITTING NAIL COPLANARITY : 0.10 MM MAX TO BE MEASURED BY PLACING THE CONNECTOR ON A FLAT GAUGED SURFACE.
  - ELV & RoHS COMPLIANT.



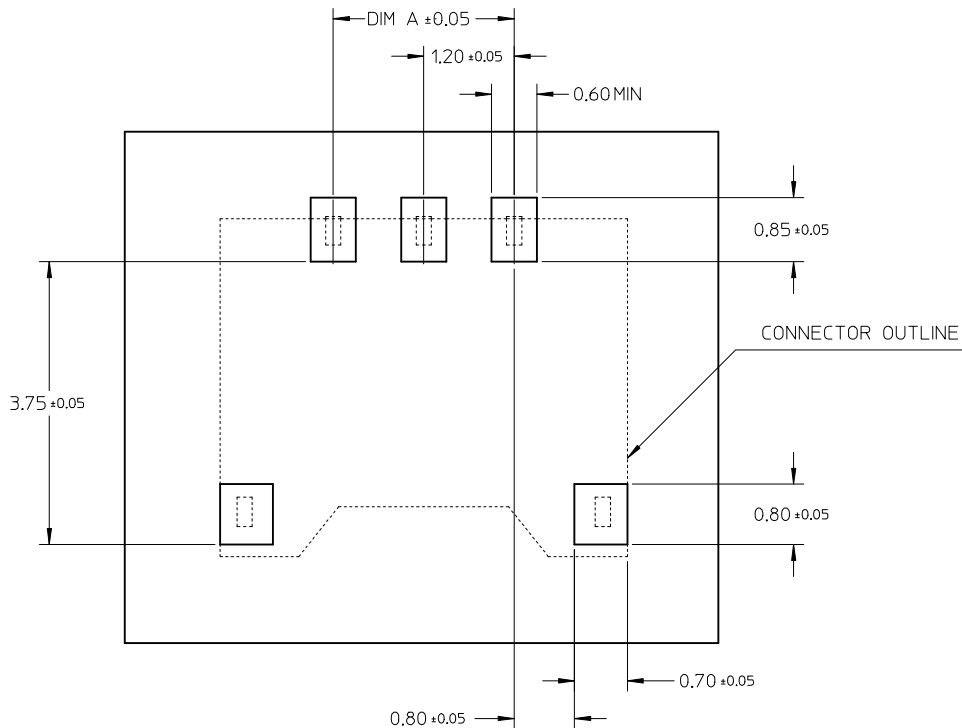
CKT SIZE	PART NUMBER	DIM A	DIM B	DIM C	DIM K
2	78171-0002	1.2	2.6	4.2	1.5
3	78171-0003	2.4	3.8	5.4	2.7
4	78171-0004	3.6	5.0	6.6	3.9
5	78171-0005	4.8	6.2	7.8	5.1

MATING VIEW

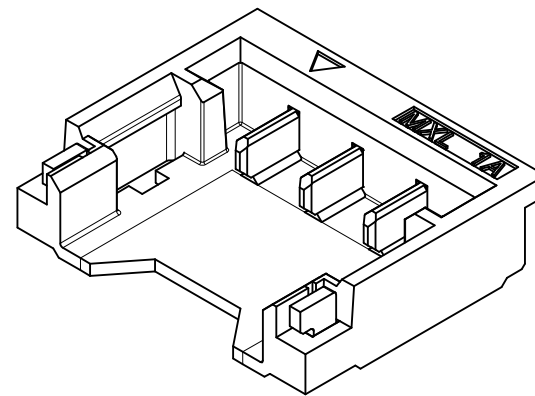


REVISED EC NO: J2013-0147 DRWN: TODA 2012/07/10 CHKD: KASAKAWA 2012/07/10 APPR: YOKITO 2012/11/06	GENERAL TOLERANCES (UNLESS SPECIFIED)		DIMENSION STYLE <b>MM ONLY</b>		SCALE ---	DESIGN UNITS <b>METRIC</b>	THIRD ANGLE PROJECTION
	10 UNDER ±0.2	10 OVER 30 UNDER ±0.25	DRAWN BY CWLAM	DATE 2007/10/25	TITLE 1.20MM PITCH, W-T-B PLUG CONNECTOR		
	30 OVER ±0.3	ANGULAR ±3 °	CHECKED BY KSSHANTHA	DATE 2007/12/07	APPROVED BY NUKITA		DATE 2010/10/25
	DRAFT WHERE APPLICABLE MUST REMAIN WITHIN DIMENSIONS		MATERIAL NO. <b>SEE CHART</b>		DOCUMENT NO. SD-78171-008	SHEET NO. 1 OF 3	

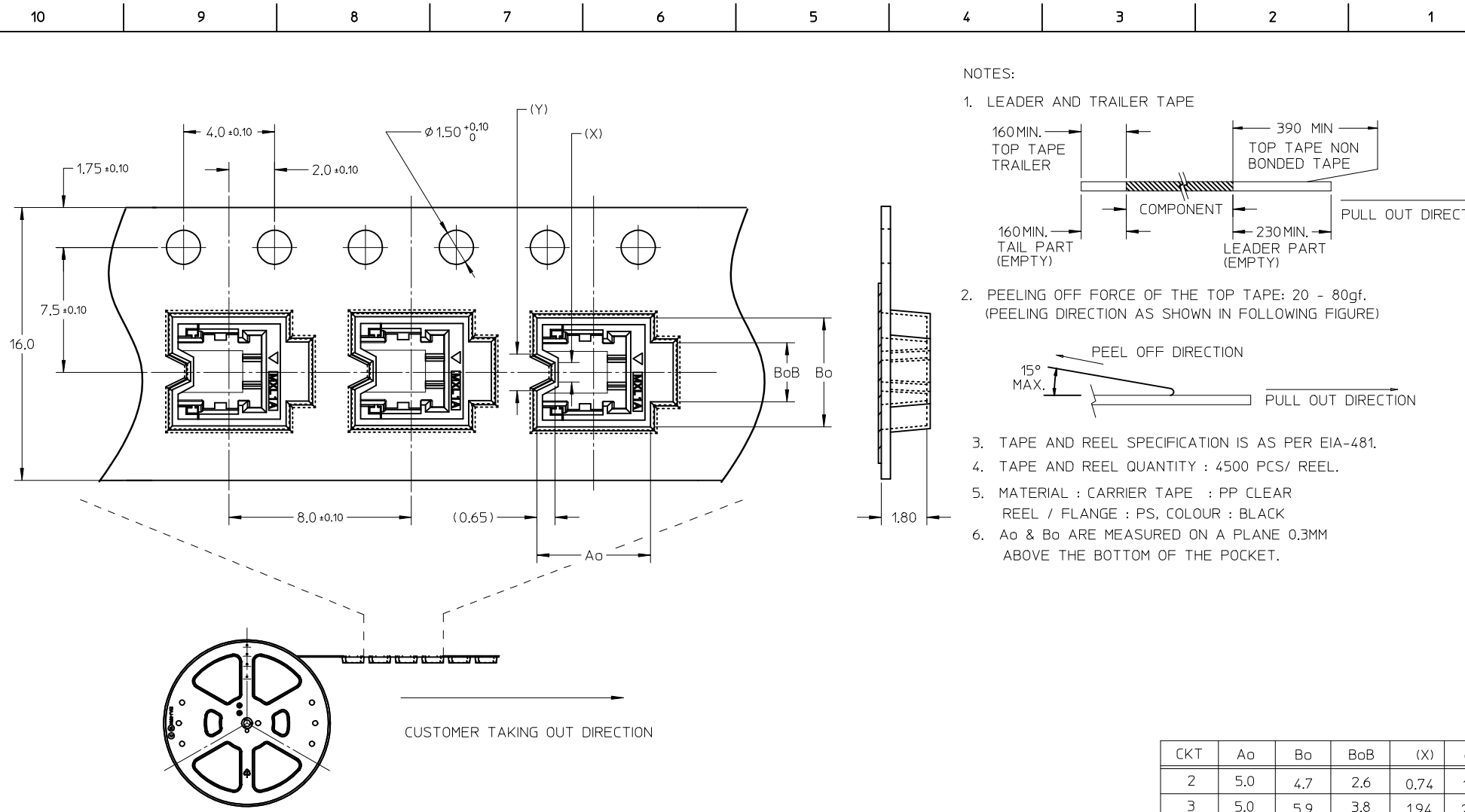
THIS DRAWING CONTAINS INFORMATION THAT IS PROPRIETARY TO MOLEX INCORPORATED AND SHOULD NOT BE USED WITHOUT WRITTEN PERMISSION



RECOMMENDED PCB LAYOUT



SEE SHEET 1 EC NO: J2013-0147 2012/07/10 DRWN: TODA 2012/07/10 CHKD: KASAKAWA 2012/11/06 APPR: Y01 TO	GENERAL TOLERANCES (UNLESS SPECIFIED)		DIMENSION STYLE <b>MM ONLY</b>	SCALE ---	DESIGN UNITS <b>METRIC</b>	THIRD ANGLE PROJECTION
	10 UNDER	±0.2	DRAWN BY CWLAM	DATE 2007/10/25	TITLE 1.20MM PITCH, W-T-B PLUG CONNECTOR	
	10 OVER 30 UNDER	±0.25	CHECKED BY KSSHANTHA	DATE 2007/12/07		
	30 OVER	±0.3	APPROVED BY NUKITA	DATE 2010/10/25		
ANGULAR ±3 °	DRAFT WHERE APPLICABLE MUST REMAIN WITHIN DIMENSIONS	MATERIAL NO. <b>SEE SHEET 1</b>	DOCUMENT NO. SD-78171-008	SHEET NO. 2 OF 3		
		SIZE <b>A3</b>	THIS DRAWING CONTAINS INFORMATION THAT IS PROPRIETARY TO MOLEX INCORPORATED AND SHOULD NOT BE USED WITHOUT WRITTEN PERMISSION			

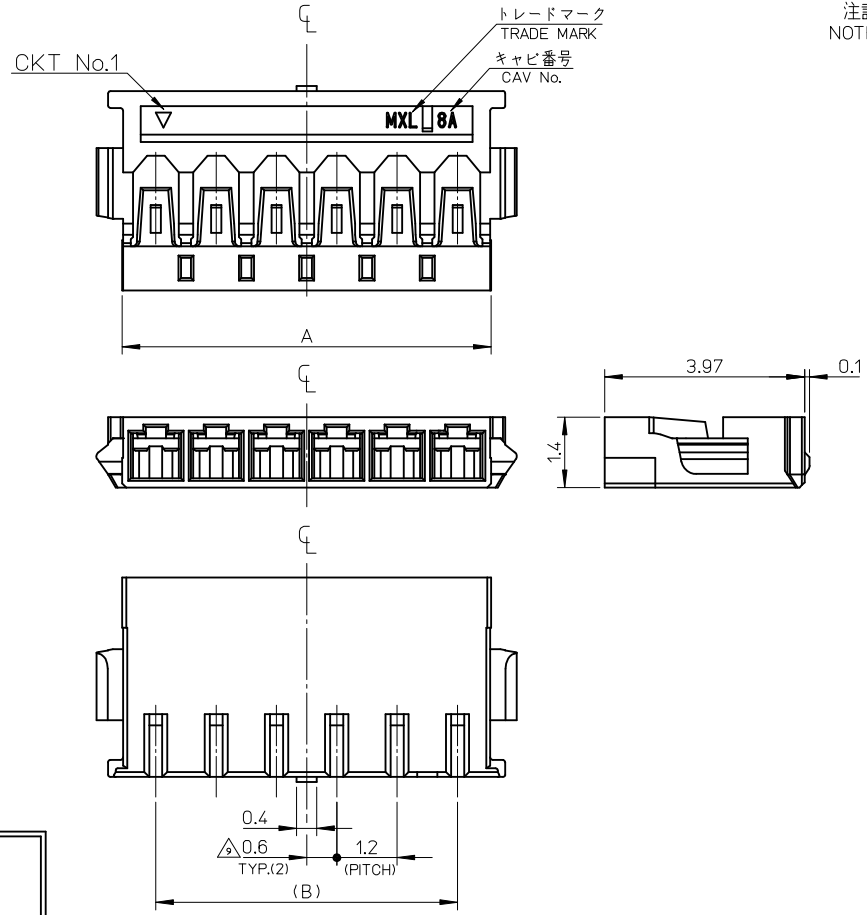
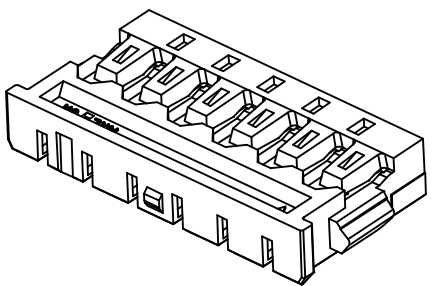


NOTES:

- LEADER AND TRAILER TAPE
- PEELING OFF FORCE OF THE TOP TAPE: 20 - 80gf.  
 (PEELING DIRECTION AS SHOWN IN FOLLOWING FIGURE)
- TAPE AND REEL SPECIFICATION IS AS PER EIA-481.
- TAPE AND REEL QUANTITY : 4500 PCS/ REEL.
- MATERIAL : CARRIER TAPE : PP CLEAR  
 REEL / FLANGE : PS, COLOUR : BLACK
- Ao & Bo ARE MEASURED ON A PLANE 0.3MM ABOVE THE BOTTOM OF THE POCKET.

CKT	Ao	Bo	BoB	(X)	(Y)
2	5.0	4.7	2.6	0.74	1.54
3	5.0	5.9	3.8	1.94	2.74
4	5.0	7.1	5.0	3.14	3.94
5	5.0	8.3	6.2	4.34	5.14

SEE SHEET 1 EC NO: J2013-0147 DRWN: TODA CHKD: KASAKAWA APPR: YOITTO	2012/07/10 2012/07/10 2012/11/06	GENERAL TOLERANCES (UNLESS SPECIFIED)		DIMENSION STYLE	SCALE	DESIGN UNITS	THIRD ANGLE PROJECTION  <b>1.20MM PITCH, W-T-B PLUG CONNECTOR</b>  <b>molex</b> MATERIAL NO. SEE SHEET 1 DOCUMENT NO. SD-78171-008 SHEET NO. 3 OF 3
		10 UNDER	± 0.2	MM ONLY	---	METRIC	
		10 OVER 30 UNDER	± 0.25	DRAWN BY	DATE	TITLE	
		30 OVER	± 0.3	CWLAM	2007/10/25		
ANGULAR ± 3 °		CHECKED BY	DATE				
DRAFT WHERE APPLICABLE MUST REMAIN WITHIN DIMENSIONS		KSSHANTHA	2007/12/07				
		APPROVED BY	DATE				
		NUKITA	2010/10/25				
		MATERIAL NO.		DOCUMENT NO.			
		SEE SHEET 1		SD-78171-008			
		THIS DRAWING CONTAINS INFORMATION THAT IS PROPRIETARY TO MOLEX INCORPORATED AND SHOULD NOT BE USED WITHOUT WRITTEN PERMISSION					

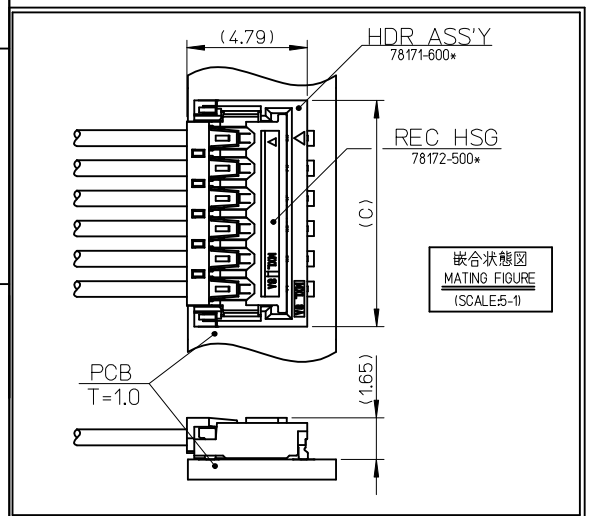


- 注記 NOTES.
- 材質 HOUSING: PA46, UL94V-0, 色: 黒 MATERIALS HOUSING: PA46, UL94V-0, COLOUR: BLACK
  - 適合ターミナル: 78172-041\* APPLICABLE TERMINAL: 78172-041\*
  - 嵌合相手: 78171-500\* MATES WITH  
↑極数 No. / CIRCUIT No.
  - 梱包形態: 袋詰め梱包 PACKAGING SPECIFICATION: PLASTIC BAG PACKAGING
  - 製品番号は右記の内容を示す: 78172-500\* PRODUCT NUMBER INDICATES FOLLOWING  
↑極数 No. / CIRCUIT No.
  - ELV 及び RoHS 適合品 ELV AND RoHS COMPLIANT
  - 参考として本製品評価時に使用の電線仕様を以下に示します。  
THE ELECTRIC WIRE SPECIFICATION USED AS REFERENCE AT THE TIME OF THIS PRODUCT EVALUATION IS SHOWN BELOW.

※製品評価時使用電線

UL 3302 電線 UL STYLE 3302				
電線サイズ WIRE SIZE	導体仕様 CONDUCTOR SPEC.	導体構成 STRANDING (No./mm)	導体外径 CONDUCTOR DIA. (mm)	絶縁体外径 INSULATION DIA. (mm)
AWG# 30	錫メッキ軟銅線 TINNED ANNEALED COPPER	7/0.10	0.30	0.70
UL 3302 電線 UL STYLE 3302				
電線サイズ WIRE SIZE	導体仕様 CONDUCTOR SPEC.	導体構成 STRANDING (No./mm)	導体外径 CONDUCTOR DIA. (mm)	絶縁体外径 INSULATION DIA. (mm)
AWG# 28	錫メッキ軟銅線 TINNED ANNEALED COPPER	7/0.127	0.38	0.6

- 製品の取扱いについては取扱説明書"AS-78172-001"を参照願います。  
REFER TO INSTRUCTION MANUAL "AS-78172-001"
- 偶数極の製品に適用  
APPLY EVEN CIRCUIT PRODUCTS.



8.54	7.2	10.2	7	78172-5007	78172-500*
7.34	6	9	6	78172-5006	
A	B	C	CKT	MATERIAL NO.	MODEL NO.

REVISED REV D	DESCRIPTION EC NO: J2014-0305 DRWN: YMAKE 2013/05/15 CHKD: KASAKAWA 2013/05/15 APPR: NUK ITA ZONBKO@MO	GENERAL TOLERANCES (UNLESS SPECIFIED)		DIMENSION STYLE MM ONLY		SCALE 10:1	DESIGN UNITS METRIC	THIRD ANGLE PROJECTION	
		10 UNDER	±0.2	DRAWN BY T. ODA	DATE 08/06/16	TITLE 1.2W/B CONN REC CRIMP HSG			
		10 OVER 30 UNDER	±0.25	CHECKED BY SA. SATO	DATE 08/06/16	DOCUMENT NO. SD-78172-001			
		30 OVER	±0.3	APPROVED BY S. ICHIKAWA	DATE 08/06/16				
		ANGULAR ±1 °		DRAFT WHERE APPLICABLE MUST REMAIN WITHIN DIMENSIONS		MATERIAL NO.		SHEET NO. 1 OF 1	
SIZE A3		THIS DRAWING CONTAINS INFORMATION THAT IS PROPRIETARY TO MOLEX INCORPORATED AND SHOULD NOT BE USED WITHOUT WRITTEN PERMISSION							