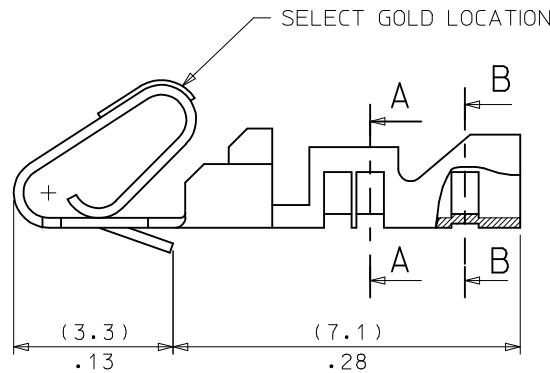
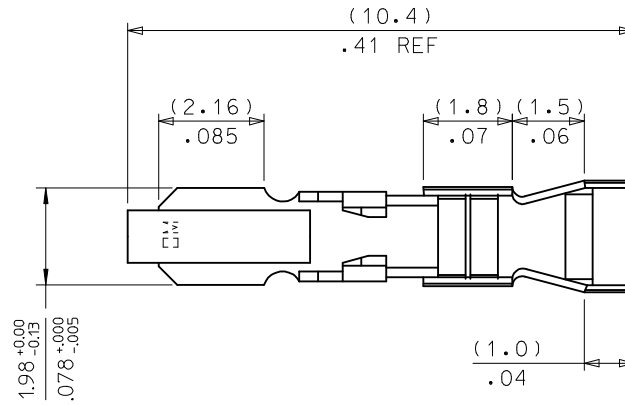
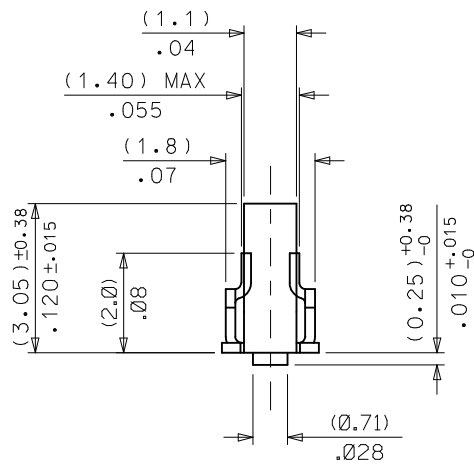


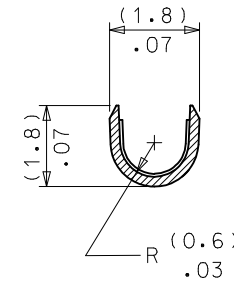
TOP FEEDING REEL WINDING DIRECTION



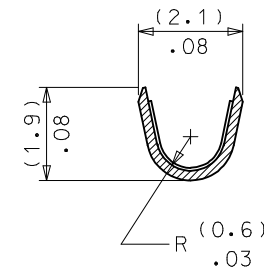
PART No.	ENG No.	FORM	FINISH
08-65-0105	8088-(555)	CHAIN	555
08-65-0106	8088-(555)L	LOOSE	

LEGEND

8088-(***)*
 PLATING CODE ——— BLANK = CHAIN FORM, TOP FEEDING REEL
 L = LOOSE FORM



A-A



B-B

NOTES:

1. MATERIAL: PHOS. BRONZE
2. FINISH:
555 = 0.00038/.000015 MIN. SELECT GOLD IN CONTACT AREA OVER (0.00076)/.000030 MIN. NICKEL OVERALL
3. PRODUCT SPECIFICATION: PS-99020-0088.
4. FOR 22-30 AWG WIRE: (1.57)/.062 DIA MAX INSULATION
5. THIS PART CONFORMS TO CLASS B REQUIREMENTS OF MOLEX COSMETIC SPECIFICATION PS-45499-002.

CUT-OFF TOLERANCE EC NO: UCP2013-5579 DRAWN: KIPPER 2013/06/27 CHKD: BELL 2013/06/27 APPR: F SMITH 2013/07/16	QUALITY SYMBOLS ▽Z=0 ▽E=0 ▽E=0	GENERAL TOLERANCES (UNLESS SPECIFIED)		DIMENSION STYLE		SCALE	DESIGN UNITS	THIRD ANGLE PROJECTION			
		mm	INCH	MM/IN	10:1	METRIC					
		4 PLACES ± --- ± ---	3 PLACES ± --- ± .010	2 PLACES ± 0.25 ± .020	1 PLACE ± 0.51 ± ---	0 PLACE ± ±	ANGULAR ± 1/2°	DRAWN BY DATE T. MAHON 1998/10/26		TITLE KK (2.54)/.100 ANTI-FISH HOOKING TERMINAL 22-30 AWG	
		DRAFT WHERE APPLICABLE MUST REMAIN WITHIN DIMENSIONS		MATERIAL NO.		DOCUMENT NO.		SHEET NO.			
SEE CHART		SD-8088-****		1 OF 1		THIS DRAWING CONTAINS INFORMATION THAT IS PROPRIETARY TO MOLEX INCORPORATED AND SHOULD NOT BE USED WITHOUT WRITTEN PERMISSION					