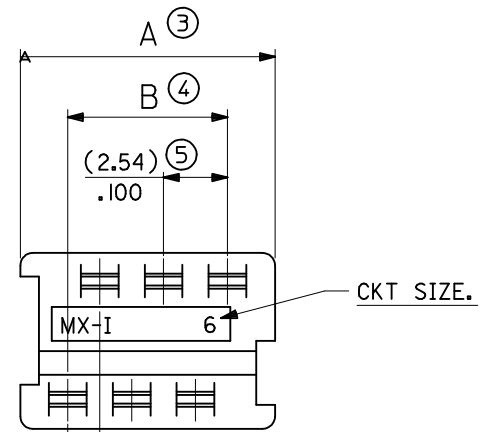


90584	-**26	26	(35.53)/1.399	(31.75)/1.250	(30.48)/1.200
	-**24	24	(32.99)/1.299	(29.21)/1.150	(27.94)/1.100
	-**22	22	(30.45)/1.199	(26.67)/1.050	(25.40)/1.000
	-**20	20	(27.91)/1.099	(24.13)/.950	(22.86)/.900
	-**18	18	(25.37)/.999	(21.59)/.850	(20.32)/.800
	-**16	16	(22.83)/.899	(19.05)/.750	(17.78)/.700
	-**14	14	(20.29)/.799	(16.51)/.650	(15.24)/.600
	-**12	12	(17.75)/.699	(13.97)/.550	(12.70)/.500
	-**10	10	(15.21)/.599	(11.43)/.450	(10.16)/.400
	-**08	8	(12.67)/.499	(8.89)/.350	(7.62)/.300
	-**06	6	(10.13)/.399	(6.35)/.250	(5.08)/.200
90584	-**04	4	(7.59)/.299	(3.81)/.150	(2.54)/.100
PART NO.	CCT SIZE		DIMENSION A	DIMENSION B	DIMENSION C



HOUSING

MATL. POLYESTER, RATED UL 94V-0, COLOUR WHITE.

IDT CONTACT

MATL : PHOSPHOR BRONZE (0.28)/.011 REF THICK.
 PLATING : (2-4um) / 80-160u" TIN

NOTES:

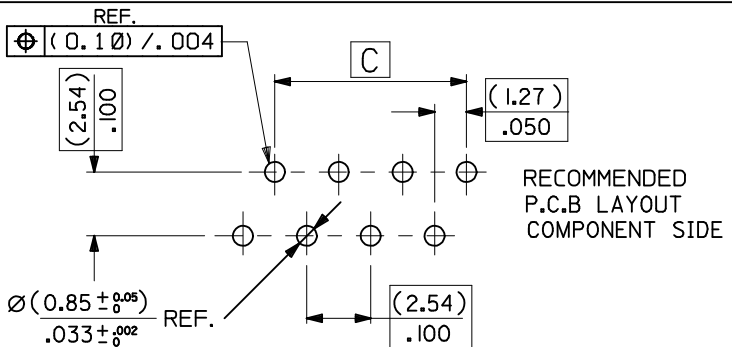
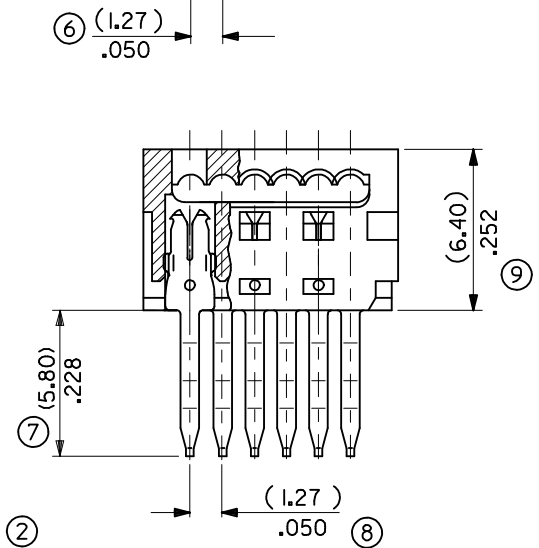
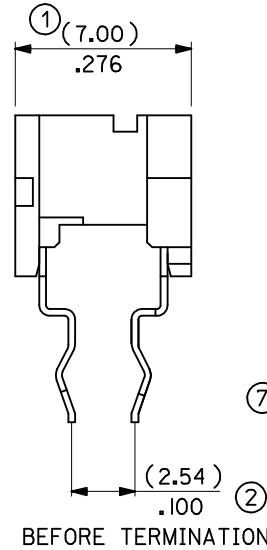
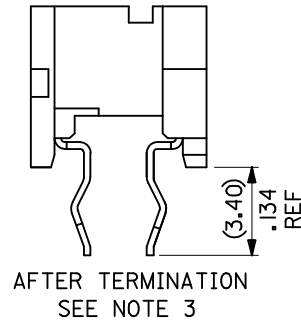
1. APPL. CLASS TO DIN 40040 HME (-25°C/+100°C)
2. PRODUCT SPECIFICATION: PS-99020-0011
3. WIRE TERMINATION SPEC: ES-99033-0002
4. PACKAGING SPEC: PK-90584-001

90584- * * * *

04 TO 26 = CKT SIZE.

- 3= NO CIRCUITS VOIDED.
- 4= CIRCUITS 4 & 5 VOIDED.

- 1= INDIVIDUAL TUBED ASSY
- 2= STACKED TUBED ASSY - SEE SHEET 2
- 9= NON STANDARD OPTION - SEE SHEET 3



RECOMMENDED
P.C.B LAYOUT
COMPONENT SIDE

ADDED PACKAGING NOTE:
 EC NO: IPG2013-2038
 DRWN: JBYRINES 2013/06/26
 CHKD: DSHEA 2013/06/27
 APPR: STGRIFFIN 2013/07/16

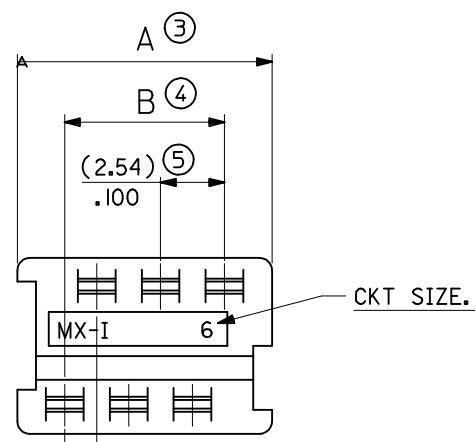
REV	DESCRIPTION
1	INITIAL RELEASE
2	REVISION 1
3	REVISION 2
4	REVISION 3
5	REVISION 4
6	REVISION 5
7	REVISION 6
8	REVISION 7
9	REVISION 8
10	REVISION 9

QUALITY SYMBOLS	GENERAL TOLERANCES (UNLESS SPECIFIED)	
	mm	INCH
▽=0	4 PLACES ± ---	± ---
▽=0	3 PLACES ± ---	± .010
	2 PLACES ± 0.25	± ---
	1 PLACE ± ---	± ---
	ANGULAR ± 2 °	
	DRAFT WHERE APPLICABLE MUST REMAIN WITHIN DIMENSIONS	

DIMENSION STYLE		SCALE	DESIGN UNITS	THIRD ANGLE PROJECTION
MM/IN		5:1	METRIC	
DRAWN BY	DATE	TITLE		
DMCNAMAR	2003/09/01	1.27MM PF LOW PRO IDT BOARD-IN CONNECTOR		
CHECKED BY	DATE			
BMAGUIRE	2003/09/01			
APPROVED BY	DATE			
MWILHITE	2003/09/01			
MATERIAL NO.	DOCUMENT NO.			
	SDA-90584			

MOLEX INCORPORATED		SHEET NO.
		1 OF 3
THIS DRAWING CONTAINS INFORMATION THAT IS PROPRIETARY TO MOLEX INCORPORATED AND SHOULD NOT BE USED WITHOUT WRITTEN PERMISSION		

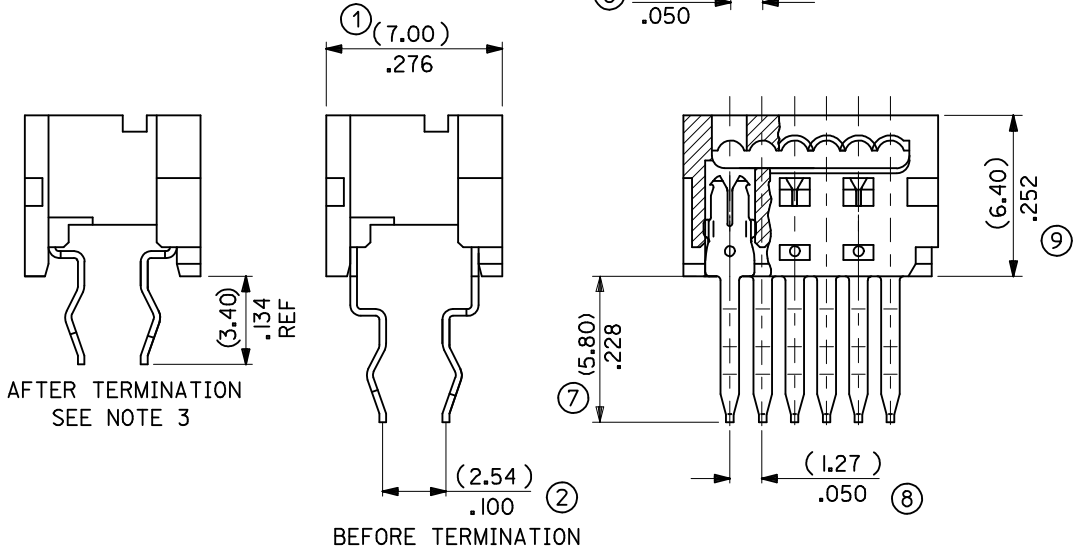
90584	-**26	26	(35.53)/1.399	(31.75)/1.250	(30.48)/1.200
	-**24	24	(32.99)/1.299	(29.21)/1.150	(27.94)/1.100
	-**22	22	(30.45)/1.199	(26.67)/1.050	(25.40)/1.000
	-**20	20	(27.91)/1.099	(24.13)/.950	(22.86)/.900
	-**18	18	(25.37)/.999	(21.59)/.850	(20.32)/.800
	-**16	16	(22.83)/.899	(19.05)/.750	(17.78)/.700
	-**14	14	(20.29)/.799	(16.51)/.650	(15.24)/.600
	-**12	12	(17.75)/.699	(13.97)/.550	(12.70)/.500
	-**10	10	(15.21)/.599	(11.43)/.450	(10.16)/.400
	-**08	8	(12.67)/.499	(8.89)/.350	(7.62)/.300
	-**06	6	(10.13)/.399	(6.35)/.250	(5.08)/.200
90584	-**04	4	(7.59)/.299	(3.81)/.150	(2.54)/.100
PART NO.	CCT SIZE		DIMENSION A	DIMENSION B	DIMENSION C



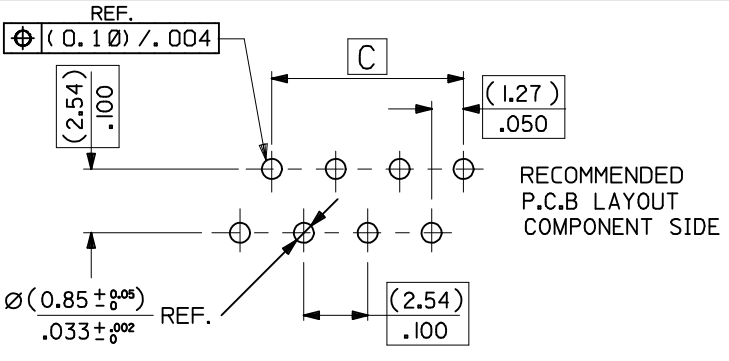
HOUSING
MATL. POLYESTER, RATED UL 94V-0, COLOUR WHITE.

IDT CONTACT
MATL : PHOSPHOR BRONZE (0.28)/.011 REF THICK.
PLATING : (2-4um) / 80-160u" TIN

- NOTES:**
1. APPL. CLASS TO DIN 40040 HME (-25°C/+100°C)
 2. PRODUCT SPECIFICATION: PS-99020-0011
 3. WIRE TERMINATION SPEC: ES-99033-0002
 4. PACKAGING SPEC: PK-90584-001



- 90584- * * * *
- 04 TO 26 = CKT SIZE.
 - 3= NO CIRCUITS VOIDED.
 - 4= CIRCUITS 4 & 5 VOIDED.
 - 1= INDIVIDUAL TUBED ASSY
 - 2= STACKED TUBED ASSY - SEE SHEET 2
 - 9= NON STANDARD OPTION - SEE SHEET 3



ADDED PACKAGING NOTE: EC NO: IPG2013-2038 DRWN: JBYRINES 2013/06/26 CHK: KDSHEA 2013/06/27 APPR: STGRIFFIN 2013/07/16	QUALITY SYMBOLS ▽=0 ▽=0	GENERAL TOLERANCES (UNLESS SPECIFIED)		DIMENSION STYLE MM/IN	SCALE 5:1	DESIGN UNITS METRIC	THIRD ANGLE PROJECTION
		4 PLACES ± --- ± --- 3 PLACES ± --- ± .010 2 PLACES ± 0.25 ± --- 1 PLACE ± --- ± ---	mm INCH	DRAWN BY DATE DMCNAMAR 2003/09/01	TITLE 1.27MM PF LOW PRO IDT BOARD-IN CONNECTOR		
		ANGULAR ± 2 °	APPROVED BY DATE MWILHITE 2003/09/01	MOLEX MOLEX INCORPORATED	SHEET NO. 1 OF 3		
		DRAFT WHERE APPLICABLE MUST REMAIN WITHIN DIMENSIONS	MATERIAL NO. SEE CHART	DOCUMENT NO. SDA-90584	THIS DRAWING CONTAINS INFORMATION THAT IS PROPRIETARY TO MOLEX INCORPORATED AND SHOULD NOT BE USED WITHOUT WRITTEN PERMISSION		