

10 9 8 7 6 5 4 3 2 1

F

E

D

C

B

A

F

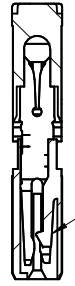
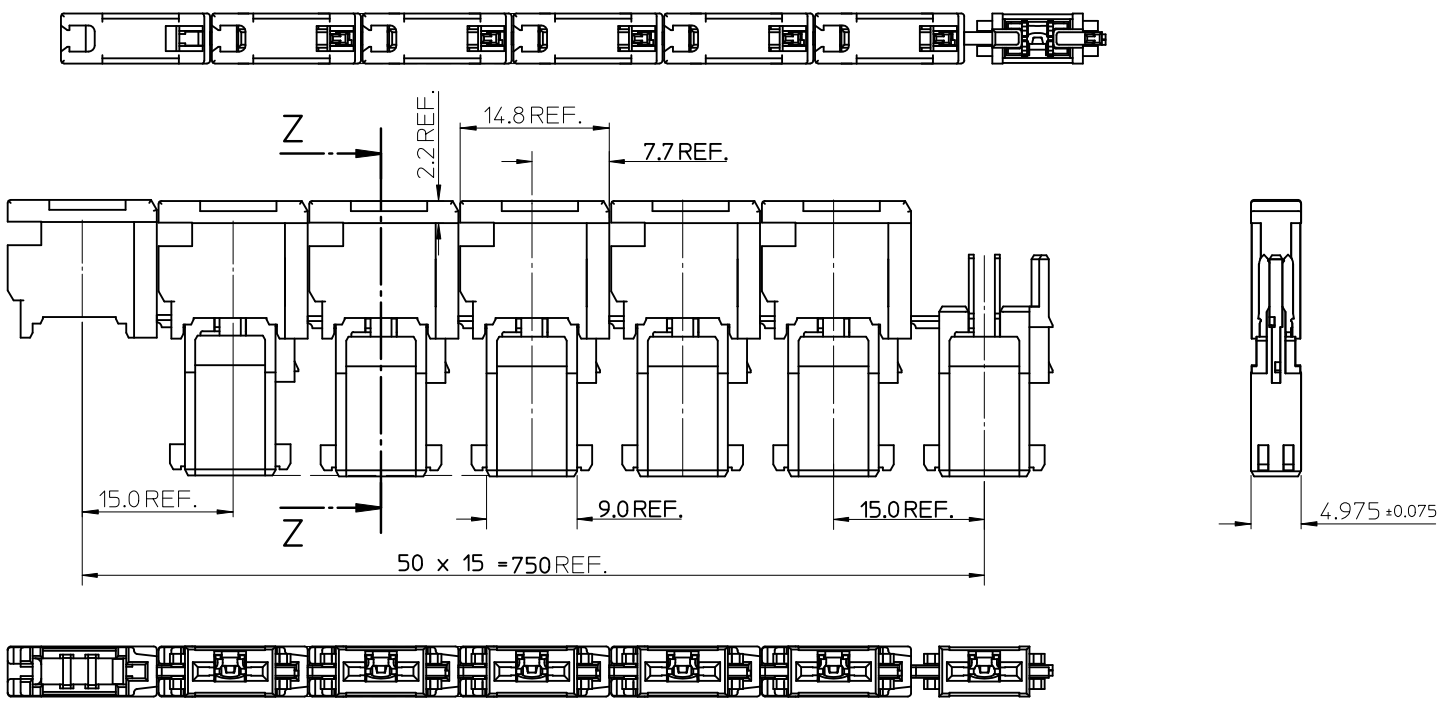
E

D

C

B

A



LOCKING TAB

Z-Z

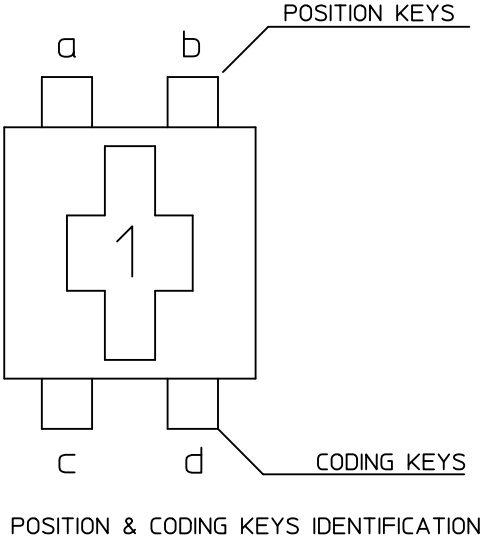
NOTES:

1. MATERIALS:
 - HOUSING: POLYAMIDE (PA66) UL 94V-2
 - TERMINAL: COPPER ALLOY, 0.5 REF THICK
 - PLATING:
 - OPTION 1: 5um MIN PURE Sn ALL OVER
 - OR
 - OPTION 2: 2um MIN SILVER IN CONTACT AREA
 - 0.05um MIN SILVER FLASH ALLOVER
2. PRODUCT CONFORMS TO SPECIFICATION PS-99020-0037
3. PACKAGING SPECIFICATION PK-90833-001
4. REFER TO APPLICATION SPECIFICATION AS-99033-0004

plating flash change EC NO: E2010-0213 DRWN: BRITTLE 2010/01/08 CHKD: T. TOURISH 2010/01/19 APPR: B. MAGUIRE 2010/01/19 REV	QUALITY SYMBOLS	GENERAL TOLERANCES (UNLESS SPECIFIED)		DIMENSION STYLE MM ONLY		SCALE 2:1	DESIGN UNITS METRIC	THIRD ANGLE PROJECTION
	▽=0 ▽=0	mm INCH 4 PLACES ± --- ± --- 3 PLACES ± --- ± --- 2 PLACES ± 0.05 ± --- 1 PLACE ± 0.10 ± --- ANGULAR ± 2 °	DRAWN BY CCONLON CHECKED BY PWHITE DATE 1999/06/28 1999/06/28	TITLE 5MM APPLI-MATE 1CKT 10A FEMALE CONNECTOR				
		DRAFT WHERE APPLICABLE MUST REMAIN WITHIN DIMENSIONS	APPROVED BY MWHITE DATE 1999/07/01	MOLEX INCORPORATED DOCUMENT NO. SD-91338-006		SHEET NO. 1 OF 2		
			SIZE A3	THIS DRAWING CONTAINS INFORMATION THAT IS PROPRIETARY TO MOLEX INCORPORATED AND SHOULD NOT BE USED WITHOUT WRITTEN PERMISSION				

9 8 7 6 5 4 3 2 1

MOLEX PART NUMBER (See Note 3.)	TERMINAL (see Note 1 sheet1)	COLOUR	POSITION KEYS	CODING KEYS	CONFIGURATION	REF				
91338-0102	OPTION 1 (TIN)	NATURAL	b	c d		K02				
91338-3102	OPTION 2 (SILVER)									
91338-0103	OPTION 1 (TIN)	NATURAL	NONE	NONE		K12				
91338-3103	OPTION 2 (SILVER)									
91338-0403	OPTION 1 (TIN)	BLUE	a	c d		K03				
91338-3403	OPTION 2 (SILVER)									
91338-0601	OPTION 1 (TIN)	YELLOW	a b	d		K01				
91338-3601	OPTION 2 (SILVER)									
91338-0501	OPTION 1 (TIN)	GREY								
91338-3501	OPTION 2 (SILVER)									
91338-0801	OPTION 1 (TIN)	BLACK								
91338-3801	OPTION 2 (SILVER)									
91338-0104	OPTION 1 (TIN)	NATURAL	NONE	c		K11				
91338-3104	OPTION 2 (SILVER)									
91338-0105	OPTION 1 (TIN)	NATURAL	a	c		K09				
91338-3105	OPTION 2 (SILVER)									
91338-0507	OPTION 1 (TIN)	GREY	a b	c		K07				
91338-3507	OPTION 2 (SILVER)									
91338-0607	OPTION 1 (TIN)	YELLOW								
91338-3607	OPTION 2 (SILVER)									
91338-0700	OPTION 1 (TIN)	GREEN					a b	c d		K00
91338-3700	OPTION 2 (SILVER)									



SEE SHEET 1 EC NO: E2010-02/13 DRWN: BRITTLE 2010/01/08 CHKD: T. TOURISH 2010/01/19 APPR: BMAGUIRE 2010/01/19	DESCRIPTION QUALITY SYMBOLS ▽=0 ◻=0	GENERAL TOLERANCES (UNLESS SPECIFIED)		DIMENSION STYLE MM ONLY		SCALE 2:1	DESIGN UNITS METRIC	THIRD ANGLE PROJECTION
		4 PLACES ± --- ± ---	DRAWN BY CCONLON	DATE 1999/06/28	TITLE 5MM APPLI-MATE 1CKT 10A FEMALE CONNECTOR			
		3 PLACES ± --- ± ---	CHECKED BY PWHITE	DATE 1999/06/28				
		2 PLACES ± 0.05 ± ---	APPROVED BY MWILHITE	DATE 1999/07/01	MOLEX INCORPORATED DOCUMENT NO. SD-91338-006			
1 PLACE ± 0.10 ± ---	MATERIAL NO. SEE CHART		SHEET NO. 2 OF 2					
DRAFT WHERE APPLICABLE MUST REMAIN WITHIN DIMENSIONS				SIZE A3		THIS DRAWING CONTAINS INFORMATION THAT IS PROPRIETARY TO MOLEX INCORPORATED AND SHOULD NOT BE USED WITHOUT WRITTEN PERMISSION		