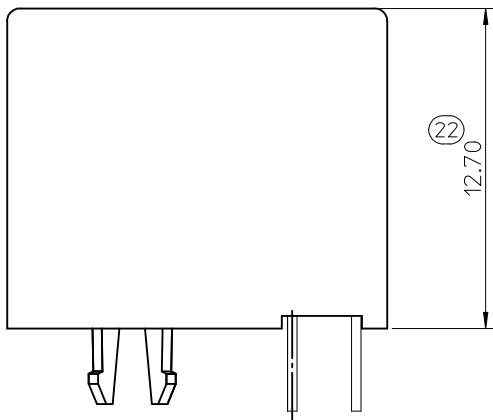


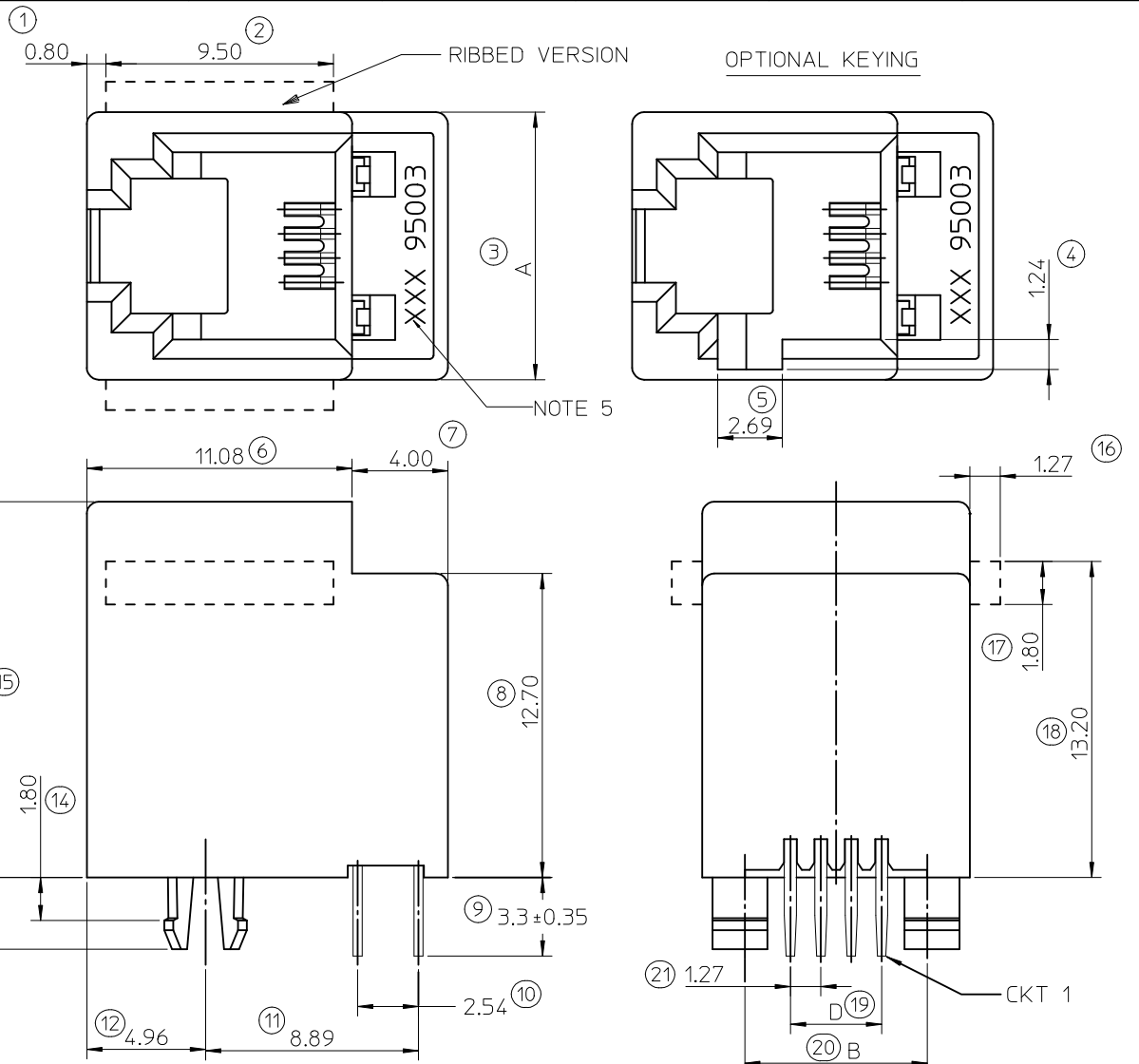
NOTES :

- 1- MATERIAL:
 -HOUSING: LCP FIBER GLASS FILLED UL 94-V0
 COLOR BLACK.
 -TERMINAL: COPPER ALLOY
 - BASE FINISH: NICKEL
 - CONTACT SURFACE FINISH
 GOLD
 OR
 GOLD FLASH OVER PALLADIUM NICKEL
 EXCEEDS PRODUCT REQUIREMENTS BASED ON PS-95503-001
- 2- JACK FOR MATING WITH F.C.C. 68 PLUGS
 90075 MOLEX SERIES.
3. P.C.B. THICKNESS: 1.57
- 4- PRODUCT SPECIFICATION PS-95503-001
- 5- PACKAGING SPECIFICATION:
 - STANDARD PACKAGING PK-95003 SHEET 1.
 - TUBE PACKAGING FOR SMT VERSION PK-95003 SHEET 2.
 - TUBE PACKAGING FOR THROUGH HOLE VERSION
 PK-95003 SHEET 3.
 - TAPE AND REEL PACKAGING FOR THROUGH HOLE PK-95503-001.
- 6- MANUFACTURING I.D. CAN BE MXF, MG OR MXI.
 INSPECTION NUMBERS USED: 1 - 50
 LAST INSPECTION NUMBER: 22

TYPE \ DIM.	POS. 4	POS. 6		POS. 8
	4 CKTS.	4 CKTS.	6 CKTS.	8 CKTS.
A	11.18	13.21	13.21	15.24
B	7.62	10.16	10.16	11.43
D	3.81	3.81	6.35	8.89



SHORT VERSION



MODIFIED PLATING OPTION EC NO: IPG2012-0589 DRW:DBYRNES 2012/03/29 CHKD:MSHAHAN 2012/03/30 APPR:EFOLAN 2012/06/28	QUALITY SYMBOLS ▽=0 ◻=0	GENERAL TOLERANCES (UNLESS SPECIFIED) mm INCH 4 PLACES ± --- ± --- 3 PLACES ± --- ± --- 2 PLACES ± 0.15 ± --- 1 PLACE ± 0.25 ± --- ANGULAR ± .5 °	DIMENSION STYLE MM ONLY DRAWN BY: TMARTIN DATE: 2005/06/15 CHECKED BY: FCARABETTA DATE: 2005/06/15 APPROVED BY: KNOLLER DATE: 2005/06/15	SCALE 5:1 DESIGN UNITS METRIC THIRD ANGLE PROJECTION	TITLE LOW PROFILE TOP ENTRY JACK (THROUGH HOLE VERSION) MOLEX INCORPORATED DOCUMENT NO. SD-95503-003 SHEET NO. 1 OF 5	
	DRAFT WHERE APPLICABLE MUST REMAIN WITHIN DIMENSIONS	MATERIAL NO. SEE SHT 4,5 SIZE A3	THIS DRAWING CONTAINS INFORMATION THAT IS PROPRIETARY TO MOLEX INCORPORATED AND SHOULD NOT BE USED WITHOUT WRITTEN PERMISSION			

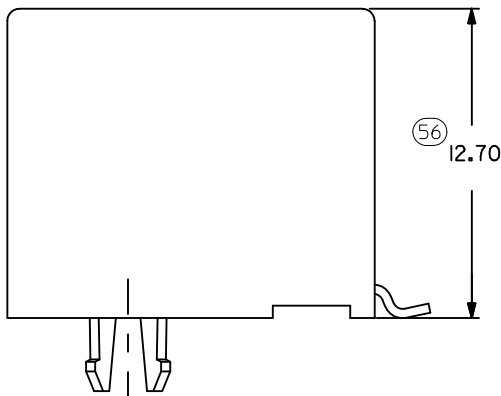
10 9 8 7 6 5 4 3 2 1

NOTES :

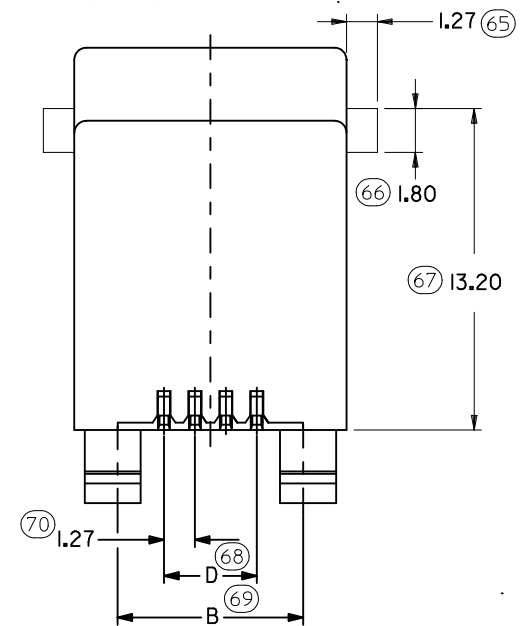
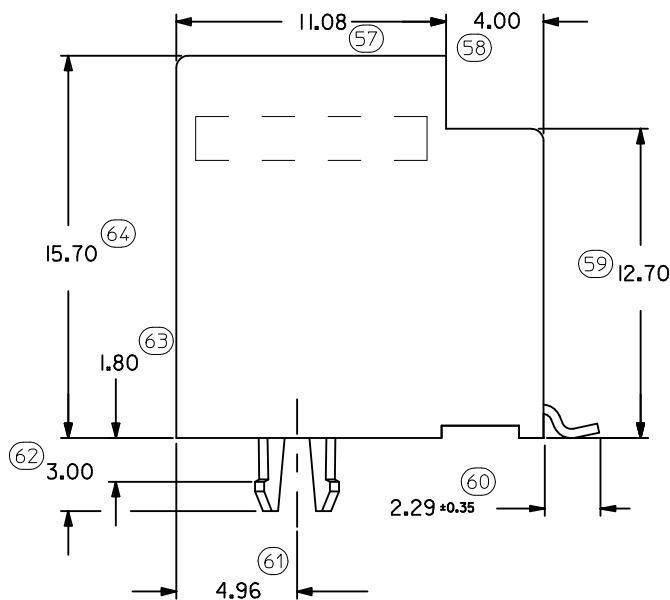
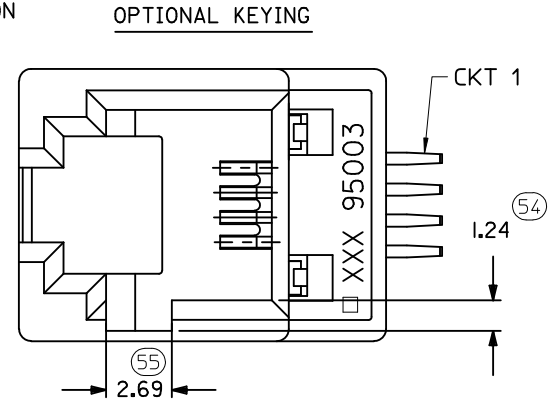
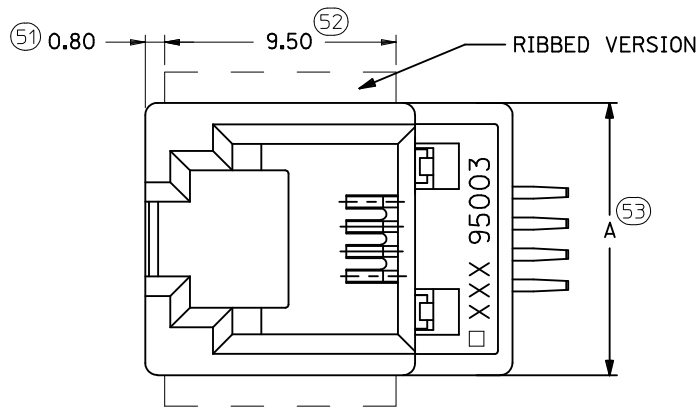
1- MATERIAL:

- HOUSING: LCP FIBER GLASS FILLED UL 94-V0
COLOR BLACK
- 2-APPLICATION SPECIFICATION: AS-85513-001 (SMT)
- 3- SEE OTHER NOTES SHEET 1.
- 4- COPLANARITY OF SIGNAL TAILS 0.1mm MAX
RELEVANT TO EACH OTHER.

INSPECTION NUMBERS USED: 51 - 100
LAST INSPECTION NUMBER: 70



SHORT VERSION



DIM.	TYPE	POS. 6		POS. 8
	4 CKTS.	4 CKTS.	6 CKTS.	8 CKTS.
A	11.18	13.21	13.21	15.24
B	7.62	10.16	10.16	11.43
D	3.81	3.81	6.35	8.89

REMOVED INCHES	EC NO: E2012-0079	2011/03/04
	DRWN: JOCNNOR	2011/03/04
	CHKD: CHIKD	
	APPR: EFOLAN	2011/09/28
REV	DESCRIPTION	

QUALITY SYMBOLS	GENERAL TOLERANCES (UNLESS SPECIFIED)	
	mm	INCH
▽=0	4 PLACES ± ---	± ---
▽=0	3 PLACES ± ---	± ---
	2 PLACES ± 0.15	± ---
	1 PLACE ± 0.25	± ---
	ANGULAR ± .5 °	
	DRAFT WHERE APPLICABLE MUST REMAIN WITHIN DIMENSIONS	

DIMENSION STYLE		SCALE	DESIGN UNITS	THIRD ANGLE PROJECTION
MM ONLY		5:1	METRIC	☉
DRAWN BY	DATE	TITLE	LOW PROFILE T/E JACK (SMT VERSION) MOLEX INCORPORATED	
TMARTIN	2005/06/19			
CHECKED BY	DATE			
FCARABETTA	2005/06/19			
APPROVED BY	DATE	DOCUMENT NO.	SHEET NO. 2 OF 5	
KNOLLER	2005/06/19	SD-95503-003		
MATERIAL NO.	SEE SHT. 4, 5			
SIZE	THIS DRAWING CONTAINS INFORMATION THAT IS PROPRIETARY TO MOLEX INCORPORATED AND SHOULD NOT BE USED WITHOUT WRITTEN PERMISSION			

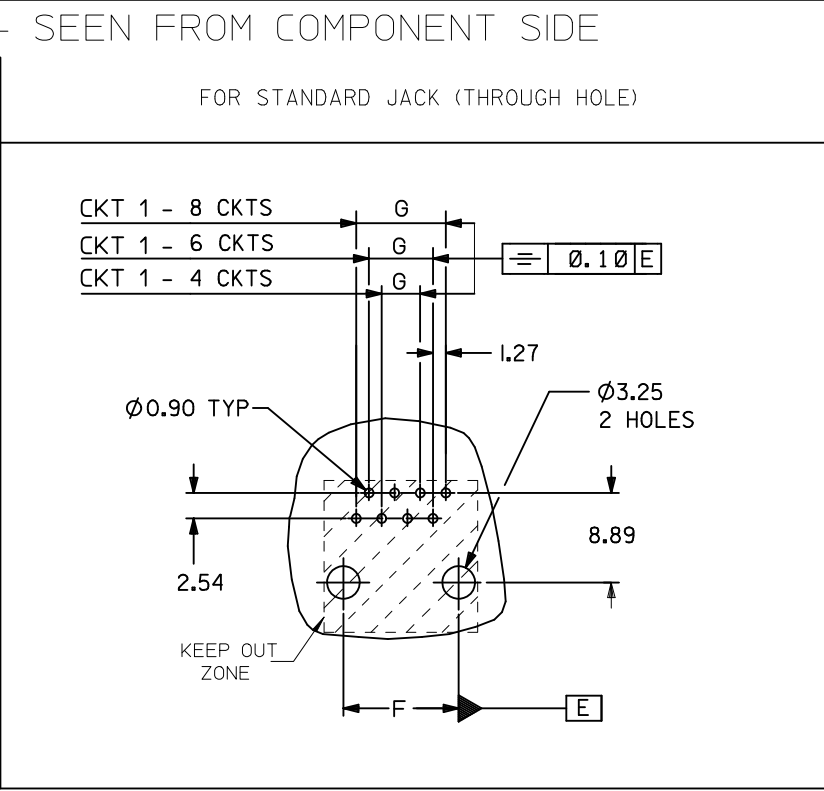
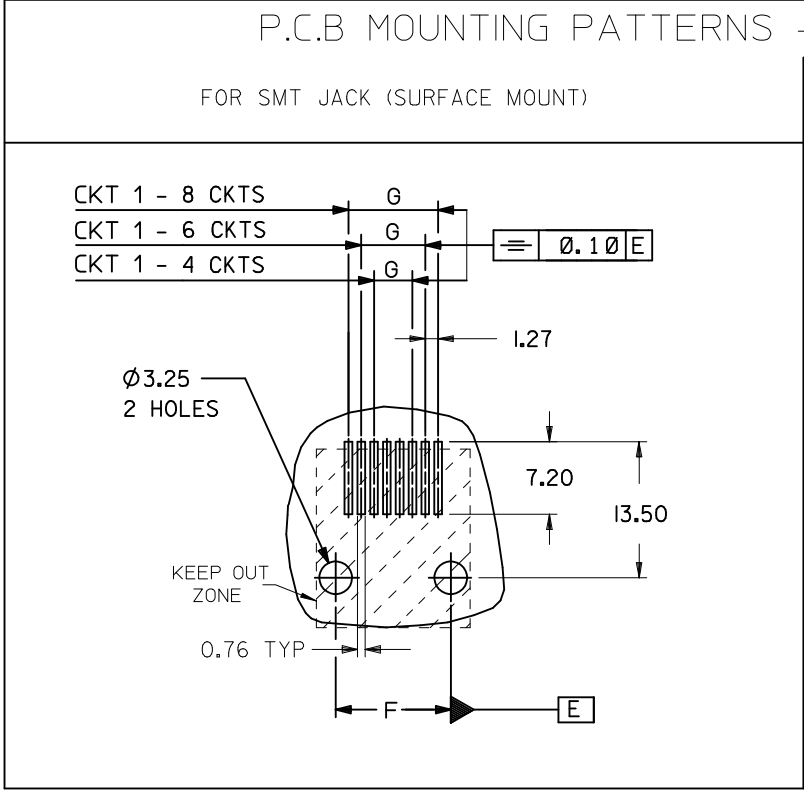
9 8 7 6 5 4 3 2 1

TYPE DIM.	POS. 4	POS. 6		POS. 8
	4 CKTS.	4 CKTS.	6 CKTS.	8 CKTS.
F ±0.05	7.62	10.16	10.16	11.43
G ±0.05	3.81	3.81	6.35	8.89

P.C.B MOUNTING PATTERNS - SEEN FROM COMPONENT SIDE

FOR SMT JACK (SURFACE MOUNT)

FOR STANDARD JACK (THROUGH HOLE)



NOTES:

ALL DIMENSIONS REF DIMENSIONS

REMOVED INCHES EC NO: E2012-0079 DRWN: JCONNOR 2011/03/04 CHKD: APPR: EFOLAN 2011/09/28	QUALITY SYMBOLS	GENERAL TOLERANCES (UNLESS SPECIFIED)	DIMENSION STYLE	SCALE	DESIGN UNITS	THIRD ANGLE PROJECTION	
	▼=0 □=0	mm INCH 4 PLACES ± --- ± --- 3 PLACES ± --- ± --- 2 PLACES ± 0.15 ± --- 1 PLACE ± 0.25 ± --- ANGULAR ± .5 °	MM ONLY	1:1	METRIC		
		DRAFT WHERE APPLICABLE MUST REMAIN WITHIN DIMENSIONS	DRAWN BY	DATE	TITLE		
			TMARTIN	2005/06/15	LOW PROFILE T/E JACK		
			CHECKED BY	DATE	MOLEX INCORPORATED DOCUMENT NO. SD-95503-003 SHEET NO. 3 OF 5		
			FCARABETTA	2005/06/15			
			APPROVED BY	DATE			
			KNOLLER	2005/06/15			
			MATERIAL NO.	DATE			
			SEE SHT. 4, 5				
			THIS DRAWING CONTAINS INFORMATION THAT IS PROPRIETARY TO MOLEX INCORPORATED AND SHOULD NOT BE USED WITHOUT WRITTEN PERMISSION				

TUBE PACKAGING, SEE PACKAGING SPEC. PK 95003
SHEET 2

HOUSING SIZE	LOADED CONTACTS
4	4
6	4
6	6
8	8

PART NO FOR JACK ASSEMBLY S.M.T. STANDARD VERSION							
LCP FIBER GLASS FILLED 94V0, COLOR BLACK.							
NO KEY	TOOLED	KEY	TOOLED	NO KEY	TOOLED		TOOLED
NO RIB	TOOLED	NO RIB	TOOLED	RIB	TOOLED		TOOLED
95503-6451	X						
95503-6651	X						
95503-6671	X						
95503-6891	X			95503-6887	X		

PART NO FOR JACK ASSEMBLY S.M.T. SHORT VERSION							
LCP FIBER GLASS FILLED 94V0, COLOR BLACK.							
NO KEY	TOOLED	KEY	TOOLED	NO KEY	TOOLED		TOOLED
NO RIB	TOOLED	NO RIB	TOOLED	RIB	TOOLED		TOOLED
95503-6894	X						

TOOLED	X
NOT TOOLED	

NOTES:
PLATING: SEE SHEET ONE

ADDED OPTIONS EC NO: IPG2012-0589 DRW:DBR/MS 2012/03/29 CHKD:MSH/AHAN 2012/03/30 APPR:EFOLAN 2012/06/28	QUALITY SYMBOLS ▽=0 ◁=0	GENERAL TOLERANCES (UNLESS SPECIFIED) mm INCH 4 PLACES ± --- ± --- 3 PLACES ± --- ± --- 2 PLACES ± --- ± --- 1 PLACE ± --- ± --- ANGULAR ± ---°	DIMENSION STYLE MM ONLY DRAWN BY DATE TMARTIN 2005/06/16 CHECKED BY DATE FCARABETTA 2005/06/16 APPROVED BY DATE KNOLLER 2005/06/16	SCALE --- DESIGN UNITS METRIC THIRD ANGLE PROJECTION	TITLE LOW PROFILE T/E JACK SMT VERSION
	DRAFT WHERE APPLICABLE MUST REMAIN WITHIN DIMENSIONS		MATERIAL NO. SEE CHART	DOCUMENT NO. SD-95503-003	SHEET NO. 5 OF 5
	THIS DRAWING CONTAINS INFORMATION THAT IS PROPRIETARY TO MOLEX INCORPORATED AND SHOULD NOT BE USED WITHOUT WRITTEN PERMISSION				
	MOLEX INCORPORATED				