



PRODUCT SPECIFICATION FOR DIN VALVE CONNECTORS SERIES

SECTION	PAGE
1.0 SCOPE	2
2.0 PRODUCT DESCRIPTION	2
3.0 APPLICABLE DOCUMENTS AND SPECIFICATIONS.....	3
4.0 RATINGS.....	3
5.0 TEST GROUP INFORMATION	4
6.0 GROUP P (PRELIMINARY)	5
7.0 GROUP AP TEST SEQUENCE.....	6
8.0 GROUP BP TEST SEQUENCE	7
9.0 GROUP CP TEST SEQUENCE.....	8
9.0 GROUP CP TEST SEQUENCE.....	8
10.0 ADDITIONAL TEST SEQUENCES	9
11.0 CRITICAL PARAMETERS.....	10
12.0 GENERAL REQUIREMENTS.....	10
13.0 MATERIALS.....	10
14.0 MARKING.....	10
15.0 PACKAGING & LABELLING.....	10
APPENDIX 1	11
APPENDIX 2	12
APPENDIX 3	13
APPENDIX 4	14
APPENDIX 5	15
APPENDIX 6	16
APPENDIX 7	17
APPENDIX 8	20

REV.		F																	
SHEET	1	TO	20																

REVISE ON PC ONLY:		TITLE:	PRODUCT SPECIFICATION FOR DIN VALVE CONNECTORS																	
F	UPDATED ECN IPG2013-0295		THIS DOCUMENT CONTAINS INFORMATION THAT IS PROPRIETARY TO MOLEX INC. AND SHOULD NOT BE USED WITHOUT WRITTEN PERMISSION																	
	REV.	DESCRIPTION	WRITTEN BY:	CHECKED BY:	APPROVED BY	DATE:	YR/MO/DAY													
	DESIGN CONTROL MXI	STATUS	D MAHER	A HIGGINS	S GRIFFIN	2012/12/19														
DOCUMENT NUMBER							FILENAME	SHEET												
PS-121201-001							PS-121201-001-F.doc	1 of 20												



1.0 SCOPE

This specification defines the performance for all the Din Valve connector series.

2.0 PRODUCT DESCRIPTION

Field Attachable Without Circuit

Series; C28, C22, C92 C25, C29, CSP, C01, C04, C05, C08, C12, C14, C17, C18, C19, C20, C32, C40, C41, C43, C44, C47, C50, C51, C52, C59, C62, C70, C71, C81 & C82

Field Attachable With Circuit

Series; S28, S22, S92 S25, S29, S02, S04, S05, S11, S14, S18, S19, S20, S40, S41, S43, S44, S53, S54, S55, S56 & S62

Bases

Series; B04, B14, B15, B20, B21, B22, B23, B24, B26, B27, B28, B29, B30, B31, B39, B40, B41, B42, B46, B47 & B48.

Adaptors

A06, A07, A02, A03, A04, A05, A08, A09, A10, A11 & A01

For materials, plating & markings, see sections 11, 12 and sales drawings SD-121***.*** related to each series.

REVISE ON PC ONLY:		TITLE:	PRODUCT SPECIFICATION FOR DIN VALVE CONNECTORS	
F	SEE PAGE 1			
REV.	DESCRIPTION	THIS DOCUMENT CONTAINS INFORMATION THAT IS PROPRIETARY TO MOLEX INC. AND SHOULD NOT BE USED WITHOUT WRITTEN PERMISSION		
DOCUMENT NUMBER PS-121201-001			FILENAME PS-121201-001-F.doc	SHEET 2 of 20
ES-40000-3996 REV. A SHEET 3 95/MAR/10 EC U5-0926 DCBRD03.LWP				



3.0 APPLICABLE DOCUMENTS AND SPECIFICATIONS

See sales drawings SD-121***.*** and other sections of this specification for the relevant reference documents and specifications. In cases where the specification differs from the product drawings, the product drawings take precedence.

Testing and testing sequences are according to EN 175301-803:2006,

4.0 RATINGS

4.1	Current	Type A & B: Nominal 10 Amps / Max 16 Amps
		Type C & Micro: Nominal 6 Amps / Max 10 Amps
4.2	Voltage	Max 250 V AC / Max 300 V DC
4.3	Operating Temperature Range	-40°C to +90°C
4.4	Storage Temperature Range	-40°C to +125°C
4.5	Storage Humidity Range	+15% to +70% RH
4.6	Operating Temperature Range at mated interface	*Typical, NBR -40°C to +90°C, Silicone -40°C to +125°C
4.7	Derating Curve's	See Appendix 1
4.8	Cable Range	Minimum 0.75mm ² - Maximum 1.5mm ²

*Note, For connector ending in ATXE & ATXEX the temperature ranges are -25°C to +90°C for NBR and -25°C to +125°C for Silicone

REVISE ON PC ONLY:		TITLE:	PRODUCT SPECIFICATION FOR DIN VALVE CONNECTORS	
F	SEE PAGE 1			
REV.	DESCRIPTION	THIS DOCUMENT CONTAINS INFORMATION THAT IS PROPRIETARY TO MOLEX INC. AND SHOULD NOT BE USED WITHOUT WRITTEN PERMISSION		
DOCUMENT NUMBER PS-121201-001		FILENAME PS-121201-001-F.doc	SHEET 3 of 20	
ES-40000-3996 REV. A SHEET 3 95/MAR/10 EC U5-0926 DCBRD03.LWP				



5.0 TEST GROUP INFORMATION

Test Group	Number of Specimen
P	6
AP	2
BP	2
CP	2
1.1	4
1.2	4

Table 1, Test Group Size

REVISE ON PC ONLY:		TITLE:	PRODUCT SPECIFICATION FOR DIN VALVE CONNECTORS	
F	SEE PAGE 1			
REV.	DESCRIPTION	THIS DOCUMENT CONTAINS INFORMATION THAT IS PROPRIETARY TO MOLEX INC. AND SHOULD NOT BE USED WITHOUT WRITTEN PERMISSION		
DOCUMENT NUMBER PS-121201-001			FILENAME PS-121201-001-F.doc	SHEET 4 of 20
ES-40000-3996 REV. A SHEET 3 95/MAR/10 EC U5-0926 DCBRD03.LWP				



6.0 GROUP P (PRELIMINARY)

Test Ref.	Item	Test Condition	Requirements
P1	General Examination IEC-60512 Test 1A	Visual examination of unmated connectors	There shall be no defects that would impair normal operation
P2	Polarization Method IEC-60512 Test 13E	Force to be applied for 60 seconds at a rate of 25mm Min 2 + PE = 60N 3 + PE = 100N	It shall be possible to correctly align and mate the appropriate mating connectors It shall not be possible to mate the connectors in any way other than the correct manner
P3	Contact Resistance IEC-60512 Test 2B	Measure contact resistance across the interface of male and female test current 1A	= 15mΩ Max * See note below
P4	Insulation Resistance IEC-60512 Test 3A	Mated & Unmated connector with 500V AC +/- 50V between adjacent contacts for 60 seconds +/- 5s test method A	100MΩ Min. * See note below
P5	Voltage Proof IEC-60512 Test 4A	Mated connectors, Standard atmospheric conditions, Contact/contact: measuring points as P4, 500V +/- 50V for 60s +/- 5s @45-60Hz, test voltage not to exceed 500V/s, test method A	No breakdown or flashover * See note below

* Not applicable to with-circuit & adaptor part numbers

REVISE ON PC ONLY:		TITLE:	PRODUCT SPECIFICATION FOR DIN VALVE CONNECTORS	
F	SEE PAGE 1			
THIS DOCUMENT CONTAINS INFORMATION THAT IS PROPRIETARY TO MOLEX INC. AND SHOULD NOT BE USED WITHOUT WRITTEN PERMISSION				
REV.	DESCRIPTION	DOCUMENT NUMBER		FILENAME
		PS-121201-001		PS-121201-001-F.doc
			SHEET	5 of 20
ES-40000-3996 REV. A SHEET 3 95/MAR/10 EC U5-0926 DCBRD03.LWP				



7.0 GROUP AP TEST SEQUENCE

Test Ref.	Item	Test Condition	Requirements
AP1	Mechanical Operation IEC-60512 Test 9A	Max. speed: 10 mm/s Rest 30's (unmated)	50 operation cycles Contact Resistance 15 mΩ max.
AP2.1	Solderability (when applicable) IEC-60512 Test 12B	Wetting iron method, Ageing method 3, Soldering iron size B, only for solder buckets	NA
AP2.2	Screw Terminal (when applicable) EN 60999-1	See EN 60999-1 Sections 9.1, 9.2, 9.4, 9.5 & 9.6, see Appendix 7	See Appendix 7
AP3	Voltage Proof IEC-60512 Test 4A	atmospheric conditions, Contact/contact: measuring points as P4, 500V +/- 50V for 60s +/- 5s @45-60Hz, test voltage not to exceed 500V/s	No breakdown or flashover * See note below
AP4	Damp Heat Steady State IEC-60512 Test 11C	Electrode Voltage: 60 VDC Recovery time 1-2 hours 40°C - 95% Relative Humidity	10 day # See note below
AP5	Contact Resistance IEC-60512 Test 2B	Measure contact resistance across the interface of male and female, test current 1A, Test Method A	15mΩ Max * See note below
AP6	Insulation Resistance IEC-60512 Test 3A	Mated & Unmated connector with 500V AC +/- 50V between adjacent contacts for 60 seconds +/- 5s Test Method A	100MΩ Min. * See note below
AP7	Voltage Proof IEC-60512 Test 4A	atmospheric conditions, Contact/contact: measuring points as P4, 500V +/- 50V for 60s +/- 5s @45-60Hz, test voltage not to exceed 500V/s, Test Method A	No breakdown or flashover * See note below
AP8	Insertion and Withdrawal Forces IEC-60512 Test 13B	Force to be applied for 60 seconds at a rate of 25mm Min 2 + PE = 60N 3 + PE = 100N	2 + PE ≤ 60N 3 + PE ≤ 80N
AP9	Unmated Connectors IEC-60512 Test 1A	Visual examination	No damage due to conditioning

*Not applicable to with-circuit part numbers

#Functional test to be performed before and after test to with-circuit & adaptor part numbers,
See Appendix 6

REVISE ON PC ONLY:		TITLE:	PRODUCT SPECIFICATION FOR DIN VALVE CONNECTORS	
F	SEE PAGE 1			
THIS DOCUMENT CONTAINS INFORMATION THAT IS PROPRIETARY TO MOLEX INC. AND SHOULD NOT BE USED WITHOUT WRITTEN PERMISSION				
REV.	DESCRIPTION			
DOCUMENT NUMBER PS-121201-001		FILENAME PS-121201-001-F.doc		SHEET 6 of 20
ES-40000-3996 REV. A SHEET 3 95/MAR/10 EC U5-0926 DCBRD03.LWP				



8.0 GROUP BP TEST SEQUENCE

Test Ref.	Item	Test Condition	Requirements
BP1	Dry Heat IEC-60512 Test 11J	Temperature 125C	96 Hr Contact Resistance 15 mΩ max. #See note below
BP2	Cold IEC-60512 Test 11J	Temperature -40C	2 hr Contact Resistance 15 mΩ max. #See note below
BP3	Degree of Protection EN 60529	Contre Screw Tightening Torque 0.4Nm, Internal thread Main Nut tightening torque 1Nm, External thread main nut tightening torque See Appendix 2	Degree of protection : IP65 acc. to EN 60529 or IPX7 acc. to EN 60529 for connectors that include fixing screw with rubber washer (gasket)
BP4	Mechanical Strength Impact IEC-60512 Test 7B	Only for free connectors Drop height: (1000 ± 10) mm Test cable: un-shielded PVC-pilot cable Drop Cycles: 8	No Damage #See note below
BP5	Protection against hazardous parts IEC-60512 Test 1A	IPxxB, Unmounted Connector, Protect against access with a test finger according to EN 60529 15.2, 10 N Max, See Appendix 8	Test probe shall not make contact with a live terminal
BP6	Unmated Connectors IEC-60512 Test 1A	Visual examination	No damage due to conditioning

#Functional test to be performed before and after test to with-circuit & adaptor part numbers, See Appendix 6

REVISE ON PC ONLY:		TITLE:	PRODUCT SPECIFICATION FOR DIN VALVE CONNECTORS	
F	SEE PAGE 1			
REV.	DESCRIPTION	THIS DOCUMENT CONTAINS INFORMATION THAT IS PROPRIETARY TO MOLEX INC. AND SHOULD NOT BE USED WITHOUT WRITTEN PERMISSION		
DOCUMENT NUMBER PS-121201-001		FILENAME PS-121201-001-F.doc	SHEET 7 of 20	
ES-40000-3996 REV. A SHEET 3 95/MAR/10 EC U5-0926 DCBRD03.LWP				



9.0 GROUP CP TEST SEQUENCE

Test Ref.	Item	Test Condition	Requirements
CP1	Resistance to Fluids IEC-60512	Test acc. to EN 2591 Test C 15, T2 = 80°C Hydraulic oil HM 22 acc. to EN ISO 6743-4	No Damage
CP2	Retreatment	Cleaning of specimen by washing in light petrol	No Damage
CP3	Voltage Proof IEC-60512 Test 4A	Mated connectors, Standard atmospheric conditions, Contact/contact: measuring points as P4, 500V +/- 50V for 60s +/- 5s @45-60Hz, test voltage not to exceed 500V/s Test Method A	No breakdown or flashover * See note below
CP4	General Examination IEC-60512 Test 1A	Visual examination of unmated connectors	No damage due to conditioning

*Not applicable to with-circuit part numbers

REVISE ON PC ONLY:		TITLE:	PRODUCT SPECIFICATION FOR DIN VALVE CONNECTORS	
F	SEE PAGE 1			
THIS DOCUMENT CONTAINS INFORMATION THAT IS PROPRIETARY TO MOLEX INC. AND SHOULD NOT BE USED WITHOUT WRITTEN PERMISSION				
REV.	DESCRIPTION			
DOCUMENT NUMBER PS-121201-001		FILENAME PS-121201-001-F.doc	SHEET 8 of 20	
ES-40000-3996 REV. A SHEET 3 95/MAR/10 EC U5-0926 DCBRD03.LWP				



10.0 ADDITIONAL TEST SEQUENCES

Test Ref.	Item	Test Condition	Requirements
1.1	Glow Wire IEC 60695-2-11	Parts shall be tested at 850°C, See Test Standard and Appendix 4 for details of the test setup Only V0 part numbers to be tested please see Sales drawings for details	Parts shall extinguish within 30 seconds of tip removal & any drops shall not ignite the paper below
1.2	Atex Impact Test EN 50021 26.3.1.6	A 1kg mass shall be dropped from 0.35m onto the top and side of the connector. The drop test shall be carried out at -30° and +135°, test setup see Appendix 5 Only intelligent part numbers ending in ATXE or ATXEX shall be tested	The Cover shall show no signs of external cracking.

REVISE ON PC ONLY:

F

SEE PAGE 1

TITLE:

PRODUCT SPECIFICATION FOR
DIN VALVE CONNECTORS

THIS DOCUMENT CONTAINS INFORMATION THAT IS PROPRIETARY TO MOLEX
INC. AND SHOULD NOT BE USED WITHOUT WRITTEN PERMISSION

REV.

DESCRIPTION

DOCUMENT NUMBER
PS-121201-001

FILENAME

PS-121201-001-F.doc

SHEET

9 of 20



11.0 CRITICAL PARAMETERS

Critical features are detailed on drawings SD-121***.***, please see individual part numbers for specific sales drawings, where specific sales drawings are not available please see the generic sales drawing for the specific series number for details of the intelligent part number.

12.0 GENERAL REQUIREMENTS

- All materials and plating's are RoHS compliant.
- IP-classification: This component will be used in a product that fulfils IP65 or IP67 classification according to IEC 60529 for non-active category products.
- Test Sample Size: See table 1 page 4 for test sample size in each test group.
- Product shall undergo UL certification where applicable.

13.0 MATERIALS

All materials are specified in sales drawings SD-121***.***, please see individual part numbers for specific sales drawings, where specific sales drawings are not available please see the generic sales drawing for the specific series number for details of the intelligent part number.

14.0 MARKING

Cavity number to be moulded on housings

15.0 PACKAGING & LABELLING

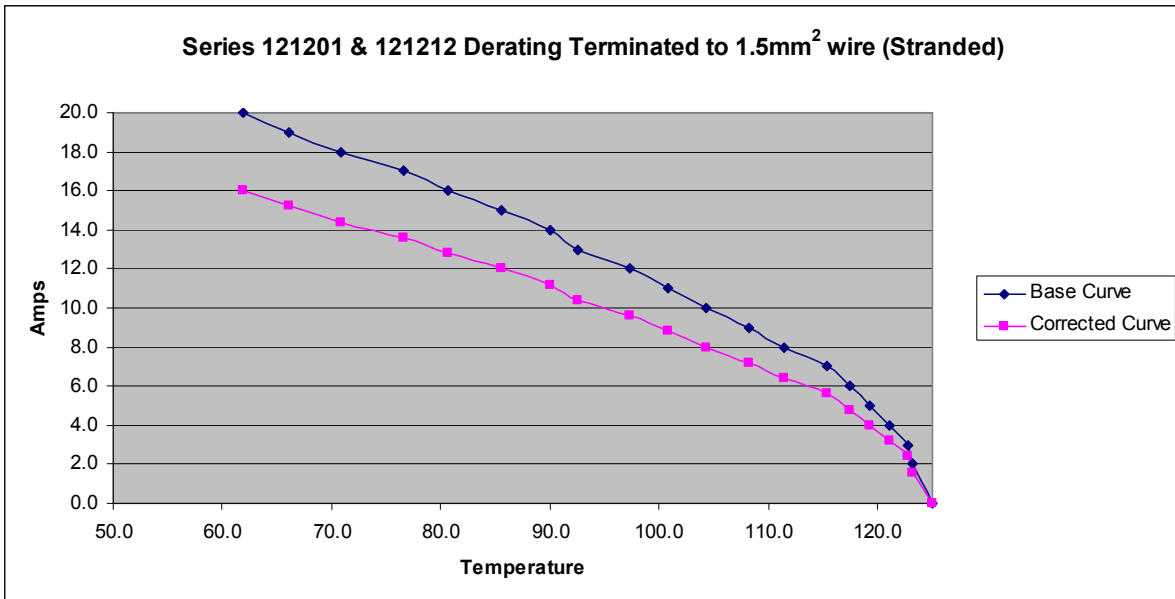
See packaging specification PK-121***.*** for packaging of assembly options and labeling requirements for cartons. Please see individual part numbers for specific packaging specifications.

Parts shall be packaged to protect against damage during handling, transit and storage. No Styrofoam shall be used in any packing that comes in direct contact with the connectors.

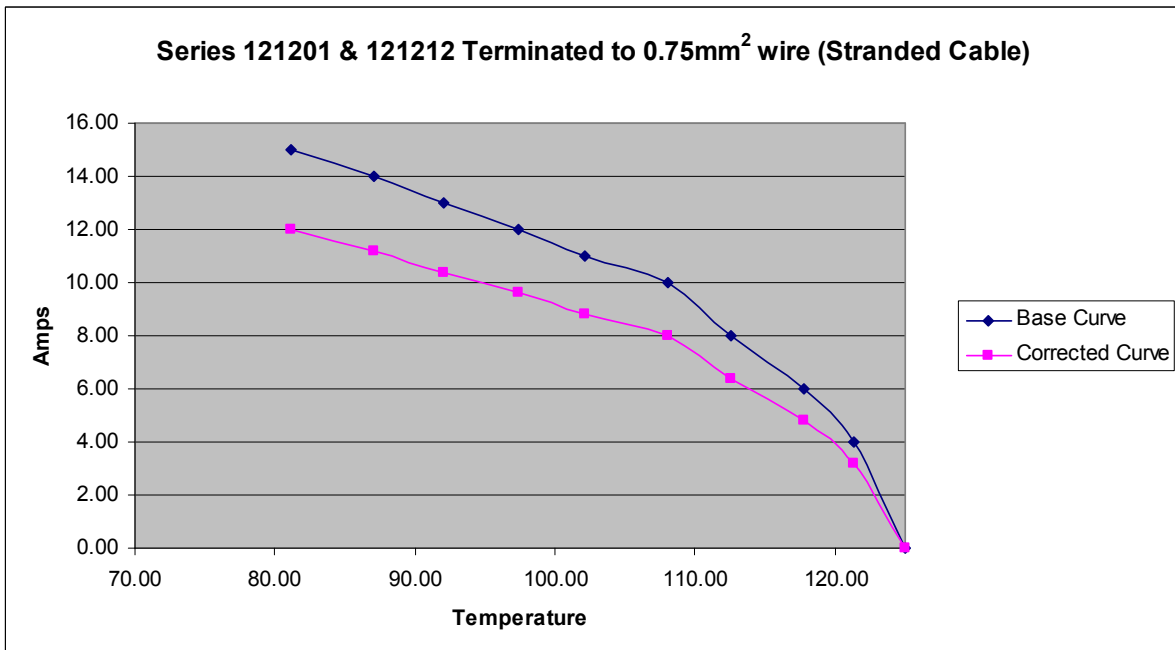
REVISE ON PC ONLY:		TITLE:	PRODUCT SPECIFICATION FOR DIN VALVE CONNECTORS	
F	SEE PAGE 1			
REV.	DESCRIPTION	THIS DOCUMENT CONTAINS INFORMATION THAT IS PROPRIETARY TO MOLEX INC. AND SHOULD NOT BE USED WITHOUT WRITTEN PERMISSION		
DOCUMENT NUMBER PS-121201-001			FILENAME PS-121201-001-F.doc	SHEET 10 of 20
ES-40000-3996 REV. A SHEET 3 95/MAR/10 EC U5-0926 DCBRD03.LWP				



Appendix 1



Derating curve for 1.5 mm² cable

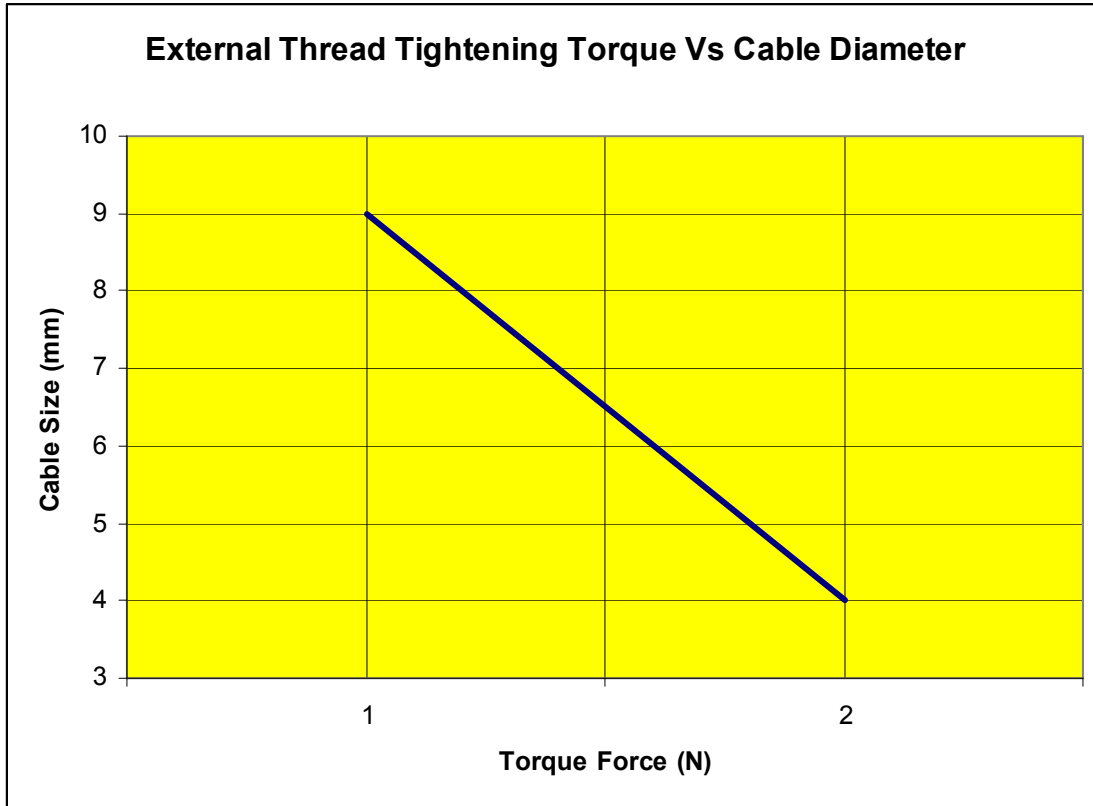


Derating curve for 0.75 mm² cable

REVISE ON PC ONLY:		TITLE:	PRODUCT SPECIFICATION FOR DIN VALVE CONNECTORS	
F	SEE PAGE 1			
REV. DESCRIPTION		THIS DOCUMENT CONTAINS INFORMATION THAT IS PROPRIETARY TO MOLEX INC. AND SHOULD NOT BE USED WITHOUT WRITTEN PERMISSION		
DOCUMENT NUMBER PS-121201-001		FILENAME PS-121201-001-F.doc	SHEET 11 of 20	
ES-40000-3996 REV. A SHEET 3 95/MAR/10 EC U5-0926 DCBRD03.LWP				



Appendix 2



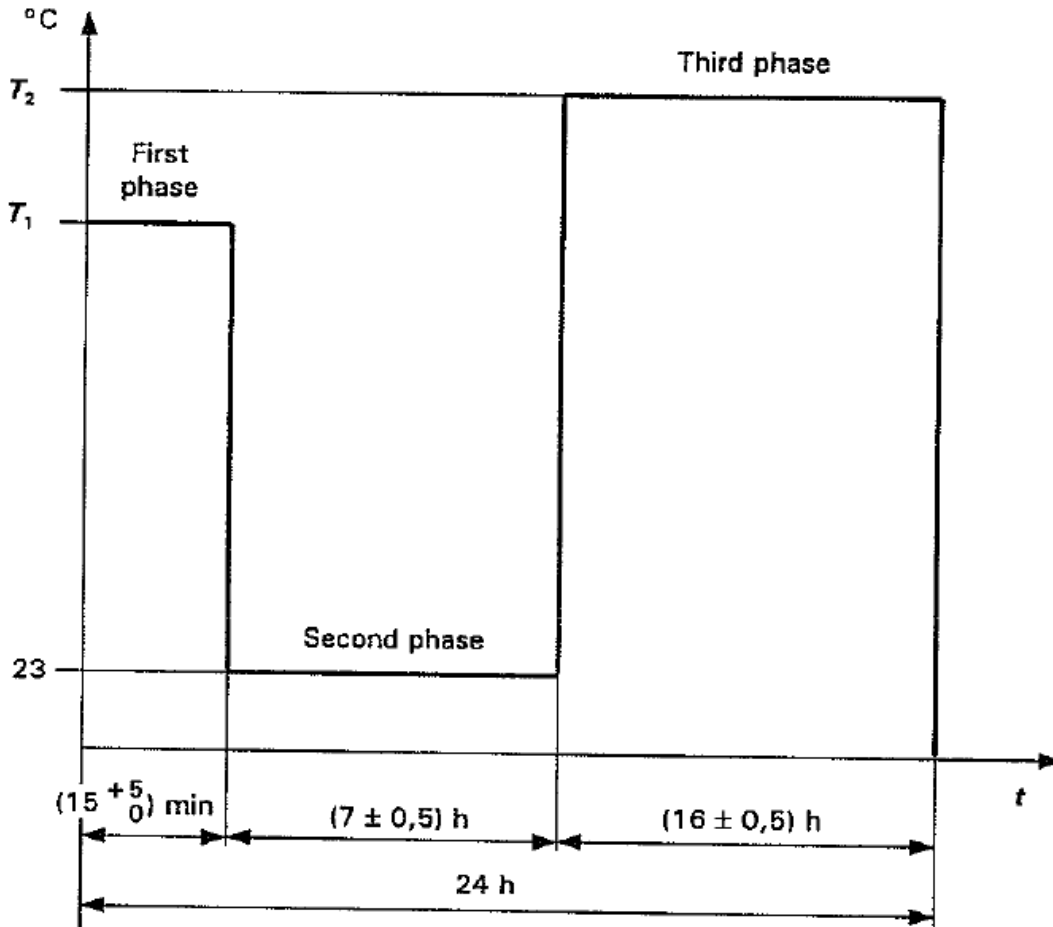
Graph showing external thread tightening torque force's for Form A & B.

*Note; For form C and C Micro the tightening torque force is 0.5N Minimum 0.6 N maximum.

REVISE ON PC ONLY:		TITLE:	PRODUCT SPECIFICATION FOR DIN VALVE CONNECTORS	
F	SEE PAGE 1			
REV.	DESCRIPTION	THIS DOCUMENT CONTAINS INFORMATION THAT IS PROPRIETARY TO MOLEX INC. AND SHOULD NOT BE USED WITHOUT WRITTEN PERMISSION		
DOCUMENT NUMBER PS-121201-001		FILENAME PS-121201-001-F.doc	SHEET 12 of 20	
ES-40000-3996 REV. A SHEET 3 95/MAR/10 EC U5-0926 DCBRD03.LWP				



Appendix 3

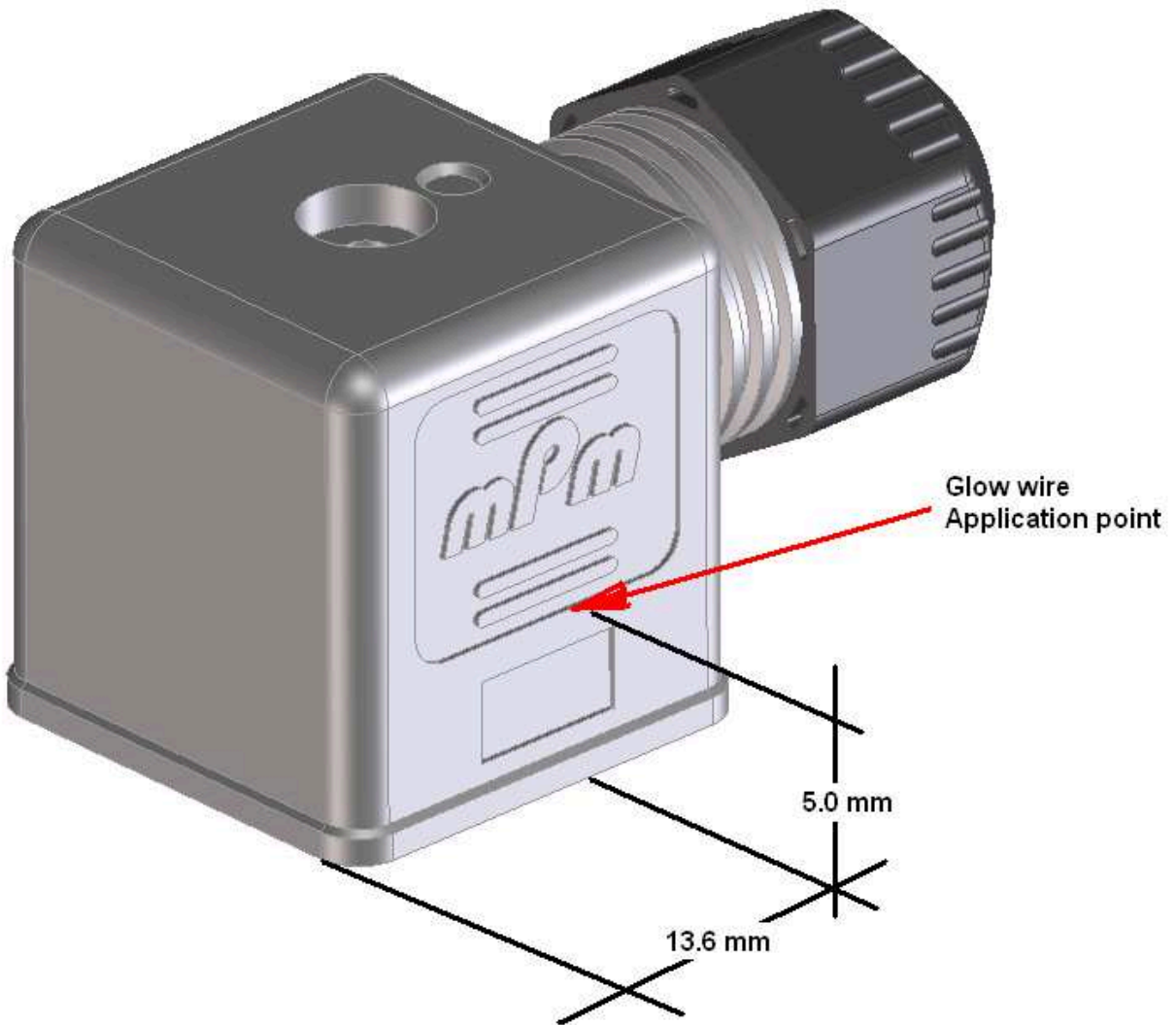


Example of test cycle

REVISE ON PC ONLY:		TITLE:	PRODUCT SPECIFICATION FOR DIN VALVE CONNECTORS	
F	SEE PAGE 1			
REV.	DESCRIPTION	THIS DOCUMENT CONTAINS INFORMATION THAT IS PROPRIETARY TO MOLEX INC. AND SHOULD NOT BE USED WITHOUT WRITTEN PERMISSION		
DOCUMENT NUMBER PS-121201-001			FILENAME PS-121201-001-F.doc	SHEET 13 of 20
ES-40000-3996 REV. A SHEET 3 95/MAR/10 EC U5-0926 DCBRD03.LWP				



Appendix 4



Glow wire test setup

*Note; height correct for form A, B and C.

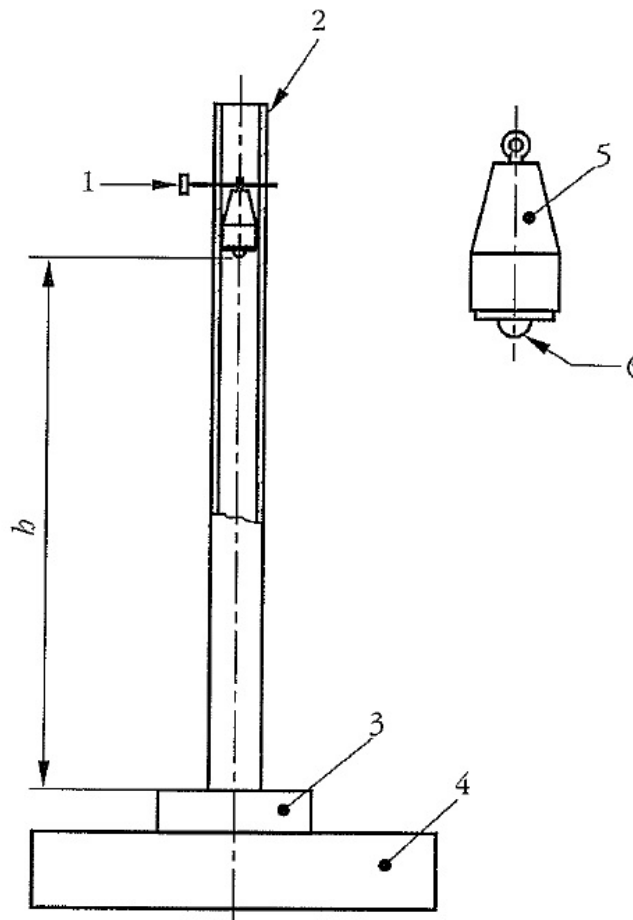
REVISE ON PC ONLY:		TITLE:	PRODUCT SPECIFICATION FOR DIN VALVE CONNECTORS	
F	SEE PAGE 1			
REV.	DESCRIPTION	THIS DOCUMENT CONTAINS INFORMATION THAT IS PROPRIETARY TO MOLEX INC. AND SHOULD NOT BE USED WITHOUT WRITTEN PERMISSION		
DOCUMENT NUMBER PS-121201-001			FILENAME PS-121201-001-F.doc	SHEET 14 of 20
ES-40000-3996 REV. A SHEET 3 95/MAR/10 EC U5-0926 DCBRD03.LWP				



Appendix 5

KEY

- 1 Adjustment pin
 - 2 Plastics guide tube
 - 3 Test piece
 - 4 Steel base (mass ≥ 20 kg)
 - 5 Steel mass
 - 6 Hardened steel impact head 25 mm diameter
- h* is the height of fall



Atex impact test setup

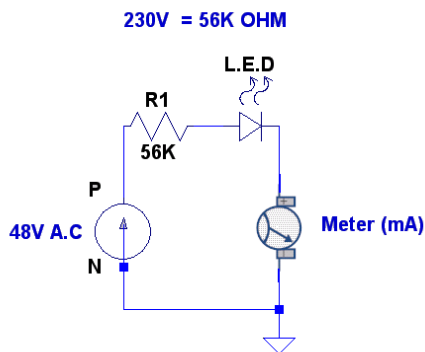
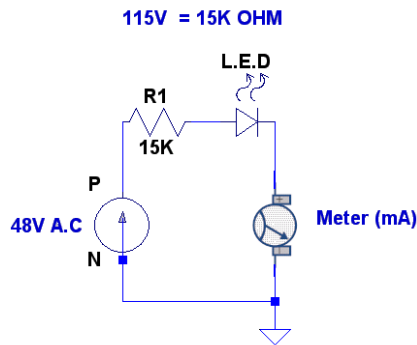
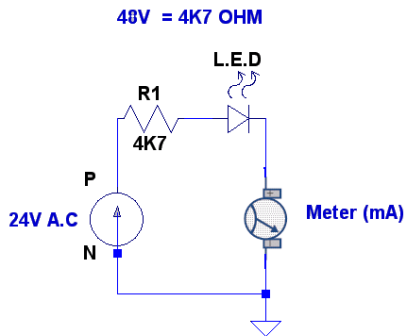
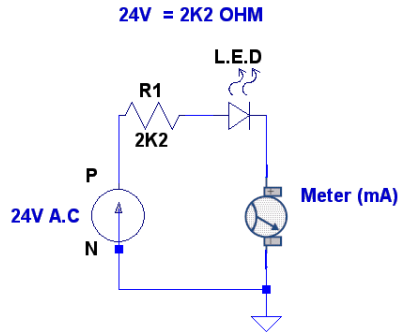
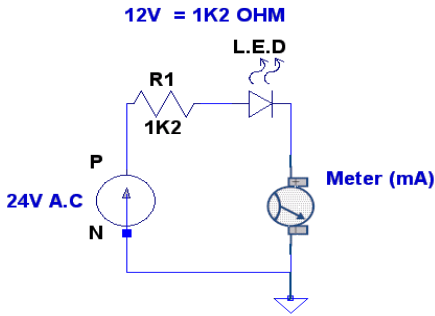
*Note; height correct for form A & B, no type C options available.

REVISE ON PC ONLY:		TITLE:	PRODUCT SPECIFICATION FOR DIN VALVE CONNECTORS	
F	SEE PAGE 1			
THIS DOCUMENT CONTAINS INFORMATION THAT IS PROPRIETARY TO MOLEX INC. AND SHOULD NOT BE USED WITHOUT WRITTEN PERMISSION				
REV.	DESCRIPTION	DOCUMENT NUMBER	FILENAME	SHEET
		PS-121201-001	PS-121201-001-F.doc	15 of 20
ES-40000-3996 REV. A SHEET 3 95/MAR/10 EC U5-0926 DCBRD03.LWP				



Appendix 6

Voltage (V)	Resistor	Test Voltage	Current Reading (mA)	Tolerance (mA)
12	1K2	24V AC	19.00	+/- 15%
24	2K2	24V AC	10.36	+/- 15%
48	4K7	48V AC	4.85	+/- 15%
115	15K	48V AC	7.58	+/- 15%
230	56K	48V AC	4.08	+/- 15%



REVISE ON PC ONLY:		TITLE:	PRODUCT SPECIFICATION FOR DIN VALVE CONNECTORS	
F	SEE PAGE 1			
REV.	DESCRIPTION	THIS DOCUMENT CONTAINS INFORMATION THAT IS PROPRIETARY TO MOLEX INC. AND SHOULD NOT BE USED WITHOUT WRITTEN PERMISSION		
DOCUMENT NUMBER PS-121201-001			FILENAME PS-121201-001-F.doc	SHEET 16 of 20
ES-40000-3996 REV. A SHEET 3 95/MAR/10 EC U5-0926 DCBRD03.LWP				



Appendix 7.0

Test Ref.	Item	Test Condition	Requirements
AP2.2	9.1	The largest conductor size see table 1, shall be stripped re-shaped and then inserted into the terminal block	The conductor shall enter the the clamping unit completely without undue force
AP2.2	9.2	Three terminal blocks shall have new conductors fitted as per table 1 until they just protrude through the terminal block. They shall be positioned in such a way as to most likely allow wires to escape and then tightened to the specified torque	No wire of the conductor shall have escaped outside the clamping unit in such a manner as to reduce the creepage and clearance distances
AP2.2	9.4	Three clamping units of both the smallest and largest conductor size shall be terminated with a conductor of length H, + 75mm. The terminated conductor shall be suspended a distance H +/- 15mm from a platen with a hole in the bushing with a centreline which describes a circle of 75mm in diameter. The platen is rotated a 10 +/- 2 rotations a minute for 15 minutes. The conductor will have a mass suspended from its end. See table 2 for weights and dimensions and figure 1 for test apparatus setup.	During the test the conductor shall not slip from the terminal block
AP2.2	9.5	After test 9.4 a steady pulling force shall be applied to each connection as outlined in table 3 below for 1 min	During the test the conductor shall not slip from the terminal block
AP2.2	9.6	The terminal block screw is tightened and loosened five times on any conductor on the max or min conductor size. A new conductor is used each time the screw is loosened.	During the test the terminal block and screw shall not be damaged

REVISE ON PC ONLY:		TITLE:	PRODUCT SPECIFICATION FOR DIN VALVE CONNECTORS	
F	SEE PAGE 1			
THIS DOCUMENT CONTAINS INFORMATION THAT IS PROPRIETARY TO MOLEX INC. AND SHOULD NOT BE USED WITHOUT WRITTEN PERMISSION				
REV.	DESCRIPTION		FILENAME	SHEET
	DOCUMENT NUMBER PS-121201-001		PS-121201-001-F.doc	17 of 20
ES-40000-3996 REV. A SHEET 3 95/MAR/10 EC U5-0926 DCBRD03.LWP				



*Note: Terminal tightening torque for all tests is 0.4Nm

Table 1, Conductor cross section Vs conductor diameter

Conductor cross section	Theoretical diameter of the conductor	
	Solid	Stranded
mm ²	mm	mm
0.75	1.0	1.2
1.50	1.5	1.7

Table 2 Mass Vs conductor cross sectional area

Conductor Cross Section	Diameter of bushing hole	Height H	Mass attached to conductor
Mm ²	mm	mm	Kg
0.75	6.5	260	0.4
1.55	6.5	260	0.4

Table 3 Pull force Vs conductor cross sectional area.

Cross Sectional Area mm ²	0.75	1.55
Pull Force N	30	40

REVISE ON PC ONLY:		TITLE:	PRODUCT SPECIFICATION FOR DIN VALVE CONNECTORS	
F	SEE PAGE 1			
REV.	DESCRIPTION	THIS DOCUMENT CONTAINS INFORMATION THAT IS PROPRIETARY TO MOLEX INC. AND SHOULD NOT BE USED WITHOUT WRITTEN PERMISSION		
DOCUMENT NUMBER PS-121201-001		FILENAME PS-121201-001-F.doc	SHEET 18 of 20	
ES-40000-3996 REV. A SHEET 3 95/MAR/10 EC U5-0926 DCBRD03.LWP				

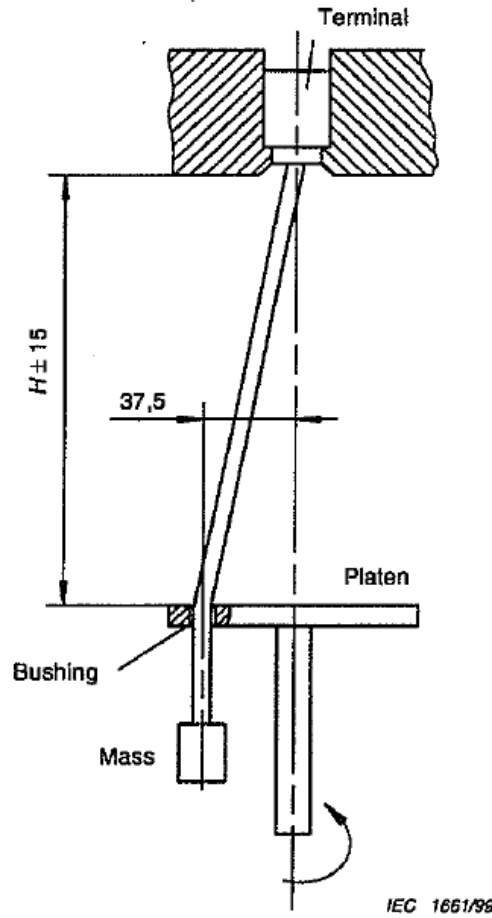


Figure 1 – Test apparatus according to 9.4

REVISE ON PC ONLY:		TITLE:	<p align="center">PRODUCT SPECIFICATION FOR DIN VALVE CONNECTORS</p>	
F	SEE PAGE 1			
THIS DOCUMENT CONTAINS INFORMATION THAT IS PROPRIETARY TO MOLEX INC. AND SHOULD NOT BE USED WITHOUT WRITTEN PERMISSION				
REV.	DESCRIPTION			
DOCUMENT NUMBER PS-121201-001			FILENAME PS-121201-001-F.doc	SHEET 19 of 20
ES-40000-3996 REV. A SHEET 3 95/MAR/10 EC U5-0926 DCBRD03.LWP				



Appendix 8.0

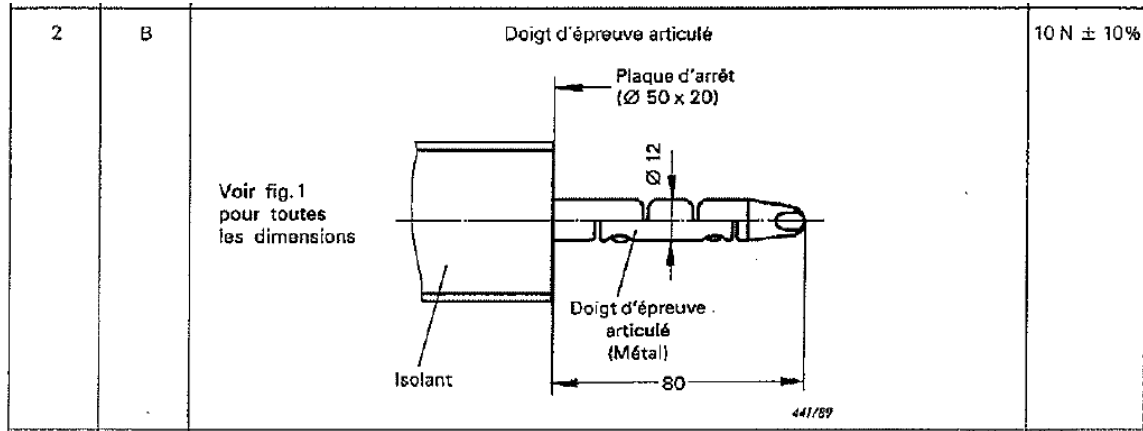


Figure 2, above shows the test probe to be used during test section BP5

REVISE ON PC ONLY:		TITLE:	PRODUCT SPECIFICATION FOR DIN VALVE CONNECTORS	
F	SEE PAGE 1	THIS DOCUMENT CONTAINS INFORMATION THAT IS PROPRIETARY TO MOLEX INC. AND SHOULD NOT BE USED WITHOUT WRITTEN PERMISSION		
REV.	DESCRIPTION			
DOCUMENT NUMBER PS-121201-001				
ES-40000-3996 REV. A SHEET 3 95/MAR/10 EC U5-0926 DCBRD03.LWP				