



SALES PACKAGING SPECIFICATION



LANGUAGE

JAPANESE
ENGLISH

1. 製品名称/PRODUCT NAME : 1.0 WIRE TO BOARD CONN. REC HOUSING

製品番号/PART NUMBER : 5 0 1 1 8 9 - * * 1 0

5 0 1 1 8 9 - * * 1 1

5 0 1 1 8 9 - * * 1 2

5 0 1 1 8 9 - * * 1 4

5 0 1 1 8 9 - * * 1 6

5 0 1 1 8 9 - * * 3 0

(* * は極数を示す)

(* * IS CIRCUITS SIZE)

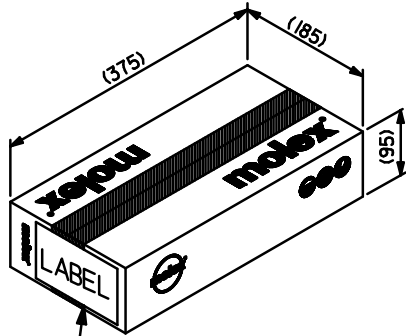
2. 標準梱包数/STANDARD PACK QUANTITY

極数 CKT. SIZE	ポリ袋 POLY BAG	内装カートン PRIMARY CARTON		外装カートン SHIPPING CARTON
	1袋中の製品数 QTY. IN ONE BAG	ポリ袋の数 NUMBER OF POLY BAGS	製品数 QUANTITY	製品数 (内装カートン X 4) QUANTITY (PRIMARY CARTON X 4)
20	500	10	5,000	20,000
30	500	8	4,000	16,000
40	500	6	3,000	12,000
50	500	4	2,000	8,000

REV.	F			
SHEET	1~2			
REVISE ON PC ONLY		TITLE:		
F	REVISED J2011-1578 '11/05/25 T.KAKIMOTO		5 0 1 1 8 9 梱包仕様書 SALES PACKAGING SPEC. FOR 501189	
	THIS DOCUMENT CONTAINS INFORMATION THAT IS PROPRIETARY TO MOLEX INC. AND SHOULD NOT BE USED WITHOUT WRITTEN PERMISSION			
REV.	DESCRIPTION			
DESIGN CONTROL J		STATUS	WRITTEN BY: Y.TOKUZONO	CHECKED BY: T.HARUYAMA
			APPROVED BY: N.UKITA	DATE : YR/MO/DAY 2004/11/22
DOCUMENT NUMBER SPK-501189-001			FILE NAME SPK501189001.doc	SHEET 1 of 2



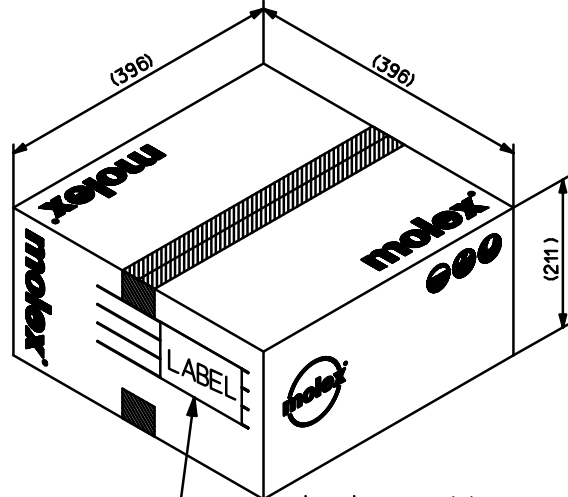
3.カートン外形参考寸法/CARTON OUTER DIMENSIONS (REFERENCE PURPOSE ONLY)



カートンラベル
CARTON LABEL

(製品型番, 数量, ロットNO. 表示)
INDICATION OF PART No., QUANTITY, LOT No.

内装カートン
PRIMARY CARTON



カートンラベル
CARTON LABEL

(製品型番, 数量, ロットNO. 表示)
INDICATION OF PART No., QUANTITY, LOT No.

外装カートン
SHIPPING CARTON

REV. DESCRIPTION	REVISE ON PC ONLY	TITLE: 501189 梱包仕様書 SALES PACKAGING SPEC. FOR 501189 THIS DOCUMENT CONTAINS INFORMATION THAT IS PROPRIETARY TO MOLEX INC. AND SHOULD NOT BE USED WITHOUT WRITTEN PERMISSION	FILE NAME SPK501189001.doc	SHEET 2 of 2
	F SEE SHEET 1 OF 2			
DOCUMENT NUMBER SPK-501189-001				