

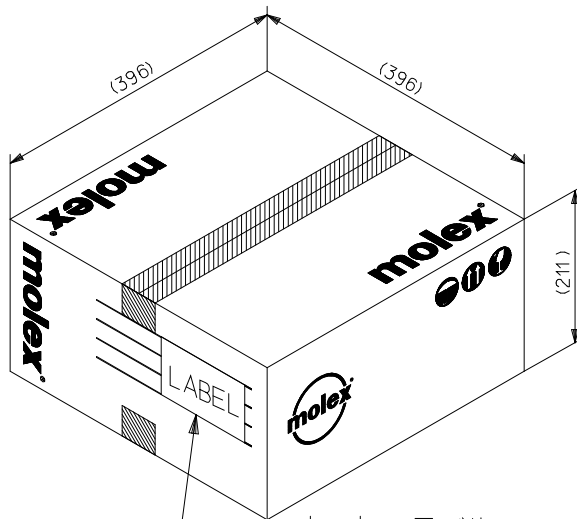
1. 製品名称／PRODUCT NAME : KK 3.96 WAFER ASS'Y WITH LOCK
 製品番号／PART NUMBER : 5 2 7 3 - N A
 5 2 7 3 - N A 3
 (Nは極数を示す)
 (N IS CIRCUITS SIZE)

2. 標準梱包数／STANDARD PACKAGING QUANTITY

極 数 CKT. SIZE	ポリ袋 POLY BAG	外装カートン SHIPPING CARTON	
	1袋中の製品数 QUANTITY IN ONE BAG	ポリ袋の数 NUMBER OF POLY BAG	製品数 QUANTITY
2	1,000	15	15,000
3	1,000	8	8,000
4	500	12	6,000
5	500	10	5,000
6	500	8	4,000
7	500	8	4,000
8	500	6	3,000
9	500	6	3,000
10	500	6	3,000
11	200	10	2,000
12	200	10	2,000

REV.	B								
SHEET	1~2								
REVISE ON PC ONLY				TITLE:					
B	REVISED J2014-0797 2013/11/08 T.NAKAGAWA			5 2 7 3 梱包仕様書 SALES PACKAGING SPEC. FOR 5273					
	THIS DOCUMENT CONTAINS INFORMATION THAT IS PROPRIETARY TO MOLEX INC. AND SHOULD NOT BE USED WITHOUT WRITTEN PERMISSION								
REV.	DESCRIPTION								
DESIGN CONTROL J		STATUS		WRITTEN BY: T.SUZUKI	CHECKED BY: T.HARUYAMA	APPROVED BY: N.UKITA	DATE: YR/MO/DAY 2006/07/12		
DOCUMENT NUMBER SPK-5273-001							FILE NAME SPK5273001.docx	SHEET 1 OF 2	
EN-037(2013-04 rev.1)									

3. カートン外形参考寸法 / CARTON OUTER DIMENSIONS (REFERENCE PURPOSE ONLY) 単位 / UNIT: mm



カートンラベル
CARTON LABEL

(製品型番, 数量, ロットNO. 表示)
INDICATION OF PART No., QUANTITY, LOT No.

外装カートン
SHIPPING CARTON

REVISE ON PC ONLY		TITLE:	
B	SEE SHEET 1 OF 2	5 2 7 3 梱包仕様書 SALES PACKAGING SPEC. FOR 5273	
REV.	DESCRIPTION	THIS DOCUMENT CONTAINS INFORMATION THAT IS PROPRIETARY TO MOLEX INC. AND SHOULD NOT BE USED WITHOUT WRITTEN PERMISSION	
DOCUMENT NUMBER SPK-5273-001		FILE NAME SPK5273001.docx	SHEET 2 OF 2
EN-037(2013-04 rev.1)			